



Lutron shading solutions | product guide

- Serena®
- Sivoia® QS Triathlon®
- Sivoia QS
- Sivoia QS Wireless



Transforming daylight..... 01  
 Product line ..... 02  
 Innovations in daylight control..... 03  
 Electronic drive unit ..... 04  
 Shade Configuration Tool..... 05

**Sivoia® QS Triathlon®/Serena®**

**NEW Battery-powered roller shades**

System overview ..... 07  
 Dimensions..... 11

**Battery-powered insulating honeycomb shades**

System overview ..... 15  
 Dimensions..... 17

**Sivoia QS/Sivoia QS Wireless**

**Roller shades**

System selection process ..... 21  
 Overview ..... 23  
 roller 20™ ..... 25  
 roller 64™ ..... 27  
 roller 100™/roller 150™/roller 300™  
 with LIFT™ ..... 29  
 Angled coupler ..... 35  
 WIDR tube option ..... 36  
 roller 225™ ..... 37  
 Large pocket ..... 39  
 Custom pocket..... 40  
 Cable-guided shades ..... 41  
 Manual shades ..... 42  
 Applications..... 43

**Hyperion® solar-adaptive shading**

Commercial total light control ..... 45  
 System overview ..... 46  
 System components ..... 47  
 Example ..... 49

**Tensioned shades**

System selection process ..... 51  
 System overview ..... 53  
 Mounting options..... 54  
 Measuring instructions..... 57

**Drapery track**

System selection process ..... 61  
 System overview ..... 63  
 Mounting options..... 66  
 System installation..... 67  
 Curved ..... 68  
 Track splicing..... 69  
 Manual override carrier ..... 70  
 Pinch pleat drapery panels ..... 71  
 Ripplefold drapery panels ..... 72  
 Finished drapery panels..... 73  
 Cornices..... 74  
 System capacities (D105, D145, D175) ..... 75

**Kirbé® vertical drapery system**

System overview ..... 79  
 System components ..... 81

**Roman shades**

System overview ..... 83  
 Dimensions..... 85

**Venetian blinds**

System overview ..... 87  
 Dimensions..... 89

**NEW Horizontal sheer blinds**

System overview ..... 91  
 Dimensions..... 92

**NEW Pleated and Fashion Honeycomb shades**

System overview ..... 97  
 Dimensions..... 99

**Controls**

seeTouch® keypads ..... 101  
 Engraving options..... 103  
 Technology overview ..... 104  
 Sivoia QS controls  
     seeTouch QS keypads..... 105  
     GRAFIK Eye® QS ..... 106  
 Sivoia QS wireless controls  
     seeTouch QS wireless keypads..... 107  
 RF remote controls ..... 109  
 RadioRA® 2 integration ..... 111

IR remote controls .....	113
Lutron dimmers .....	115
Lutron accessories .....	117

**Wiring**

Overview .....	119
Power panel wiring diagram.....	121
QS Link power supply .....	122
Power panel .....	123
Lutron supplied cable .....	124
Power panel wiring diagram .....	125
Overview .....	126
Power panel .....	127
Lutron supplied cable .....	128

**Integration for total light control**

Single room .....	131
Whole home .....	132
Whole building.....	133
Third-party integration .....	134

**The Lutron Design Collections**

Overview .....	136
Roller fabric rules .....	139
Bottom bars .....	140
Sealed battens .....	141
Soft treatment fabric rules.....	142
Customer's own material .....	143
Stocking categories.....	145

**Specification**

The Lutron difference.....	147
Selection guides	
NEW Pleated and Honeycomb shades .....	149
Roller and tensioned shades.....	151
Roman shades .....	153
Drapery system .....	155
Venetian blinds .....	157
NEW Sivoia QS Triathlon shades .....	159
Horizontal sheer blinds .....	162
Stacking guidelines	
Pleated and Honeycomb shades .....	165
Insulating honeycomb shades .....	166



# Lutron shading solutions | transforming daylight

Lutron has been the world's leading manufacturer of lighting control systems for more than 50 years, seamlessly integrating electric and daylight control systems. We focus on innovation, world-class engineering, and customer service to provide the ideal solution for any specification.

We offer shading solutions for residential and commercial spaces, in order to meet the needs of any application.

## **Residential spaces**

The right light is crucial for adding comfort, creating ambiance, or making a room more versatile. Automated shading solutions, whether on their own or combined with electric light control, can provide sophisticated daylight control.

## **Commercial spaces**

Adding automated shades to a commercial application helps increase comfort and productivity. Depending on the type of fabric chosen, shades can preserve views while cutting glare and thermal heat gain, or block daylight for presentations and privacy.



Choose from our extensive line of shading solutions.

## Roller shades

Roller shades create the perfect light for any space or activity, and are available in sheer, translucent, and blackout fabrics.

## Drapery tracks

Drapery track systems electronically operate pinch pleat or ripplefold fabric panels to elegantly provide quiet, convenient control of daylight.

## Kirbé® vertical drapery system

The unique Kirbé vertical drapery system smoothly rolls fabric up and completely out of the way like a roller shade, while still maintaining the pleats of a traditional drapery.

## Roman shades

CERUS® (cord-eliminating Roman uptake system) Roman shades replace traditional cord construction with sheer uptake bands, creating a more safe, smooth, and reliable shade.

## Venetian blinds

Venetian blinds ensure privacy while still allowing daylight to filter into a space, with the attractive look of 2" wooden, aluminum, or leather slats.

## Tensioned shades

Tensioned shades keep fabric panels taut and parallel to windows at a variety of slopes, providing an ideal solution for skylights and angled windows.

## Cable-guided shades

Cable-guided shades achieve precise shading control by keeping roller shades at the exact angle of a window, as well as prevent shade motion in areas of high airflow.

## Horizontal sheer blinds

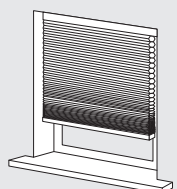
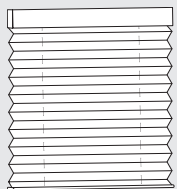
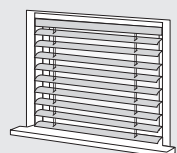
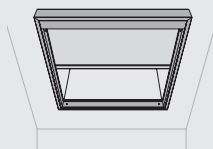
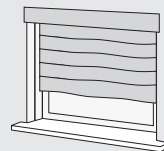
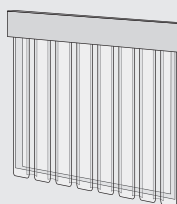
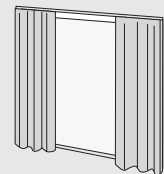
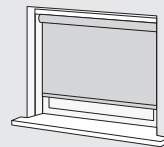
Horizontal sheer blinds combine fabric vanes and sheer layers to provide the perfect blend of filtered sunlight inside a space and view to the outside, while maximizing control of both.

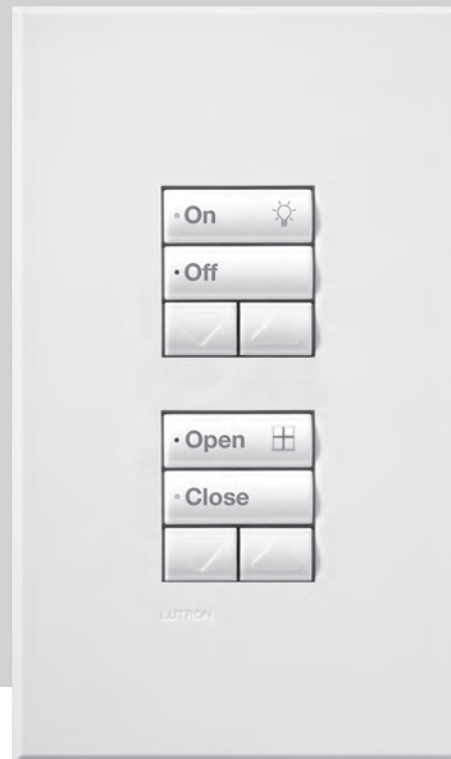
## Pleated shades

Pleated shades lend a crisp, modern style to any space, and are available in a wide array of fabric options for a signature look.

## Honeycomb shades

Honeycomb shades add dimension to a space thanks to their cellular design, while their air pockets trap heat, providing superior insulation.





### Quality and performance

The Lutron family of shading solutions offers convenience at the touch of a button with quiet electronic drives that operate shades smoothly and in precise alignment.

### Ultra-quiet electronic drive

Our quiet electronic drive operates roller shades and draperies at a near-silent level rated at 38 dBA at 3 ft (1 m) (roller 20™ operates at 44 dBA and roller 300™ operates at 50 dBA).

### Intelligent control

The Lutron electronic drive unit (EDU) optimizes shade, blind, and drapery adjustments through programmable presets that you save and recall from an intuitive keypad.

seeTouch® keypad

### Simplified installation

Our shading systems can be configured and reprogrammed at the point of control without any rewiring, without access to the EDU, and without the use of a group controller. The mounting brackets allow an installer to adjust the shade's level, projection, and side-to-side position, all after the shade has been installed.

### Integration of daylight and electric light

Lutron lighting control systems work together with our controllable shading systems to offer complete control of all the light in any space. Adjust shades and draperies in conjunction with electric light levels to create the right light for any mood or activity.

## Electronic Drive Unit (Sivoia® QS shown)

(operates roller shades, Roman shades, Kirbé® vertical drapery systems, tensioned shades, and Venetian blinds with independent lift and tilt)

### Communications circuit

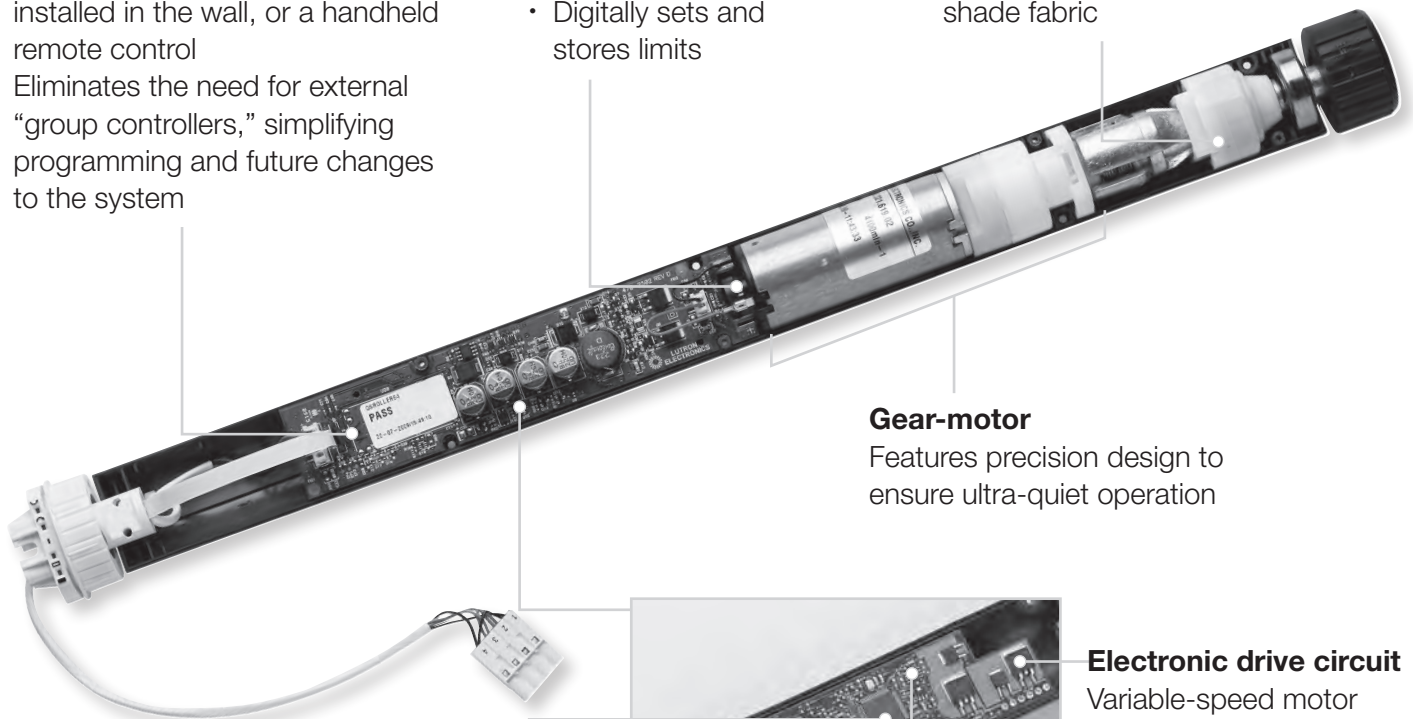
- Addresses, programs, and reconfigures the system from any system component: the EDU mounted in the ceiling, keypad installed in the wall, or a handheld remote control
- Eliminates the need for external “group controllers,” simplifying programming and future changes to the system

### Hall effect sensor

- Measures motor position to ensure shades move in unison and in precise alignment
- Digitally sets and stores limits

### Protection against electrostatic discharge

Provides safe, controlled discharge of potentially damaging static created by shade fabric



### Gear-motor

Features precision design to ensure ultra-quiet operation

### Electronic drive circuit

Variable-speed motor drive ensures silent, accurate control

Back of circuit board

### Microprocessor

- Provides smooth, consistent shade movement. Shades align and track together.
- Eliminates audible starts and stops
- Stores precise, user-defined preset levels for each keypad

### 10-year power failure memory

Records motor movements to ensure that position is accurately saved even if the EDU is active when power is interrupted



## Drapery track EDU

Drapery track EDU internal components are similar to that of a roller shade—reconfigured to fit into a slim profile drapery motor while maintaining the quiet precision of Lutron controllable shades.

For additional drapery track information, see page 61.







Lutron battery-powered shades offer incredible value at an affordable price, backed by the quality of the Lutron brand. These shades add convenience, enhance décor, and save energy—all at the touch of a button. These shades are also available as a shade-only solution (Serena®) or as part of a whole-home control system (Sivoia® QS Triathlon®).

## **Add convenience**

- Adjust shades with a wire-free handheld or wall-mounted control from anywhere in the room
- A single button press adjusts hard-to-reach window treatments
- Shades operate quietly to prevent disruption in any space
- Cord-free design makes this solution safe for homes with young children or pets

## **Enhance your décor**

- Choose from beautiful fabrics, colors, styles, and textures
- Give your room a crisp, clean look that complements many decorating styles

## **Save energy**

- Lower shades in summer to insulate the space and help reduce cooling costs
- Raise shades in winter to let sun in during the day and lower them at night to trap the day's heat, reducing heating costs

## **Integrate seamlessly**

- Sivoia QS Triathlon shades are the only battery-powered shades available today that integrate seamlessly with a whole-home control system such as RadioRA® 2 or HomeWorks® QS
- Control your shades in conjunction with your lights—and transform your space for any activity

- Shades are available as wide as 96" and as tall as 120", depending on fabric
- Shades use 6-8\* store-bought D-cell batteries, depending on shade size
- Wired power options are also available

## Control options

These shades are offered with the following control options:



The two raise/lower buttons on the seeTouch® keypad let you adjust shades to just the right level (Siovoia® QS Triathlon® only).

seeTouch keypad



This remote has four buttons. Each button can be programmed to a single shade or to a select group of shades that you want to control at the same time.

4-group RF remote control (Serena® only)

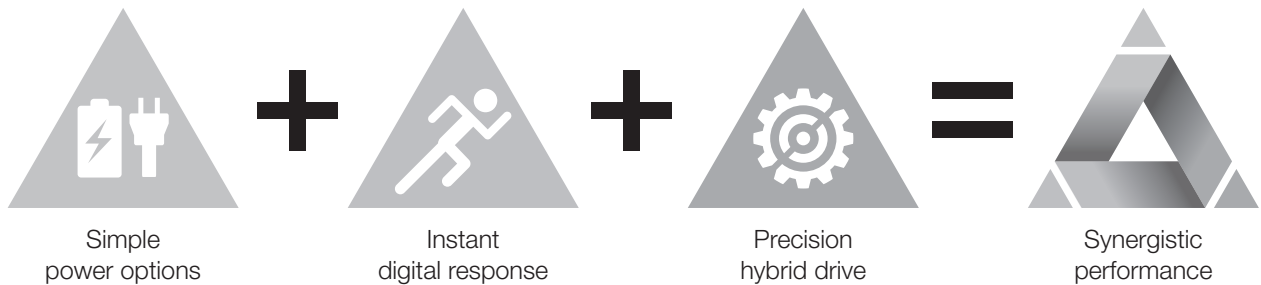


The Pico® wireless control is small enough to leave on a side table without taking up a lot of room.

Pico wireless control

## Long battery life

The shade drive uses Triathlon® power technology. This technology utilizes a hybrid drive design and ultra-efficient standby power, which extends the battery life to 3-5 years\*.



**Simple power options**—Makes installing shades easy and affordable—even if you can't pull wires.

**Instant digital response**—Immediate reliable response to RF system commands, even with battery-powered shades. Shade returns to Eco mode when not in use to preserve power and minimize vampire loads.

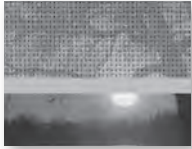
**Precision hybrid drive**—Combines low power requirements with stored energy to move shade while maintaining precision alignment for superior aesthetics.

**Synergistic performance**—Triathlon combines these three elements to deliver the most reliable, power-efficient, shading system available today.

\* The batteries will last 3–5 years on a 3' x 5' light-filtering shade, assuming the shade moves up and down twice a day, 365 days a year.

## Fabric options

Shades are available in a wide variety of fabric colors and textures. Choose from sheer, translucent, and blackout fabrics.



### Sheer

- Open weaves preserve views to outside and filter sunlight
- Ideal for rooms where you don't need complete privacy



### Translucent

- Tighter weaves transform harsh daylight into a soft, filtered glow
- Provides increased privacy for spaces like bathrooms

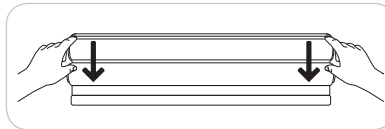


### Blackout

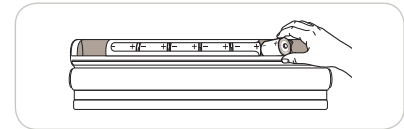
- Opaque fabrics block light from entering the space
- Ideal for bedrooms and media rooms for complete privacy

## Patent-pending headrail design

- Innovative headrail simply tips forward to reveal the battery tray — without taking the shade down



Tip down the headrail.



Change the batteries.



With fascia — closed



With fascia — open



NEW Designer hembar



Headrail — closed



Headrail — open

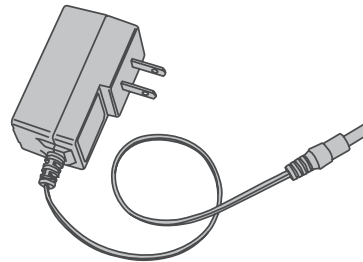
## Manual options


Manual options are available to coordinate with all of your automated window treatments. Contact your local Lutron shades provider or sales representative for details.





## Plug-in power supply

- CSPS-XX-1-6-WH available separately.
- Includes 15 ft (4572 mm) power wire.
- Wiring compartment can be located on either side.



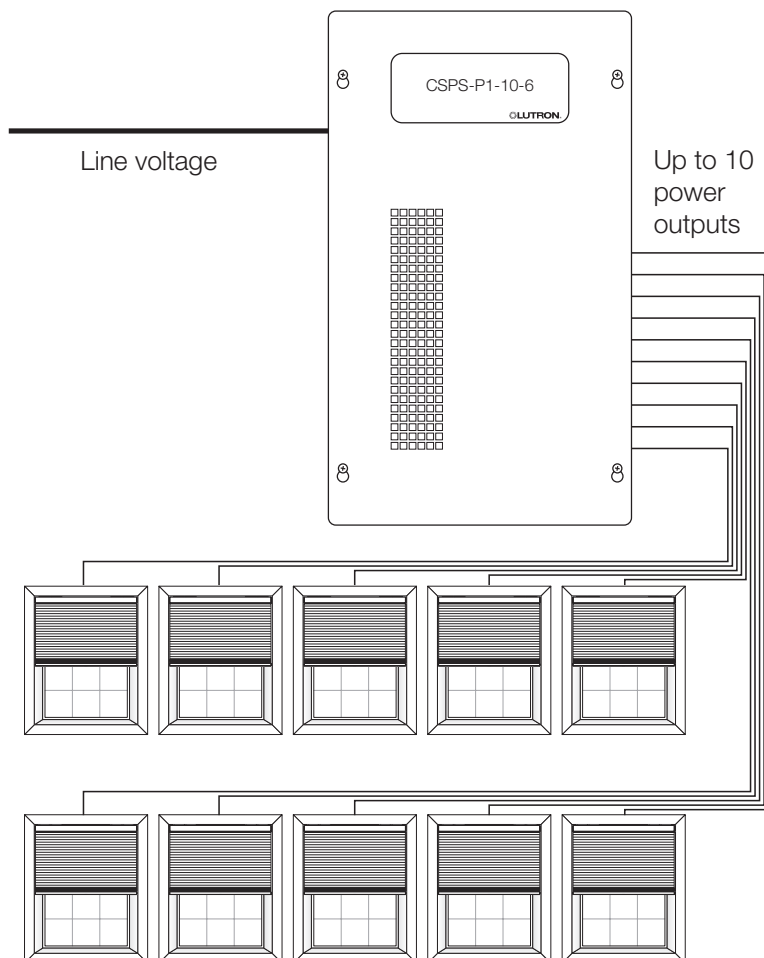
CSPS-P1-1-6-WH = 

CSPS-P2-1-6-WH = 

CSPS-P3-1-6-WH = 

## Power panel\*

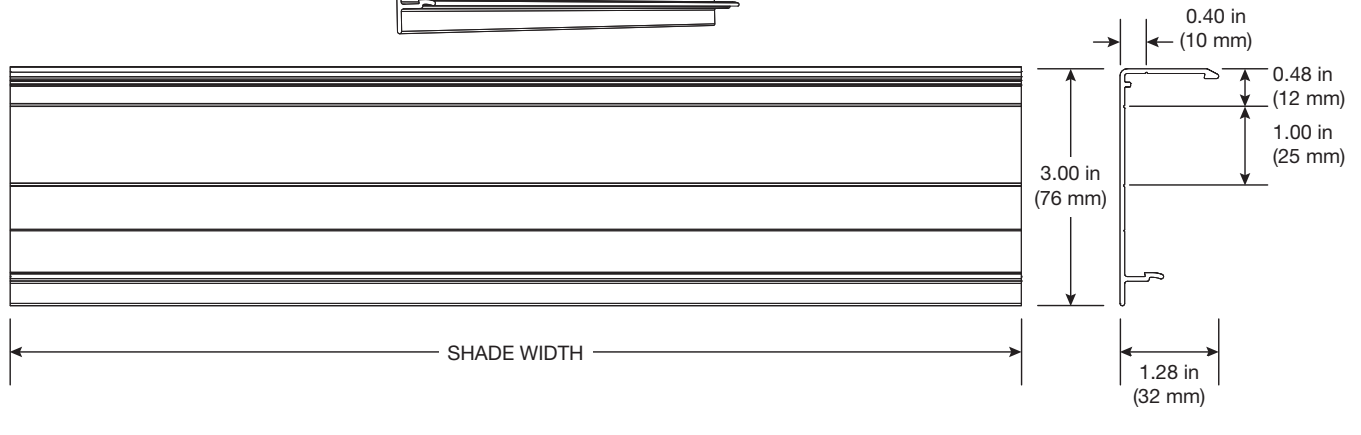
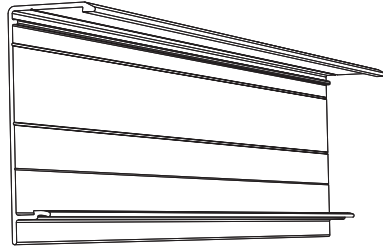
CSPS-P1-10-6 available separately.



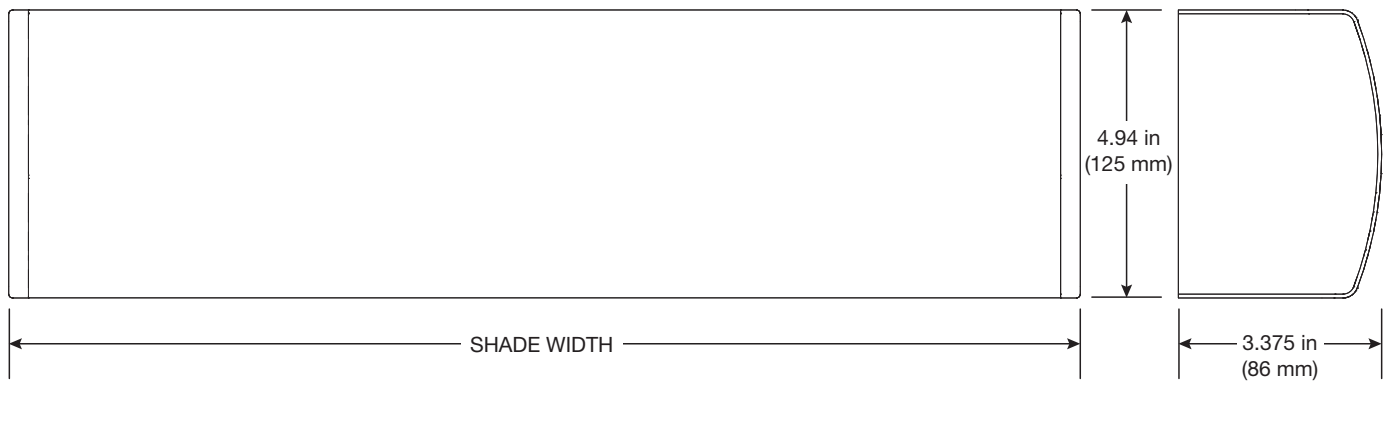
\* Secondary wiring must be of type CL2, CL2P, CL2R, CL2X or other cable with equivalent or better electrical, mechanical, and flammability ratings in accordance with local and national electric code.

**Shade back cover:**

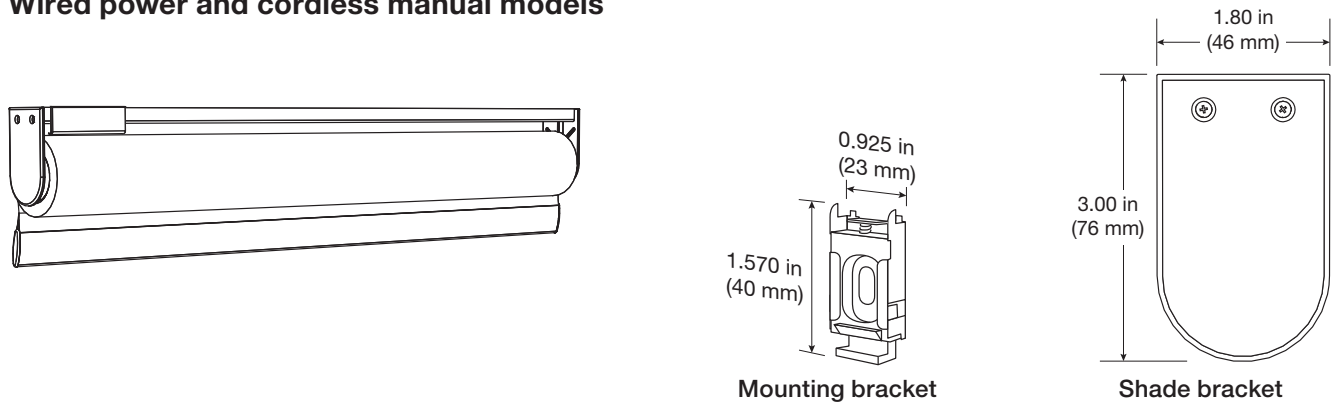
(all battery-powered models; all models with optional fascia)



**Optional fascia with end caps (not available with reverse roll):**

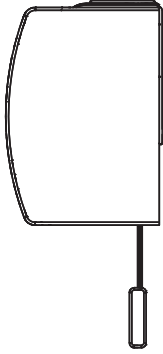


**Wired power and cordless manual models**



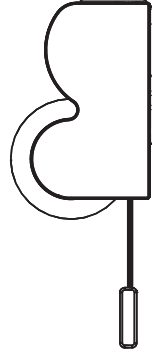
**With fascia**  
Fully recessed

3<sup>3</sup>/<sub>8</sub>"  
(86 mm)



**Without fascia**  
Fully recessed

3<sup>1</sup>/<sub>8</sub>"  
(80 mm)



Please note: For partial recess, the location of the mounting screw is 0.5" (13 mm) in from the back of the bracket for roller shades and .75" (19 mm) for honeycomb shades.





Sivoia® QS Triathlon®/Serena® | insulating honeycomb shades



Lutron battery-powered shades offer incredible value at an affordable price, backed by the quality of the Lutron brand. These shades add convenience, enhance décor, and save energy—all at the touch of a button. These shades are also available as a shade-only solution (Serena®) or as part of a whole-home control system (Sivoia® QS Triathlon®).

## Add convenience

- Adjust shades with a wire-free handheld or wall-mounted control from anywhere in the room
- A single button press adjusts hard-to-reach window treatments
- Shades operate quietly to prevent disruption in any space
- Cord-free design makes this solution safe for homes with young children or pets

## Enhance your décor

- Choose from beautiful fabrics, colors, styles, and textures
- Give your room a crisp, clean look that complements many decorating styles

## Save energy

- Lower shades in summer to insulate the space and help reduce cooling costs
- Raise shades in winter to let sun in during the day and lower them at night to trap the day's heat, reducing heating costs
- Insulate your home effectively with the heat-trapping air pockets of insulating honeycomb shades, which enhance energy efficiency

## Integrate seamlessly

- Sivoia QS Triathlon shades are the only battery-powered shades available today that integrate seamlessly with a whole-home control system such as RadioRA® 2 or HomeWorks® QS
- Control your shades in conjunction with your lights—and transform your space for any activity

## Control options

These shades are offered with the following control options:



seeTouch keypad

The two raise/lower buttons on the seeTouch® keypad let you adjust shades to just the right level (Sivoia QS Triathlon only).



Pico wireless control

The Pico® wireless control is small enough to leave on a side table without taking up a lot of room.

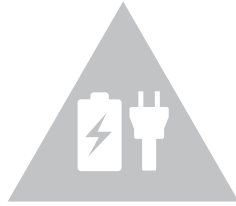


4-group RF remote control (Serena only)

This remote has four buttons. Each button can be programmed to a single shade or to a select group of shades that you want to control at the same time.

## Long battery life

The insulating honeycomb shade drive uses Triathlon® power technology. This technology utilizes a hybrid drive design and ultra-efficient standby power, which extends the battery life to 3 years\*.



Simple power options



Instant digital response



Precision hybrid drive



Synergistic performance

### Simple power options

Makes installing shades easy and affordable—even if you can't pull wires.

### Instant digital response

Immediate reliable response to RF system commands, even with battery-powered shades. Shade returns to Eco mode when not in use to preserve power and minimize vampire loads.

### Precision hybrid drive

Combines low power requirements with stored energy to move shade while maintaining precision alignment for superior aesthetics.

### Synergistic performance

Triathlon combines these three elements to deliver the most reliable, power-efficient, shading system available today.

## Fabric options

Shades are available in different light transmittance options, as well as a variety of colors and textures.



### Sheer

Designer fabrics that allow daylight to transmit through the shade and also allow views to the outside.



### Light-Filtering

Fabrics that allow daylight to transmit through the shade but limit specific views to the outside. Available in single-cell or double-cell options.

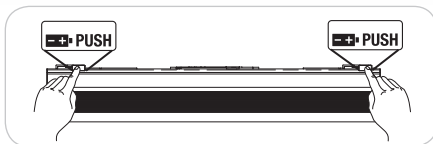


### Room-Darkening

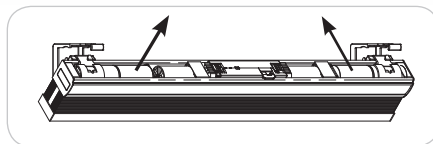
Fabrics that utilize a room-darkening lining to eliminate light transmission through the shade and block views to the outside. Available in single-cell style.

## Patent-pending headrail design

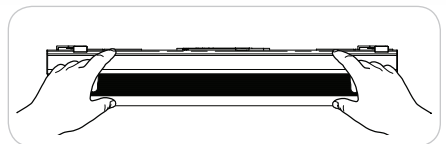
Our exclusive Tap n' Tilt™ technology makes changing the batteries a breeze, without ever removing the shades.



Simply press the release buttons, allowing the headrail to tilt forward.



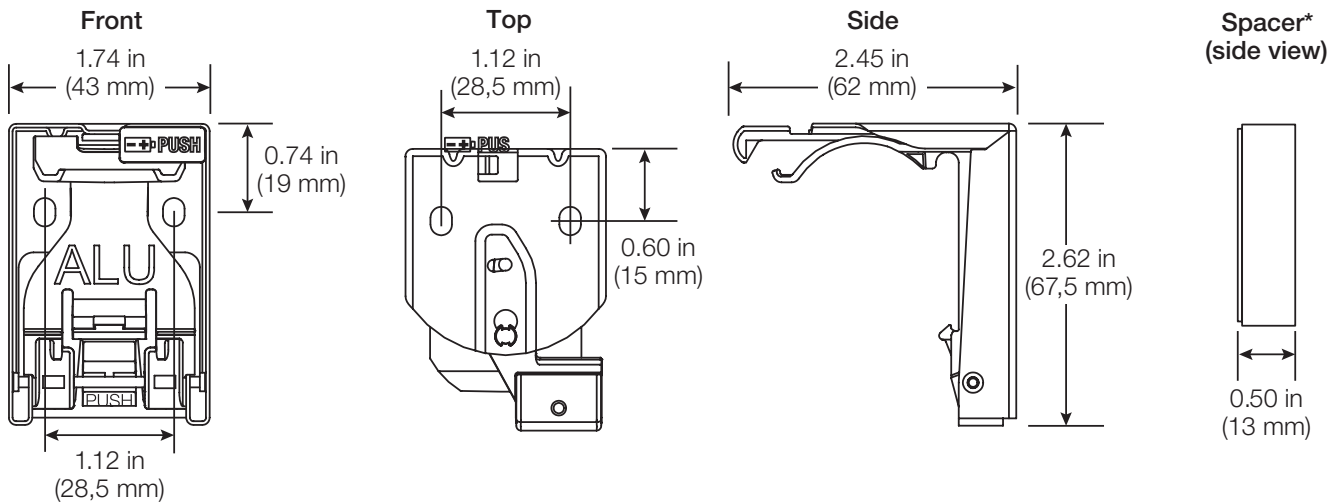
Change the batteries...



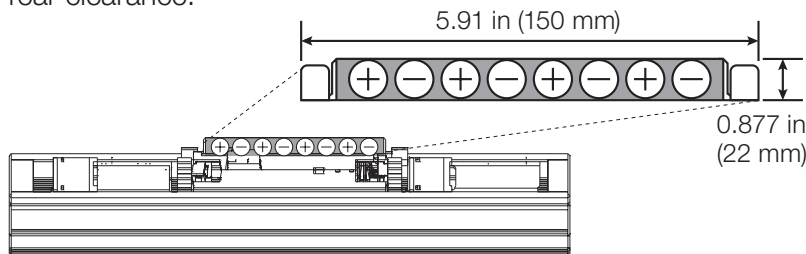
And snap the headrail back in place.

\* The batteries will last 3–5 years on a 3' x 5' light-filtering shade, assuming the shade moves up and down twice a day, 365 days a year.

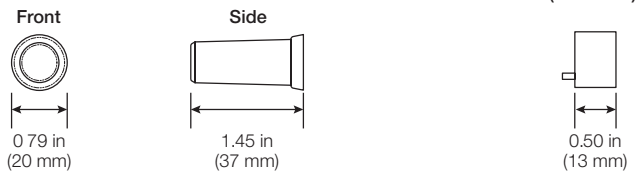
**Tap n' Tilt™ shade brackets**



Shades that are not wide enough to include battery holders within the headrail have a battery holder located on the back of the headrail. Mounting bracket spacers are included to provide additional rear clearance.



**Bottom cable anchors**



\* Spacers are included when outside-mount above/below trim is indicated on the original order, and/or the shade is equipped with an external battery holder.

**Cable-guided applications**

- For vertical outside-mount applications
- Prevent shades from swaying when mounted to doors or in areas of heavy airflow
- Same maximum size (96" x 96") and fabric options as standard honeycomb shades
- Choose from Sienna, Biscuit, or Snow for cable anchor colors to complement paint or hardware colors



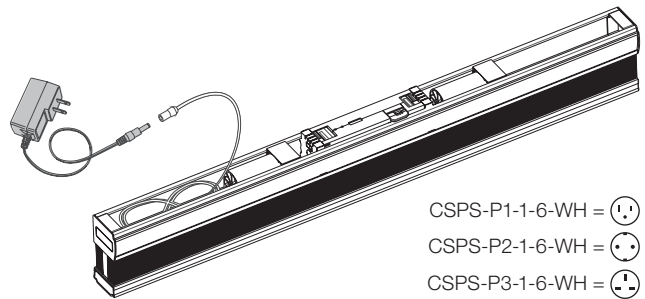
### Manual options

Manual options are available to coordinate with all of your automated window treatments. Contact your local Lutron shades provider or sales representative for details.



### Plug-in power supply

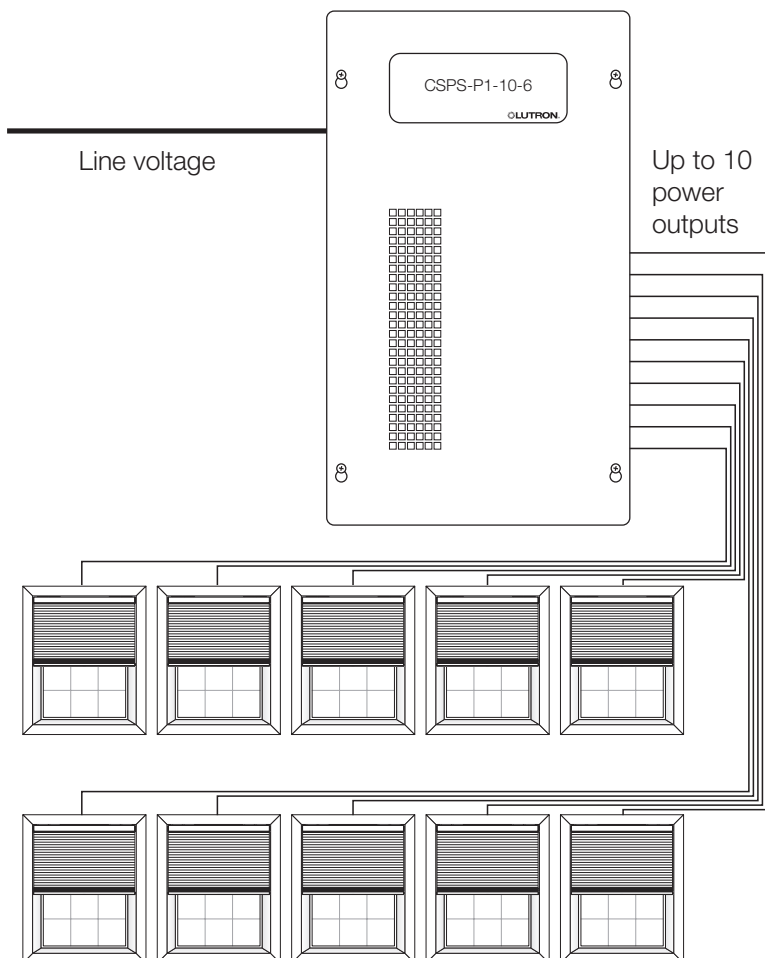
- CSPS-XX-1-6-WH available separately.
- Includes 15 ft (4572 mm) power wire.
- Wiring compartment can be located on either side.



- CSPS-P1-1-6-WH = ☺
- CSPS-P2-1-6-WH = ☹
- CSPS-P3-1-6-WH = ☹

### Power panel\*

CSPS-P1-10-6 available separately.



\* Secondary wiring must be of type CL2, CL2P, CL2R, CL2X or other cable with equivalent or better electrical, mechanical, and flammability ratings in accordance with local and national electric code.

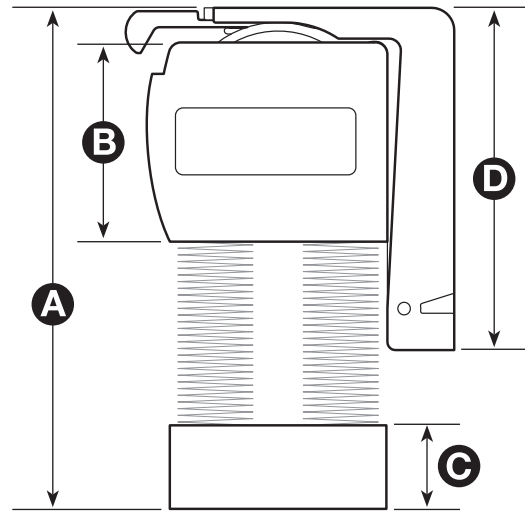
Use these stacking guidelines if you plan on installing your insulating honeycomb shade in a place where you need to raise the entire shade above an obstacle (such as above doors that open). These guidelines will help you determine how high to mount your shade, so that the shade will clear the obstacle when it's fully raised.

**A = Stack height:** the total height of the fully raised shade from the top of the bracket to the bottom of the bottom rail

**B = 1 5/8 in. (42 mm)**—headrail height

**C = 5/8 in. (16 mm)**—bottom rail height

**D = 2 5/8 in. (67 mm)**—bracket height

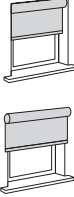


**Dimensions for A**

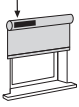
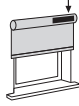


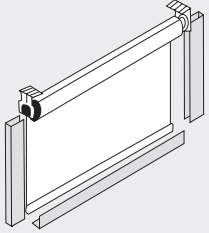
Your Shade Height	Cyprus		Monaco and Rio			Designer Collections		
	Light-Filtering	Room-Darkening	Light-Filtering	Room-Darkening	Double-Cell	Napa	Sedona	Prague
1 ft.	2 3/4 in. (70mm)	2 7/8 in. (74mm)	2 7/8 in. (74mm)	2 7/8 in. (74mm)	3 1/8 in. (80mm)	3 in. (77mm)	2 3/4 in. (70mm)	2 3/4 in. (70mm)
2 ft.	3 in. (77mm)	3 in. (77mm)	3 1/8 in. (80mm)	3 1/8 in. (80mm)	3 1/2 in. (89mm)	3 3/8 in. (86mm)	2 7/8 in. (74mm)	3 in. (77mm)
3 ft.	3 1/8 in. (80mm)	3 1/4 in. (83mm)	3 3/8 in. (86mm)	3 3/8 in. (86mm)	3 7/8 in. (99mm)	3 3/4 in. (96mm)	3 1/8 in. (80mm)	3 1/4 in. (83mm)
4 ft.	3 3/8 in. (86mm)	3 3/8 in. (86mm)	3 5/8 in. (93mm)	3 5/8 in. (93mm)	4 1/4 in. (108mm)	4 1/8 in. (105mm)	3 1/4 in. (83mm)	3 1/2 in. (89mm)
5 ft.	3 5/8 in. (93mm)	3 5/8 in. (93mm)	3 7/8 in. (99mm)	3 7/8 in. (99mm)	4 5/8 in. (118mm)	4 1/2 in. (115mm)	3 1/2 in. (89mm)	3 3/4 in. (96mm)
6 ft.	3 3/4 in. (96mm)	3 3/4 in. (96mm)	4 1/8 in. (105mm)	4 in. (102mm)	5 in. (127mm)	3 3/4 in. (96mm)	3 5/8 in. (93mm)	4 in. (102mm)
7 ft.	4 in. (102mm)	4 in. (102mm)	4 3/8 in. (112mm)	4 1/4 in. (108mm)	5 1/4 in. (134mm)	5 1/8 in. (131mm)	3 3/4 in. (96mm)	4 1/4 in. (108mm)
8 ft.	4 1/8 in. (105mm)	4 1/8 in. (105mm)	4 5/8 in. (118mm)	4 1/2 in. (115mm)	5 5/8 in. (143mm)	5 1/2 in. (140mm)	4 in. (102mm)	4 1/2 in. (115mm)

Note: For fire-rated fabrics, add 10% to stack height.

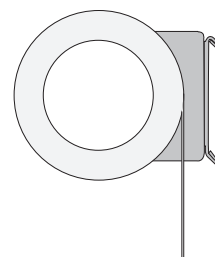
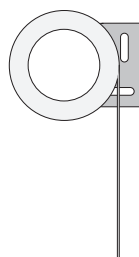
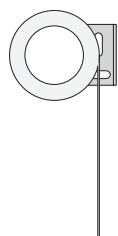


<p>Determine how roller shade will be installed →</p>	<p>Determine which control technology will be used* →</p>	<p>Take system measurements →</p>
<p>Choose one:</p> <ul style="list-style-type: none"> <li><input type="checkbox"/> Inside mount</li> <li><input type="checkbox"/> Outside mount</li> </ul>  <p>Choose one:</p> <ul style="list-style-type: none"> <li><input type="checkbox"/> Wall mount</li> <li><input type="checkbox"/> Ceiling mount</li> <li><input type="checkbox"/> Jamb mount</li> <li><input type="checkbox"/> Pocket mount (Recessed)</li> <li><input type="checkbox"/> Fascia mount</li> </ul>	<ul style="list-style-type: none"> <li><input type="checkbox"/> Sivoia® QS                     <ul style="list-style-type: none"> <li>- Best for whole home, commercial spaces, and lighting integration systems</li> </ul> </li> <li><input type="checkbox"/> Sivoia QS Wireless                     <ul style="list-style-type: none"> <li>- Best for single room and whole home systems, integration with RadioRA® 2 and HomeWorks® QS systems</li> </ul> </li> </ul>	<p>Roller shade size = system width _____ x system height _____ (bracket to bracket)</p> <p><b>Operator required:</b></p> <ul style="list-style-type: none"> <li><input type="checkbox"/> <b>roller 20™</b> For shades up to 20 sq. ft. (1.86 sq. m)</li> <li><input type="checkbox"/> <b>roller 64™</b> For shades up to 64 sq. ft. (5.95 sq. m)</li> <li><input type="checkbox"/> <b>roller 100™</b> For shades up to 100 sq. ft. (9.29 sq. m)</li> <li><input type="checkbox"/> <b>roller 150™ (QS and QS Wireless only)</b> For shades up to 150 sq. ft. (13.9 sq. m)</li> <li><input type="checkbox"/> <b>roller 225™</b> For shades up to 225 sq. ft. (20.9 sq. m)</li> <li><input type="checkbox"/> <b>roller 300™ with Lutron Intelligent Façade Technology ( LIFT™)</b> For shades up to 300 sq. ft. (27.87 sq. m)</li> </ul>



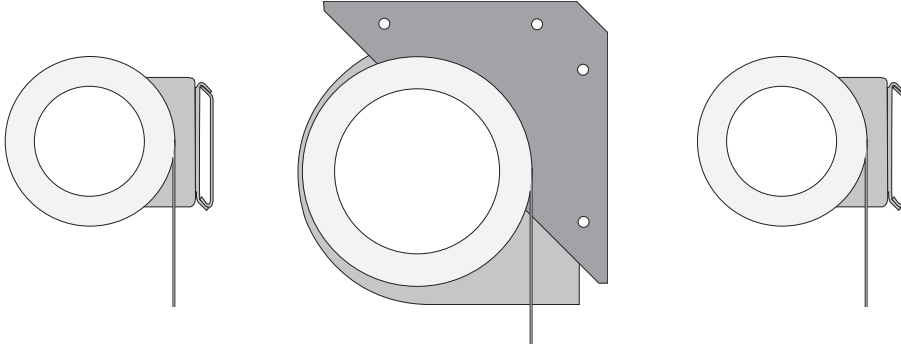
Specify drive location for pre-wiring	Specify fabric roll detail	Specify fabric	Specify lineal requirements
<ul style="list-style-type: none"> <li><input type="checkbox"/> Left drive </li> <li><input type="checkbox"/> Right drive </li> <li><input type="checkbox"/> TBD</li> </ul>	<ul style="list-style-type: none"> <li><input type="checkbox"/> Regular (standard)  glass</li> <li><input type="checkbox"/> Reverse  glass</li> </ul> <p>(recommended for applications where objects such as handles or levers protrude from the window and may interfere with shade travel)</p>	<ul style="list-style-type: none"> <li><input type="checkbox"/> <b>Sheer</b> Fabrics feature open weaves, so sunlight is filtered while preserving the view</li> <li><input type="checkbox"/> <b>Translucent</b> These fabrics permit some light, but are not open weaves, so the view is limited to shapes and shadows</li> <li><input type="checkbox"/> <b>Blackout</b> These fabrics prevent all light from passing through the material</li> </ul>	<ul style="list-style-type: none"> <li><input type="checkbox"/> Fascia and top back cover</li> <li><input type="checkbox"/> Fascia only</li> <li><input type="checkbox"/> Top back cover only</li> <li><input type="checkbox"/> Pocket with flap</li> <li><input type="checkbox"/> Flap and hanger only</li> <li><input type="checkbox"/> No top treatment</li> <li><input type="checkbox"/> TBD</li> </ul>
<p><b>Specify wiring topology</b></p> <ul style="list-style-type: none"> <li><input type="checkbox"/> Individual transformers (recommended for installations requiring local wiring)</li> <li><input type="checkbox"/> Power panel (recommended for installations requiring centralized wiring)</li> </ul>	<ul style="list-style-type: none"> <li><input type="checkbox"/> TBD</li> </ul>		<p><b>Blackout options</b></p> <ul style="list-style-type: none"> <li><input type="checkbox"/> Side channels</li> <li><input type="checkbox"/> Sill angle</li> </ul> 
		<p><b>Bottom bar</b></p> <ul style="list-style-type: none"> <li><input type="checkbox"/> Architectural half wrap</li> <li><input type="checkbox"/> Architectural exposed</li> <li><input type="checkbox"/> Sealed</li> <li><input type="checkbox"/> 1" exposed</li> <li><input type="checkbox"/> Round</li> <li><input type="checkbox"/> Cable-guided</li> <li><input type="checkbox"/> Designer hembar</li> </ul> <p>Some fabrics limit bottom bar selection</p>	<p><b>Metal color</b></p> <ul style="list-style-type: none"> <li><input type="checkbox"/> Bronze</li> <li><input type="checkbox"/> White</li> <li><input type="checkbox"/> Clear Anodized</li> <li><input type="checkbox"/> Black</li> <li><input type="checkbox"/> Light Ivory</li> <li><input type="checkbox"/> Taupe</li> <li><input type="checkbox"/> Slate Grey</li> <li><input type="checkbox"/> Custom</li> </ul> <p>For control options, see page 101.</p>

Illustrations to scale—not actual size



	<b>roller 20™</b> — page 25	<b>roller 64™</b> — page 27	<b>roller 100™</b> — page 29	
<b>Application</b>	A slim profile and narrow width ideal for shallow residential window frames	Ideal for small- to medium-sized windows	Designed for windows approximately 10 ft. (3,048 mm) wide. Allows coupling capability for up to six fabric panels.	
<b>Sound level</b>	44 dBA	38 dBA	38 dBA	
<b>Tube size (diameter of tube only - no shade fabric)</b>	1.25 in. (32 mm)	1.625 in. (41 mm)	2.56 in. (65 mm) or wider	
<b>Lutron-provided pocket size</b>	3.5 in. w x 3.5 in. h (89 mm w x 89 mm h)	3.5 in. w x 3.5 in. h (89 mm w x 89 mm h)	4.75 in. w x 5.0 in. h (121 mm w x 127 mm h)	
<b>Dual pocket size</b> (page 26)	6 in. w x 9 in. h (152 mm w x 229 mm h)	6 in. w x 9 in. h (152 mm w x 229 mm h)	7 in. w x 11 in. h (178 mm w x 279 mm h)	
<b>Typical maximum shade size*</b>	20 sq. ft. (1.86 sq. m)	64 sq. ft. (5.95 sq. m)	100 sq. ft. (9.29 sq. m)	
<b>Minimum bracket-to-bracket width</b>	18.5 in. (470 mm)	18.5 in. (470 mm)	24 in. (610 mm)	
<b>Maximum bracket-to-bracket width</b>	79.5 in. (2019 mm)	97.5 in. (2476 mm)	125 in.** (3175 mm)	

\* Maximum allowable shade size may vary based on fabric selection. Contact customer service or use SCT for actual shade dimensions based on fabric type.

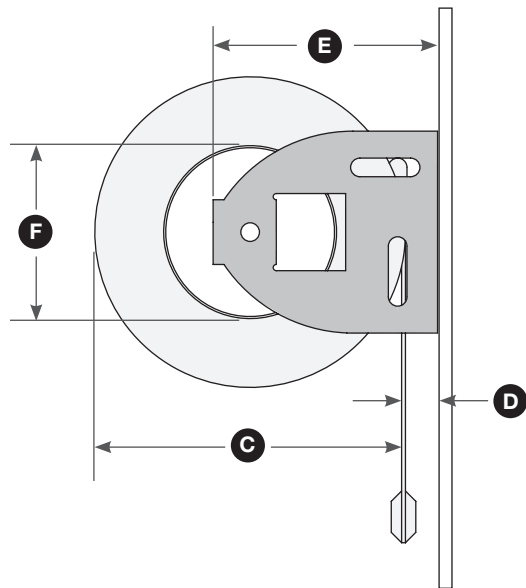
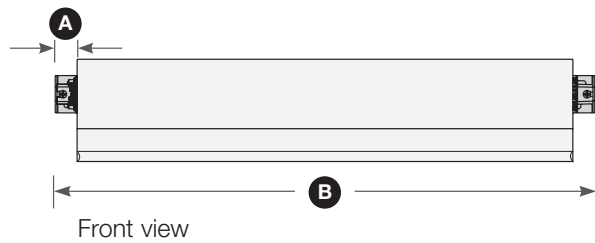


	<b>roller 150™</b> — page 29 (QS and QS Wireless only)	<b>roller 225™</b> — page 37	<b>roller 300™</b> — page 29 (QS and QS Wireless only)
	Designed for tall and coupled shades, when the reduced speed of a 200CW is undesirable. Allows coupling capability for up to six fabric panels.	Provides a heavy-duty bracket and higher torque for much larger applications such as atriums or multi-story windows	Coupled shades and building facades, up to six 5 ft. x 10 ft. panels, approximately 300 sq ft.
	38 dBA	38 dBA	50 dBA
	2.56 in. (65 mm) or wider	3.75 in. (95 mm)	2.56 in. (65 mm) or wider
	4.75 in. w x 5.0 in. h (121 mm w x 127 mm h)	7 in. w x 7 in. h (178 mm w x 178 mm h)	4.75 in. w x 5.0 in. h 121 mm w x 127 mm h)
	7 in. w x 11 in. h (178 mm w x 279 mm h)	8 in. w x 14 in. h (203 mm w x 356 mm h)	7 in. w x 11 in. h (178 mm w x 279 mm h)
	150 sq. ft. (14 sq. m)	225 sq. ft. (20.9 sq. m)	300 sq. ft. (27.87 sq. m) cumulative between all coupled panels
	24 in. (610 mm)	31.75 in. (806 mm) Greater with spring assist	26.5 in. (673 mm) coupled with spring assist: 53.625 (1,362 mm)
	125 in.** (3175 mm)	190 in. (4826 mm)	125 in.** (4572 mm)

\*\*With Integrated Deflection Reduction (WIDR) tube option allows for extra wide shades. Battens may be required on shades over 150" wide. See pg. 36

### System dimensions

The roller 20™ system utilizes a 1.25 in. (32 mm) roller tube to operate up to 20 sq. ft. (1.86 sq. m) of fabric.\*

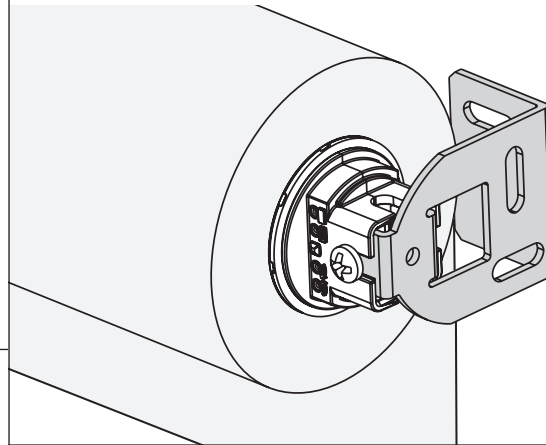


### Dimensions

- A** 0.75 in. (19 mm) symmetrical, minimum
- B** 18.5 in. (470 mm) minimum
- C** 2.5 in. (64 mm)
- D** 0.18 in. (5 mm) minimum
- E** 1.65 in. (42 mm)
- F** 1.25 in. (32 mm)

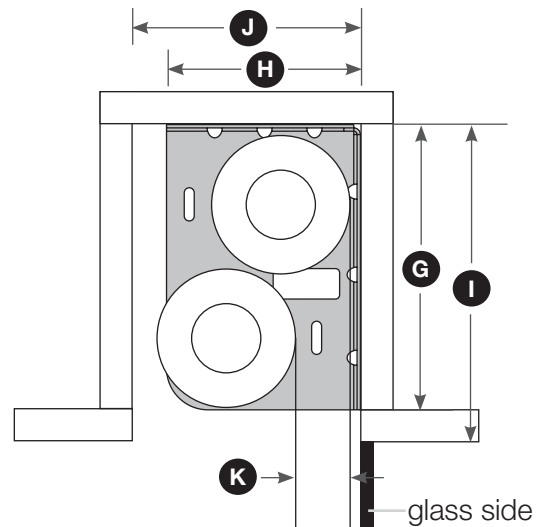
### Universal bracket design

- One-piece bracket for simple installation
  - Same bracket for left and right side of roller tube
  - Same bracket for ceiling, wall, and jamb mount
- Roller tube installs with simple, spring-loaded design



### Dual-mount roller system

Install two fabric panels over the same window with this compact bracket.



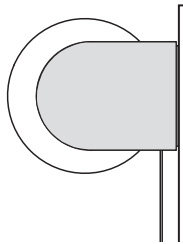
### Dimensions

- G** 5.15 in. (131 mm)
- H** 3.5 in. (89 mm)
- I** 9 in. (229 mm)
- J** 6 in. (152 mm)
- K** 1.0 in. (25 mm)

\* Maximum allowable shade size may vary based on fabric selection. Contact customer service or use SCT for actual shade dimensions based on fabric type.

### Standard snap-on end cap

Provide a clean look for a system installed without fascia or top box. Available in White.

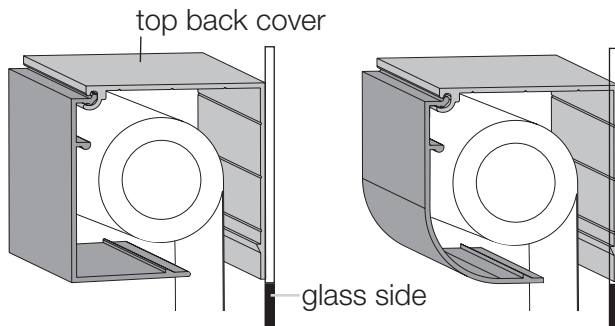


### Fascia

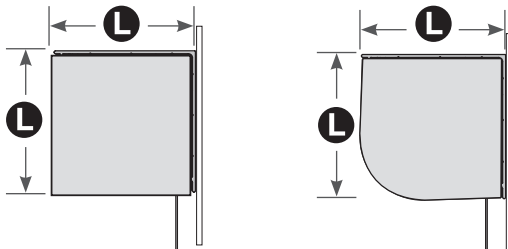
roller 20 can be installed with a top/back cover and fascia for a clean, minimal look. Square and curved fascia and pockets are available in White, Black, Bronze, and Anodized Aluminum.

Square fascia

Round fascia

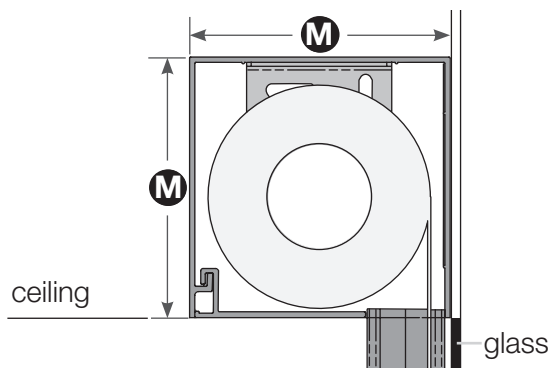


### Fascia end caps



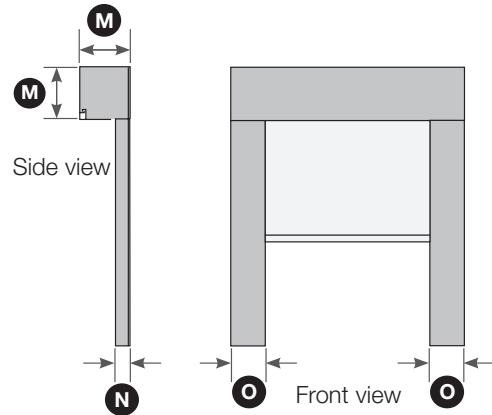
### Lutron-provided pocket dimensions

roller 20 will never require more than 3.5 in. height x 3.5 in. (89 mm x 89 mm) depth for installation.



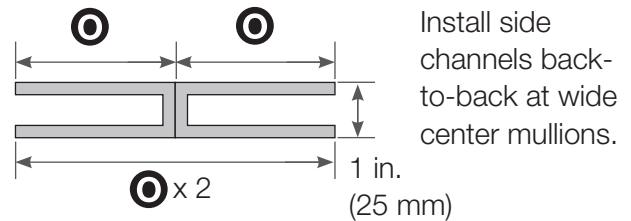
### Blackout configuration

Lutron offers side channels in a width of 2.5 in. or 3.5 in. (64 or 89 mm) to facilitate blackout conditions.

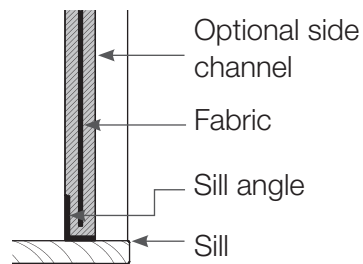


### Dimensions

- L** 2.75 in. (70 mm)
- M** 3.5 in. (89 mm)
- N** 1.0 in. (25 mm)
- O** 2.5 in. (64 mm)  
3.5 in. (89 mm)



Install side channels back-to-back at wide center mullions.

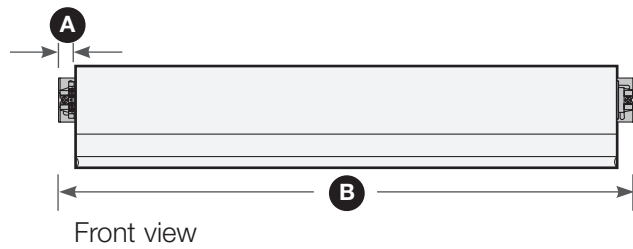


Side view

The sill angle completes the blackout by stopping light leaks below the shade.

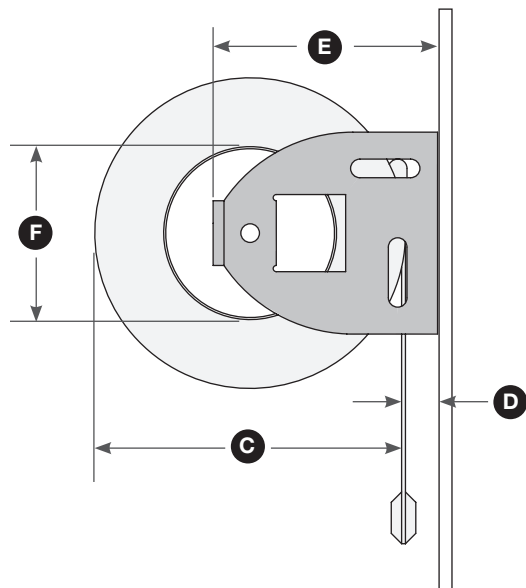
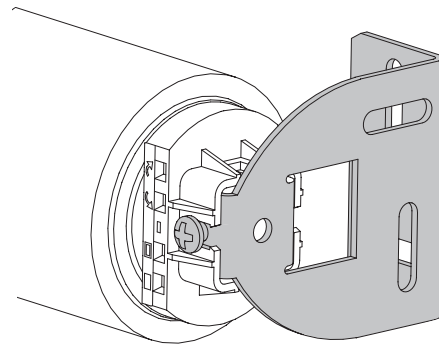
### System dimensions

The roller 64™ system utilizes a 1.625 in. (41 mm) roller tube to operate up to 64 sq. ft. (5.95 sq. m) of fabric.\*



### Universal bracket design

- One-piece bracket for simple installation
  - Same bracket for left and right side of roller tube
  - Same bracket for ceiling, wall, and jamb mount
- Roller tube installs with simple, spring-loaded design

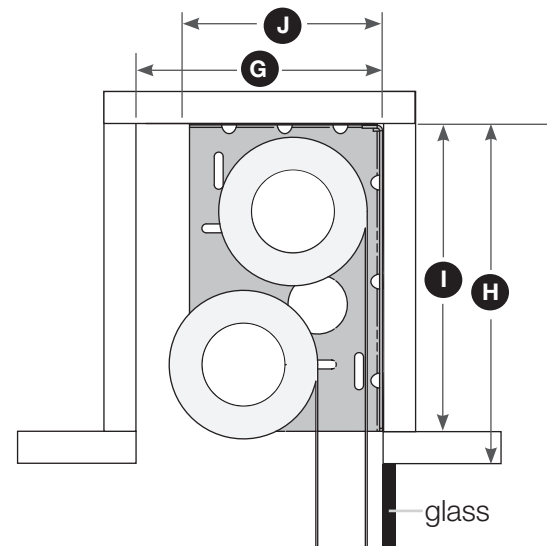


### Dimensions

- **A** 0.75 in. (19 mm) symmetrical, minimum
- **B** 18.5 in. (470 mm) minimum
- **C** 3.0 in. (76 mm) maximum
- **D** 0.26 in. (7 mm) minimum
- **E** 2.17 in. (55 mm)
- **F** 1.67 in. (42 mm)

### Dual-mount roller system

Install two fabric panels over the same window with this compact bracket system.



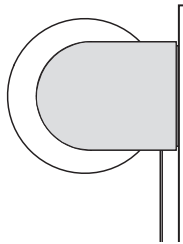
### Dimensions

- **G** 6.0 in. (152 mm)
- **H** 9.0 in. (229 mm)
- **I** 6.25 in. (159 mm)
- **J** 3.9 in. (99 mm)

\* Maximum allowable shade size may vary based on fabric selection. Contact customer service or use SCT for actual shade dimensions based on fabric type.

### Standard end cap

Provide a clean look for a system installed without fascia or top box. Available in White.

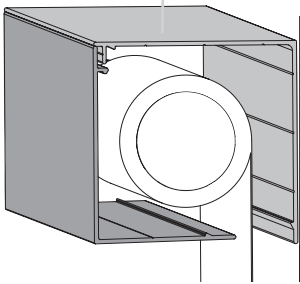


### Fascia

roller 64 can be installed with a top/back cover and fascia for a clean, minimal look. Square and curved fascia and pockets are available in White, Black, Bronze, and Anodized Aluminum.

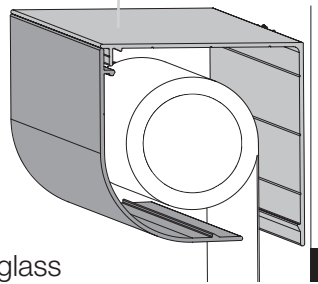
Square fascia

top back cover



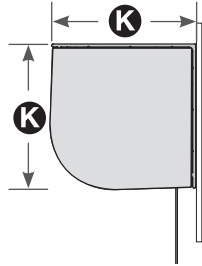
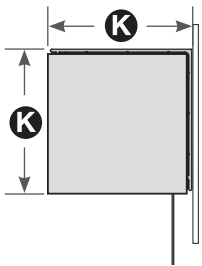
Round fascia

top back cover



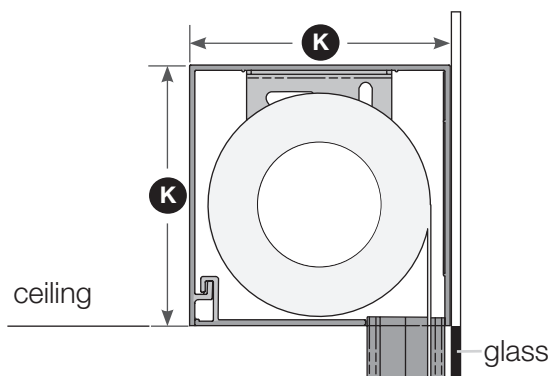
glass

### Fascia end caps



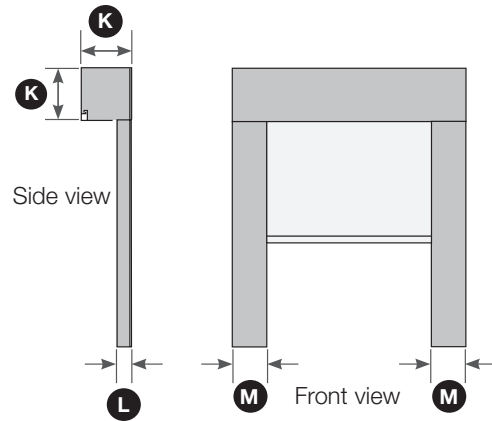
### Lutron-provided pocket dimensions

roller 64 will never require more than 3.5 in. height x 3.5 in. depth (89 mm x 89 mm) for installation.



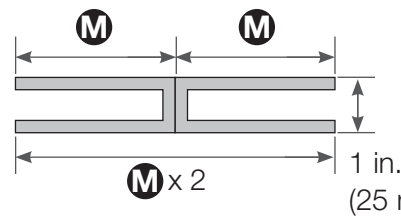
### Blackout configuration

Lutron offers side channels in a width of 2.5 in. or 3.5 in. (64 or 89 mm) to facilitate blackout conditions.

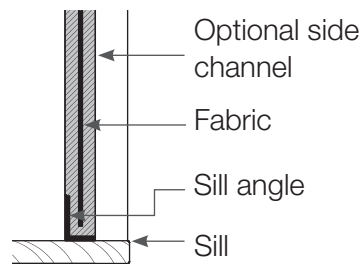


### Dimensions

- K** 3.5 in. (89 mm)
- L** 1 in. (25 mm)
- M** 2.5 in. (64 mm)  
3.5 in. (89 mm)



Install side channels back-to-back at wide center mullions.



Side view

The sill angle completes the blackout by stopping light leaks below the shade.

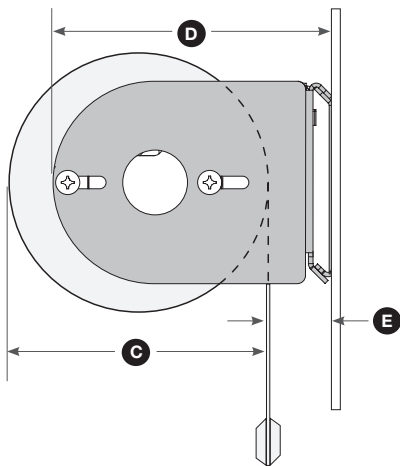
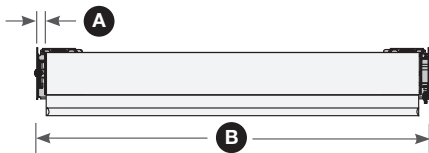
### System dimensions

These four systems utilize a 2.5 in. or 3 in. (64 mm or 76 mm) roller tube as well as identical brackets.

The roller 100™ operates up to 100 sq. ft. (9.29 sq. m) of fabric.\*

The roller 150™ operates up to 150 sq. ft. (14 sq. m) of fabric.\*

The roller 300™ with Lutron Intelligent Façade Technology™ (LIFT) operates up to 300 sq. ft. (27.9 sq. m) of fabric\*, controlling as many as six shade panels from one drive.



### Dimensions

- A** 0.75 in. (19 mm) symmetrical, minimum
- B** 24 in. (610 mm) (minimum bracket-to bracket)\*\*
- C** 4 in. (102 mm) maximum
- D** 4.43 in. (112 mm)
- E** 0.62 in. (16 mm) maximum projection

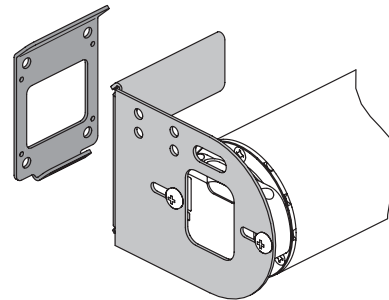
### Bracket design benefits

Brackets employ a two-piece design to maximize ease and flexibility of installation.

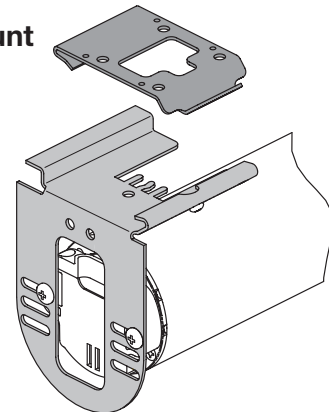
Proprietary bracket designs for various applications include:

- Wall mount
- Ceiling mount
- Jamb mount

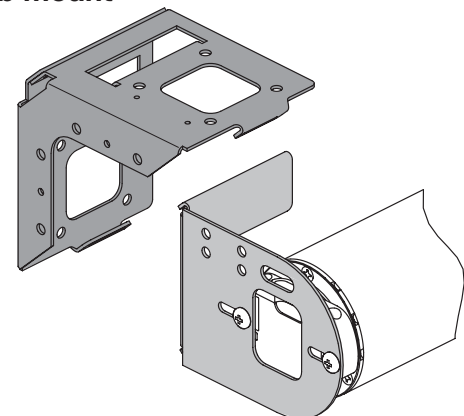
#### Wall mount



#### Ceiling mount



#### Jamb mount

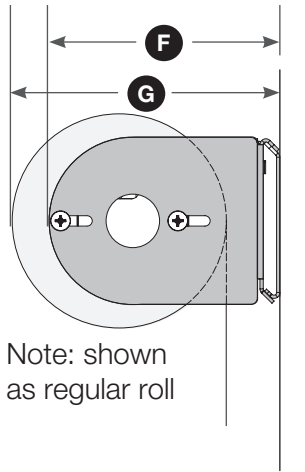


\* Maximum allowable shade size may vary based on fabric selection. Contact customer service or use SCT for actual shade dimensions based on fabric type.

\*\* Maximum bracket to bracket may vary depending on drive selected



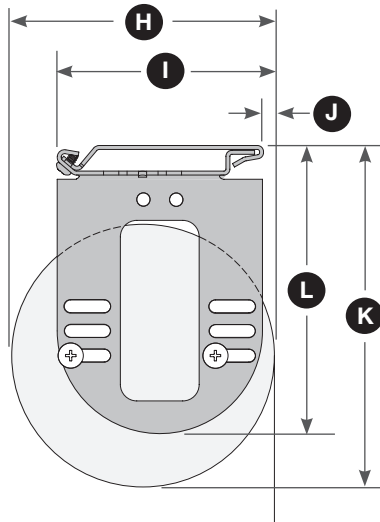
### Wall mount



### Dimensions

- F** 4.43 in. (112 mm)
- G** 5.1 in. (130 mm) maximum

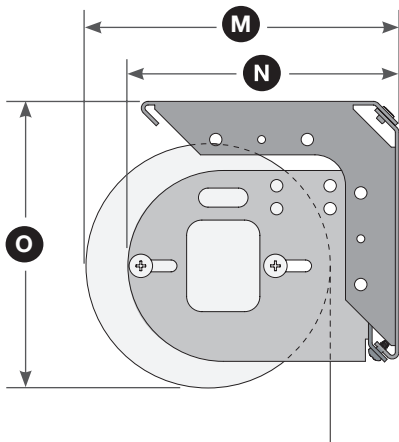
### Ceiling mount



### Dimensions

- H** 4 in. (102 mm) maximum
- I** 3.29 in. (84 mm)
- J** 0.15 in. (4 mm)
- K** 5.2 in. (132 mm) maximum
- L** 4.4 in. (112 mm)

### Jamb mount



### Dimensions

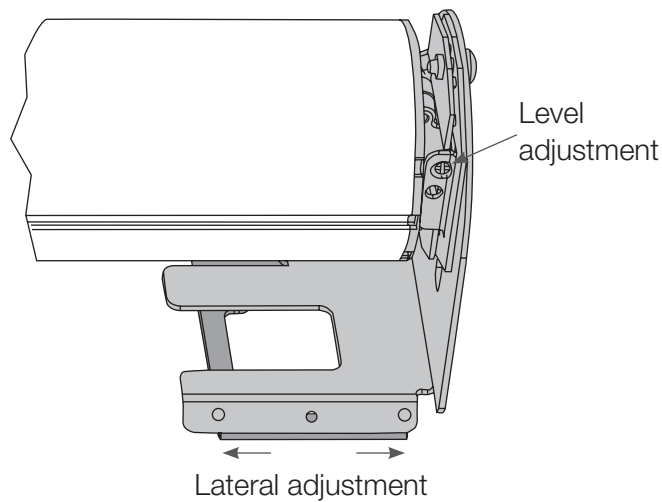
- M** 5.12 in. (130 mm) maximum
- N** 4.44 in. (113 mm)
- O** 4.65 in. (118 mm) maximum

**Note:** Fabric projection adjustable  
0.5 in. (13 mm)

### Bracket features

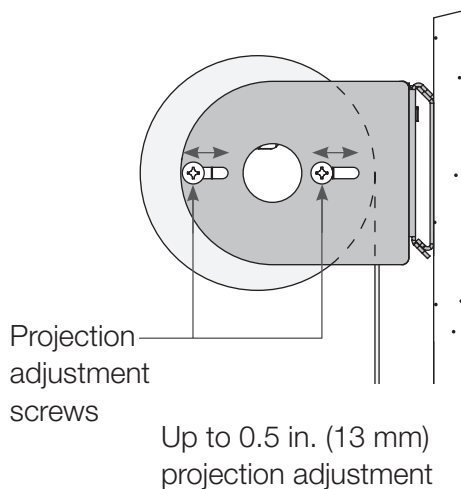
#### Shade centering and leveling

A benefit of the two-piece bracket design is the ability to laterally adjust the roller shade after installation to ensure a centered mounting. Roller shade can also be leveled easily without re-mounting the bracket.



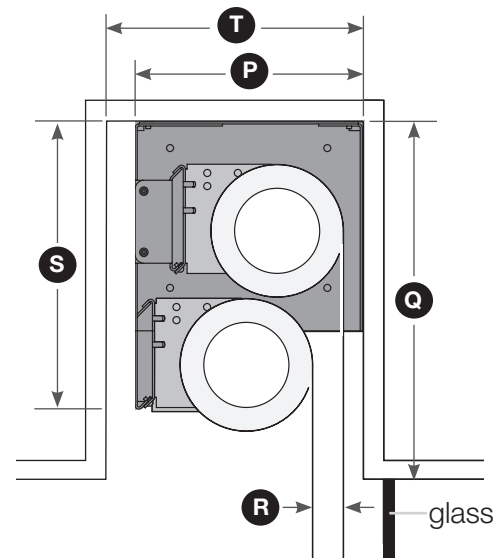
#### Projection adjustment

The bracket allows for projection adjustment of the roller tube during and after installation. (wall mount shown)



### Dual-mount bracket

A common roller shade application is the use of two fabrics on one window, typically a sheer and a blackout. Fabric unrolls closest to glass. The dual mount uses a two-piece bracket.



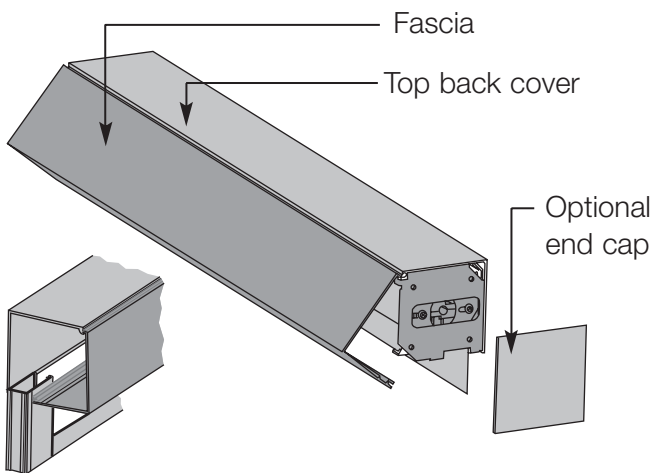
### Dimensions

- P** 6.5 in. (165 mm)
- Q** 11 in. (279 mm)
- R** 1 in. (25 mm)
- S** 8.22 in. (209 mm)
- T** 7 in. (178 mm)

### Fascia and top back covers

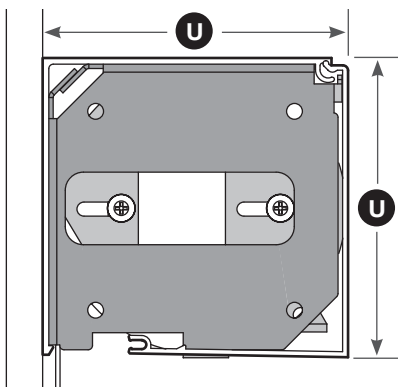
Lutron roller shades can be installed within fascia and top back covers. This two-piece enclosure conceals the product and provides accessibility for adjustment and maintenance. Square fascia and pockets are available in White, Black, Bronze, and Anodized Aluminum.

Add side channels and sill angles to achieve blackout conditions with opaque fabrics.



Fascia and top/back cover with side channel and sill angle (page 28)

The fascia mount uses a two-piece bracket.



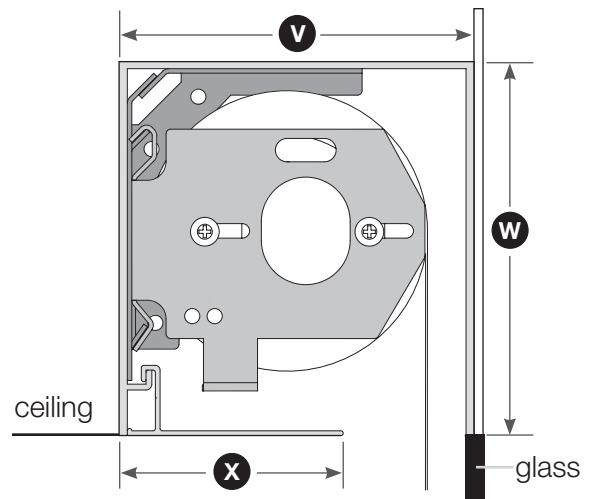
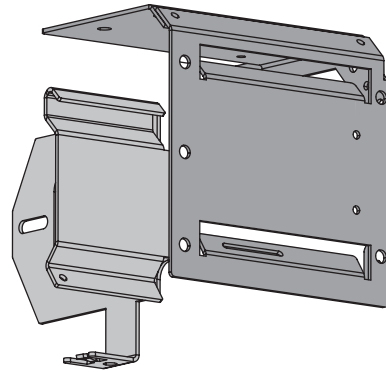
#### Dimensions

**U** 4.2 in. (107 mm)

**Note:** Fascia and top back cover can be used independently of each other.

### Pocket dimensions

Pockets are available for roller 100™, roller 150™, and roller 300™ with LIFT™ systems. The pocket mount uses a two-piece bracket.



#### Lutron pocket dimensions

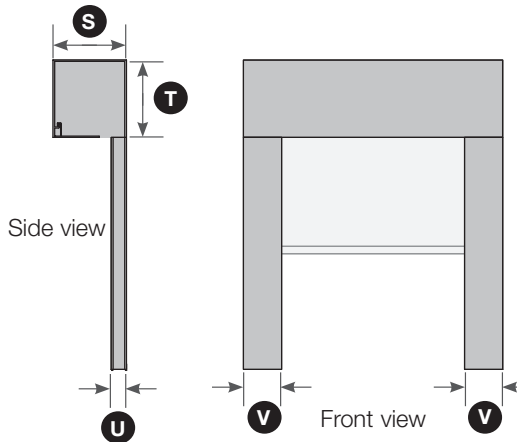
**V** 4.75 in. (121 mm)

**W** 5 in. (127 mm)

**X** 3 in. (76 mm)

**Blackout configuration**

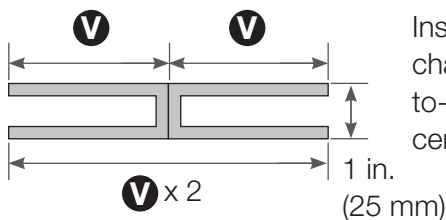
Lutron offers side channels in a width of 2.5 in. or 3.5 in. (64 or 89 mm) to facilitate blackout conditions.



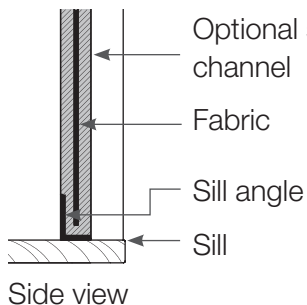
**Dimensions**

- S** 4.75 in. (121 mm)
- T** 5 in. (127 mm)
- U** 1 in. (25 mm)
- V** 2.5 in. (64 mm)  
3.5 in. (89 mm)

Pocket dimensions shown including side channels



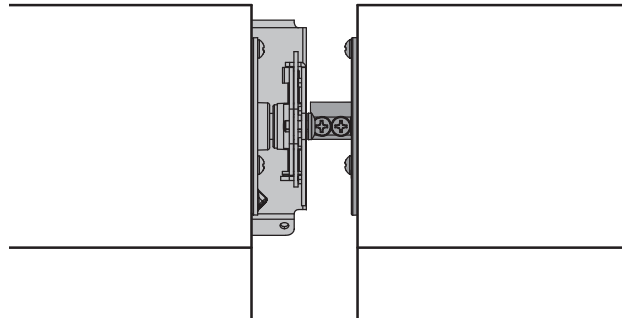
Install side channels back-to-back at wide center mullions



The sill angle completes the blackout by stopping light leaks below the shade.

**In-line coupled roller system**

Up to six shade panels can be coupled, allowing for the entire assembly to be powered by a single electronic drive unit (EDU).



- Simple installation—no pins needed
- Increased efficiency by operating multiple shades with one EDU
- Offers 1.5 in. (38 mm) minimum light gap between panels
- Can be assembled with any bracket configuration (see page 34)
- Offers phase adjustment, which allows the bottom bars to be aligned after installation
- Allows precise bottom bar alignment

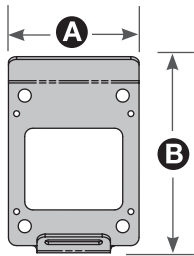
Note: Drive side minimum width per coupled shade 26.5 in. (673 mm)

**Coupling adjustment**

Use an Allen wrench to align bottom bars while shades are in place. Use set screws to adjust alignment.

## Coupling sub-brackets

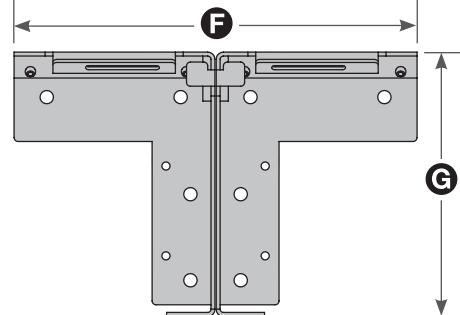
### Wall-mount coupling sub-bracket



#### Dimensions

- A** 2.0 in. (51 mm)
- B** 3.0 in. (76 mm)

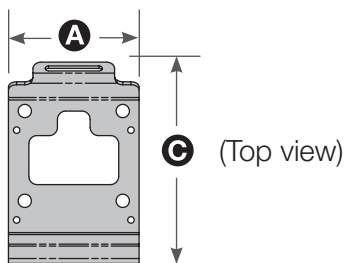
### Fascia-mount coupling sub-bracket



#### Dimensions

- F** 6.16 in. (156 mm)
- G** 4.04 in. (103 mm)

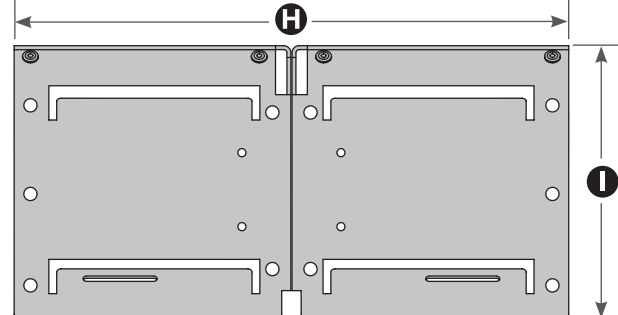
### Ceiling-mount coupling sub-bracket



#### Dimensions

- A** 2.0 in. (51 mm)
- C** 3.08 in. (78 mm)

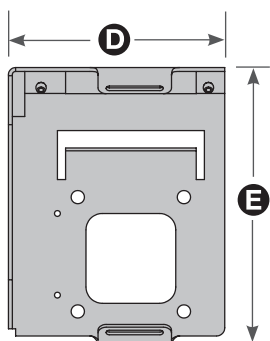
### Pocket-mount coupling sub-bracket



#### Dimensions

- H** 8.48 in. (216 mm)
- I** 4.17 in. (106 mm)

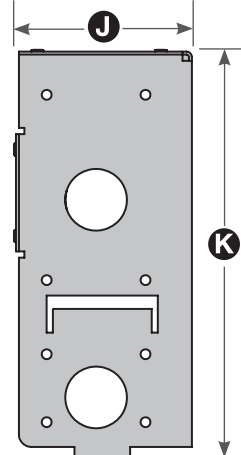
### Jamb-mount coupling sub-bracket



#### Dimensions

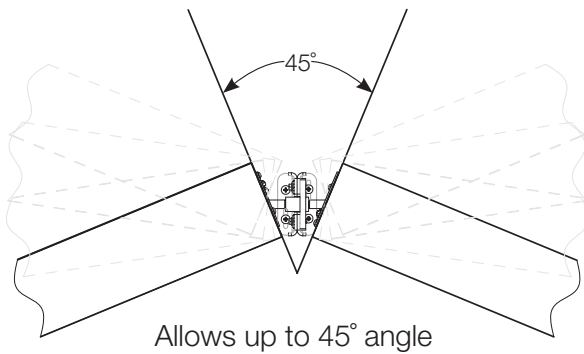
- D** 3.31 in. (84 mm)
- E** 4.22 in. (107 mm)

### Universal dual narrow sub-bracket



#### Dimensions

- J** 3.75 in. (95 mm)
- K** 8.25 in. (209 mm)



**Angled coupler**

Removes need for multiple shade drives in angled applications — resulting in significant cost reduction.

No commitment to shade angle when ordering; one size fits all angles, 0°–15° or 0°–45°.

**Angled coupler parameters:**

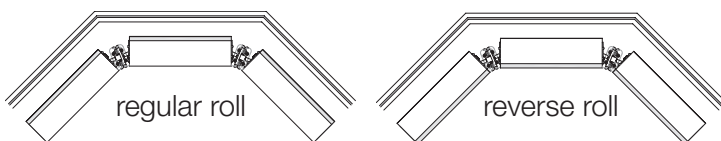
- Ceiling- and pocket-mount capable
- Maximum angle: 45° (22.5° each side)
- Maximum number of shades: three (per roller 100™ or roller 150™)
- Minimum drive side panel width: 25.5 in. (648 mm)
- Minimum non-drive side panel width: 22.5 in. (572 mm)

**Angled coupler template**

New measuring template for angled shades ensures precise and easy installation.\*

Plastic angled coupler templates can be ordered through Customer Service:

- 0°–15° Narrow Angle Coupler Template (p/n 045-315)
- 0°–45° Wide Angle Coupler Template (p/n 045-318)



0°–45° Angled coupler		
Shade angle (total)	Regular roll light gap	Reverse roll light gap
0°	1 5/16 in. (33 mm)	1 5/16 in. (33 mm)
2°	1 5/16 in. (33 mm)	1 1/4 in. (32 mm)
4°	1 5/16 in. (33 mm)	1 1/4 in. (32 mm)
6°	1 3/8 in. (35 mm)	1 1/4 in. (32 mm)
8°	1 3/8 in. (35 mm)	1 3/16 in. (30 mm)
10°	1 7/16 in. (35 mm)	1 3/16 in. (30 mm)
12°	1 7/16 in. (35 mm)	1 3/16 in. (30 mm)
14°	1 7/16 in. (35 mm)	1 1/8 in. (29 mm)
16°	1 1/2 in. (38 mm)	1 1/8 in. (29 mm)
18°	1 1/2 in. (38 mm)	1 1/8 in. (29 mm)
20°	1 1/2 in. (38 mm)	1 1/16 in. (29 mm)
22°	1 9/16 in. (40 mm)	1 1/16 in. (29 mm)
24°	1 9/16 in. (40 mm)	1 1/16 in. (29 mm)
26°	1 5/8 in. (41 mm)	1 in. (25 mm)
28°	1 5/8 in. (41 mm)	1 in. (25 mm)
30°	1 11/16 in. (43 mm)	1 in. (25 mm)
32°	1 11/16 in. (43 mm)	1 in. (25 mm)
34°	1 11/16 in. (43 mm)	15/16 in. (24 mm)
36°	1 3/4 in. (44 mm)	15/16 in. (24 mm)
38°	1 3/4 in. (44 mm)	15/16 in. (24 mm)
40°	1 3/4 in. (44 mm)	7/8 in. (22 mm)
42°	1 13/16 in. (46 mm)	7/8 in. (22 mm)
44°	1 13/16 in. (46 mm)	7/8 in. (22 mm)
45°	1 13/16 in. (46 mm)	13/16 in. (21 mm)

0°–15° Angled coupler (use where possible to minimize light gaps)		
Shade angle (total)	Regular roll light gap	Reverse roll light gap
0°	7/8 in. (22 mm)	7/8 in. (22 mm)
2°	7/8 in. (22 mm)	13/16 in. (21 mm)
4°	7/8 in. (22 mm)	13/16 in. (21 mm)
6°	15/16 in. (24 mm)	13/16 in. (21 mm)
8°	15/16 in. (24 mm)	3/4 in. (19 mm)
10°	1 in. (25 mm)	3/4 in. (19 mm)
12°	1 in. (25 mm)	3/4 in. (19 mm)
14°	1 in. (25 mm)	11/16 in. (17 mm)
15°	1 in. (25 mm)	11/16 in. (17 mm)

\* Template must be used to provide final measurements for ordering.

**With Integrated Deflection Reduction (WIDR)**

**Longer window span for roller 100™, roller 150™, and roller 300™ shades:**

- Allows for shades up to 180 in. (4572 mm) wide with minimal deflection. Battens may be required.
- Reduced waves and Vs in fabrics
- Utilizes all existing roller 100 bracket and top-treatment options
- Utilizes coupling systems for extra wide coupled shades
- Tube diameter = 3.0 in. (78 mm) vs. standard roller 100 = 2.5 in. (63.5 mm)

WIDR tube has a larger and stronger cross-section to prevent deflection over standard tube options. It allows for wider shades to be mounted in residential- and commercial-sized pockets, while maintaining the quiet precision of Lutron electronic drive technology.

**Dimensions:**

- Tube diameter: 3.0 in. (78 mm)
- Pocket size: 4.75 in. x 5.00 in.  
(121 mm x 127 mm) standard pocket
- Typical max. size: 100 sq.ft. (9.29 sq. m)
- Min. bracket to bracket width: 24 in. (610 mm)
- Max. bracket to bracket width: 15 ft. (4572 mm)

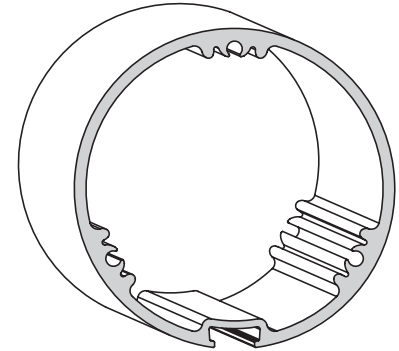
**WIDR tube parameters:**

- Widest shade: 15 ft. w (4572 mm)
- Longest shade: 15 ft. h (4572 mm)
- Typical shade: 12 ft. w x 8.33 ft. h  
(3658 mm x 2539 mm)
- Minimum system width: 2 ft. w x 2 ft. h  
(610 mm x 610 mm)

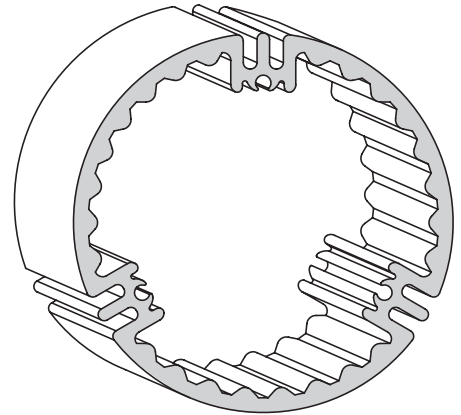
\* Note: Some top treatments may be unavailable.

**Tube cross-section**

(not actual size)



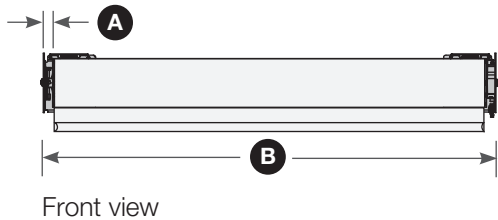
**standard tube**



**WIDR tube**

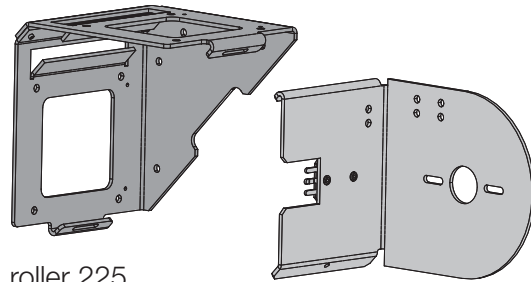
**System dimensions**

The roller 225™ provides a heavy-duty bracket and higher torque for large applications such as atriums or multi-story windows.

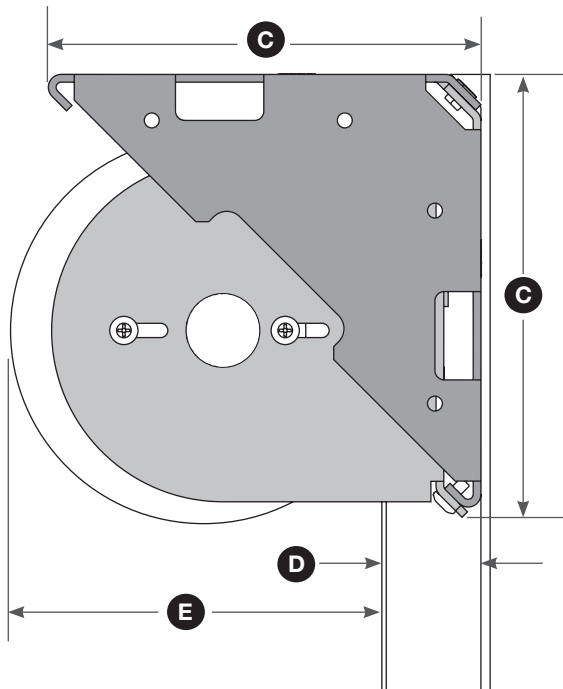


**The roller 225 system:**

- Utilizes a 3.75 in. (95 mm) diameter tube
- Employs heavy duty brackets designed for larger systems



roller 225  
bracket assembly



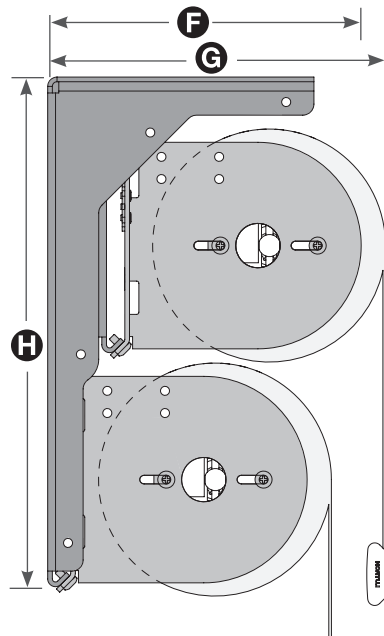
**Dimensions**

- A** 0.75 in. (19 mm) symmetrical, minimum\*
- B** 31.62 in. (803 mm) typical minimum
- C** 6 in. (152 mm)
- D** 1.13 in. (29 mm) maximum projection into room
- E** 5.25 in. (133 mm)

\* May be smaller with spring assist.

**Dual-mount bracket**

A common roller shade application is the use of two fabrics on one window, typically a sheer and a blackout. Fabric unrolls closest to glass. The dual mount uses a two-piece bracket.



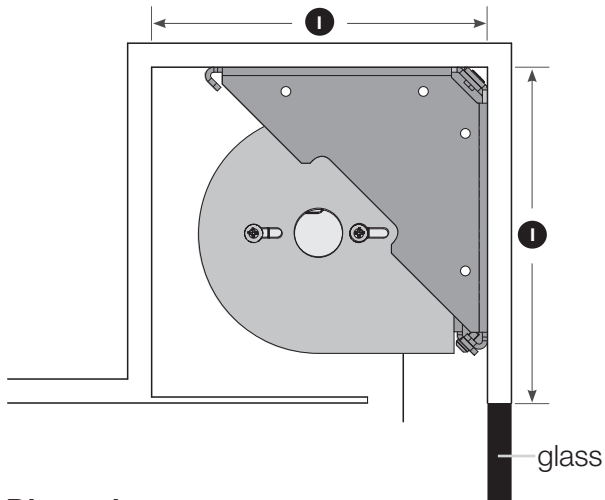
**Dimensions**

- F** 7.07 in. (180 mm)
- G** 7.61 in. (193 mm)
- H** 11.48 in. (192 mm)



### Pocket installation\*

Lutron recommends a 7 in. x 7 in. (178 mm x 178 mm) pocket for recessed installations.

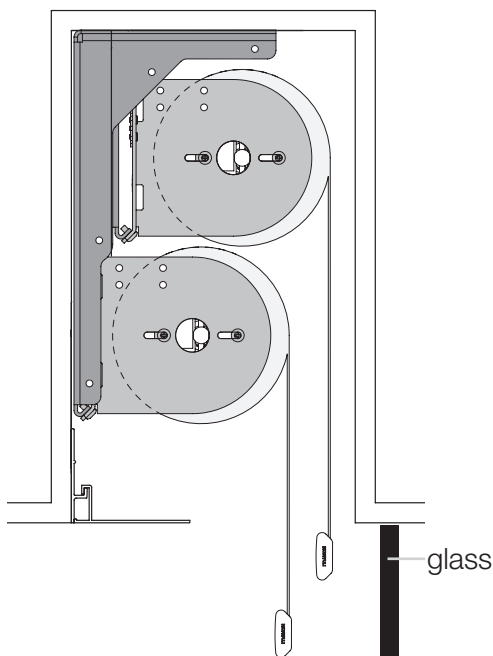


### Dimensions

**I** 7 in. (178 mm)

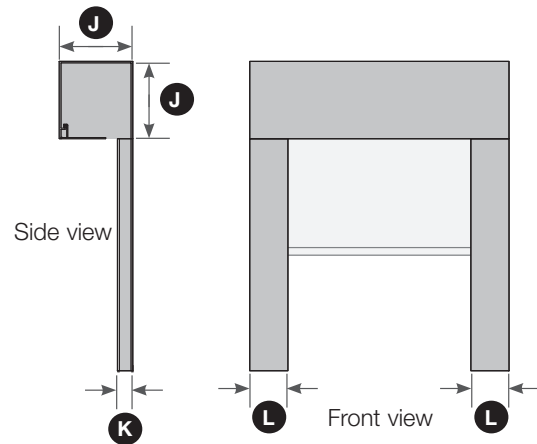
### Dual pocket installation\*

Lutron recommends an 8 in. x 14 in. (203 mm x 356 mm) pocket for recessed dual installations.



### Blackout configuration (pocket only)

Lutron offers side channels in a width of 2.5 in. or 3.5 in. (64 or 89 mm) to facilitate blackout conditions.



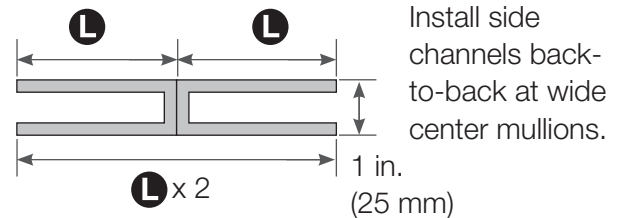
### Dimensions

**J** 7 in. (178 mm)

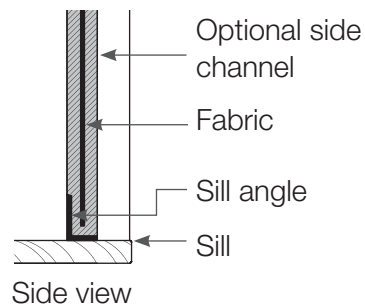
**K** 1 in. (25 mm)

**L** 2.5 in. (64 mm)  
3.5 in. (89 mm)

Pocket dimensions shown including side channels.



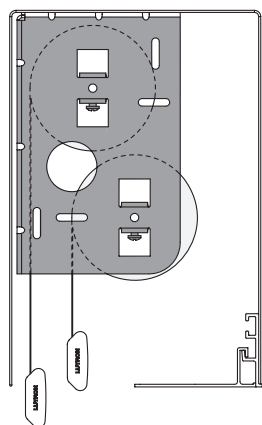
Install side channels back-to-back at wide center mullions.



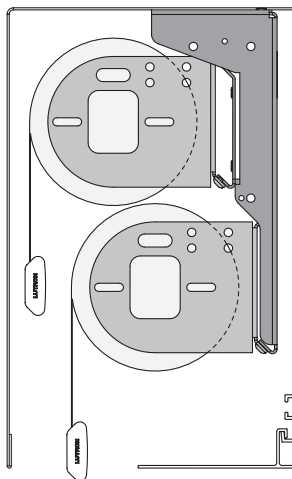
The sill angle completes the blackout by stopping light leaks below the shade.

\* Pocket available. See pages 39–40.

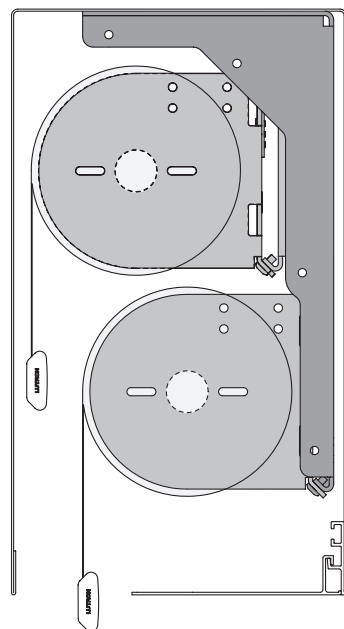
Large pocket is available in the following sizes for all dual applications (for use with Lutron dual pocket brackets) and large single applications. Available with splice bar, flap, hanger, air vents, and ceiling tile support.



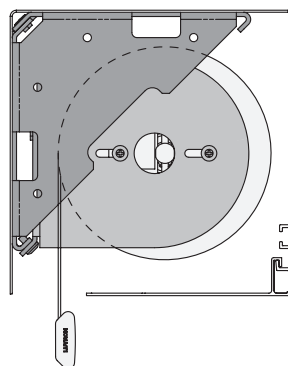
**6 in. w x 9 in. h**  
(152 mm x 228 mm)  
for dual roller 20™  
and dual roller 64™  
applications



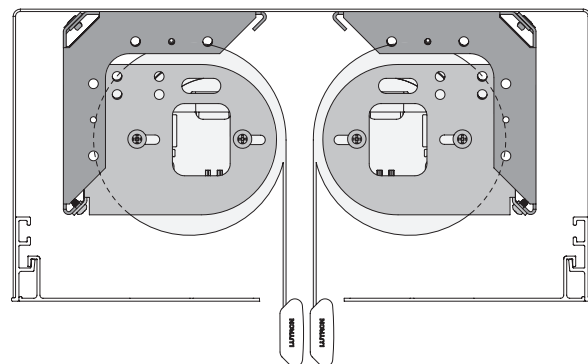
**7 in. w x 11 in. h**  
(178 mm x 279 mm)  
for dual roller 100™,  
dual roller 150™, and  
dual roller 300™ LIFT™  
applications



**8 in. w x 14 in. h**  
(203 mm x 356 mm)  
for dual roller 225™  
applications



**7 in. w x 7 in. h**  
(178 mm x 178 mm)  
for **single** roller 225  
applications



**12 in. w x 6 in. h**  
(305 mm x 152 mm) for horizontal dual roller  
100, dual roller 150, and dual roller 300 LIFT  
applications (dual flap available)

# roller shades | custom pocket

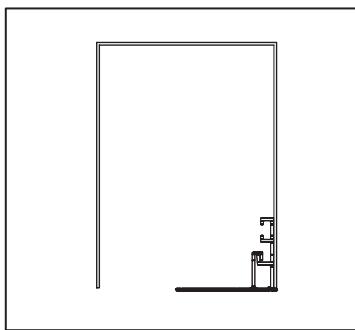
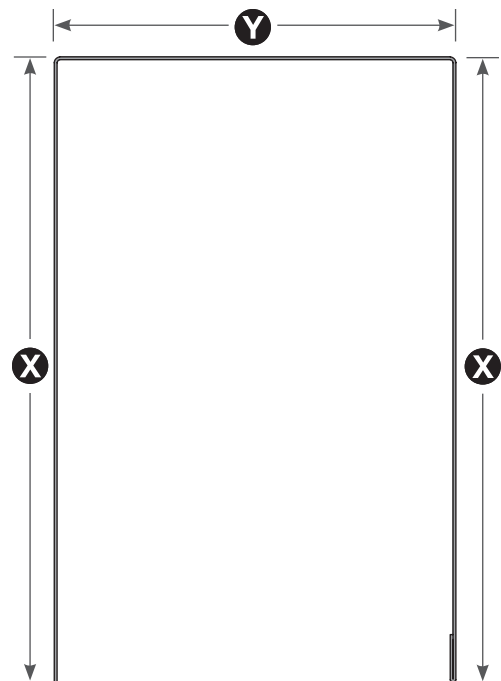
Custom pockets are available in a wide variety of user-specified sizes for any application.

All custom and dual pockets are available with splice bar (allows for multiple pocket alignment), integrated air vents, tile support (for ceiling tile integration), and flap and hanger (three flap sizes available).

All custom and dual pockets are 0.06 in (1 mm) thick.

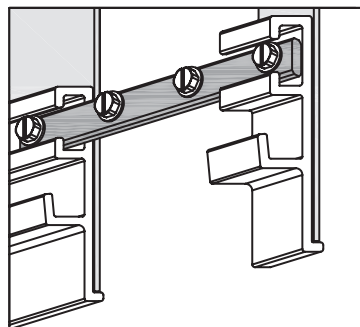
**Note:**

Pocket size (linear dimension) cannot exceed 46 in. (1,168 mm)  $[2X+Y]$ . Maximum continuous length is 120 in. Minimum dimension is 5.5 in. (X) by 5.5 in. (Y)

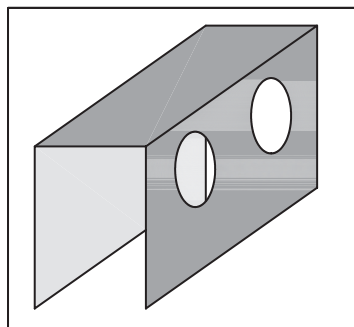


**Optional flap and hanger flap sizes available:**

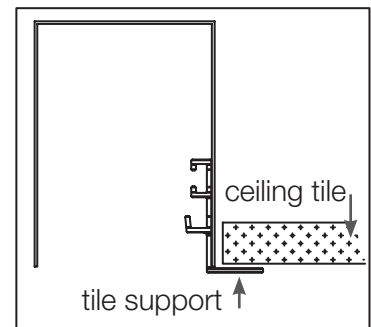
- 2 in. (51 mm)
- 3 in. (76 mm)
- 5 in. (127 mm) (recommended only for pockets 8 in. deep or larger)



**Optional splice bar**  
for multiple pocket alignment



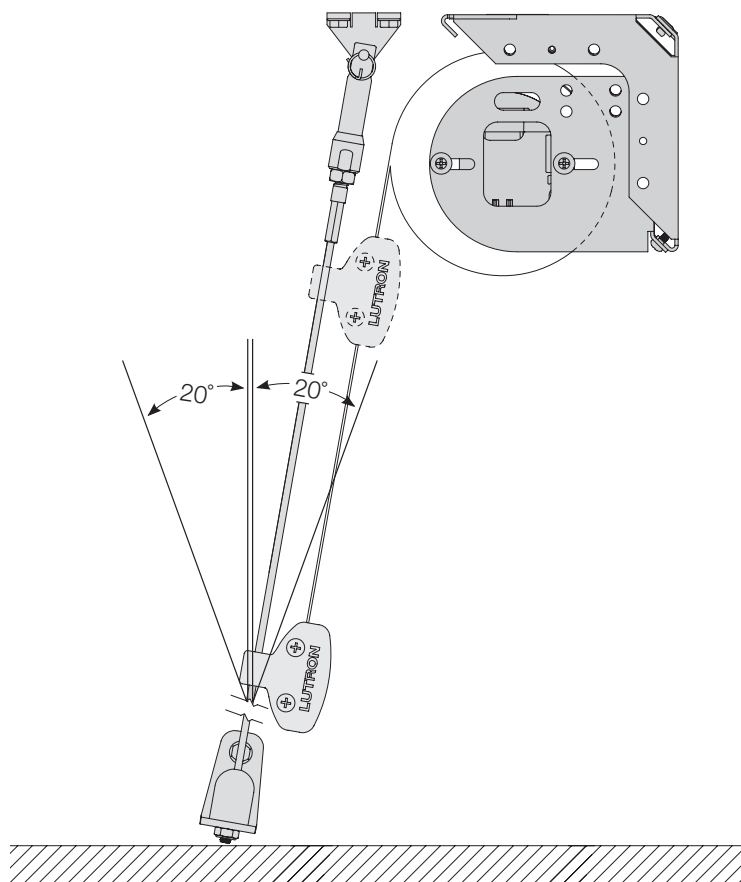
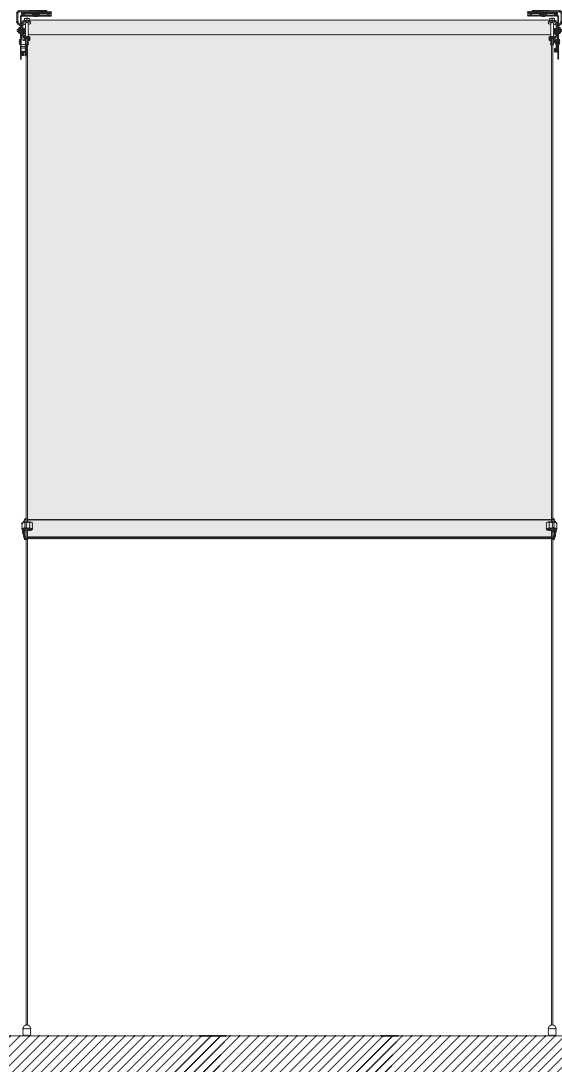
**Optional air vents**  
24 sq. in. per linear foot  
(154.8 sq. cm)



**Optional tile support**  
for integration with ceiling tile

Cable-guided shades allow shading with angled windows and management of shade “sway” within areas of high velocity airflow.

- Allows for up to 20° angles (positive and negative)
- Maximum shade height of 20 ft. (6096 mm)
- For use with architectural bottom bars or oval hembars
- Retrofit kit available for existing shades with architectural bottom bar
- Compatible with wall, ceiling, and jamb-recessed brackets
- Cable thickness: two sizes available
- Marine-grade stainless steel turnbuckle and stainless steel cable mounting brackets
- Cables are nylon-coated galvanized steel with stainless steel threaded ends



Lutron is ready to address all of your commercial shading needs. Roller clutch manual shades allow for one-name specification on projects that incorporate motorized shading but also require manual solutions.

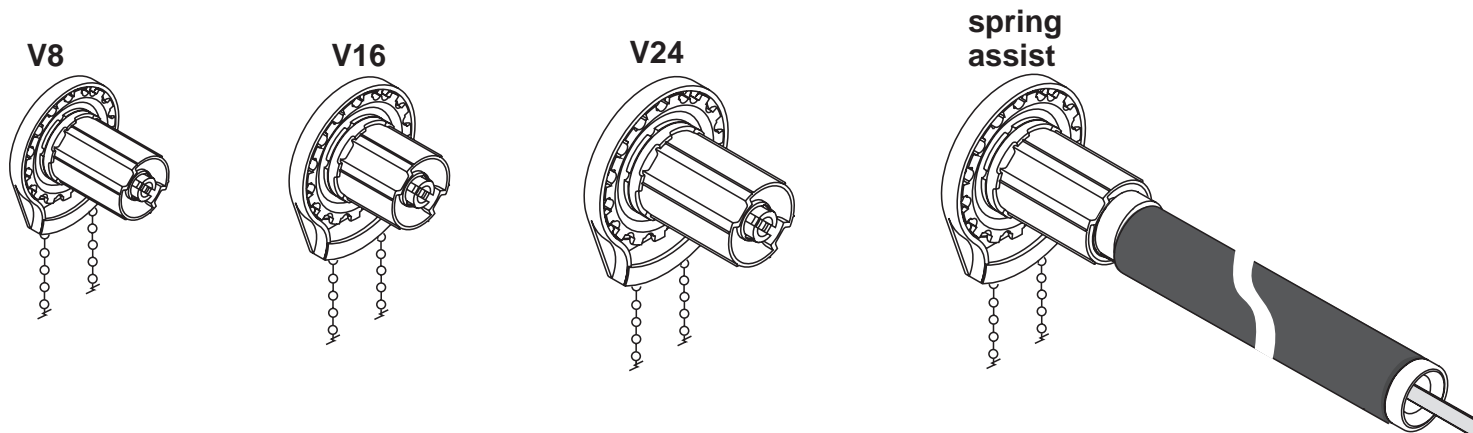
Each size refers to pounds of fabric weight. Clutch system allows for minimal effort when lifting heavy fabric panels while maintaining shades at desired positions.

Multiple tube sizes are available to manage deflection in wide shades:

- 1 in. (25 mm) steel tube: Available with V8
- 1.375 in. (35 mm) steel tube: Available with V16 and V24
- 1.75 in. (44 mm) steel tube: Available with V16 and V24
- 2 in. (51 mm) aluminum tube: Available with V16 and V24
- 2.5 in. (64 mm) aluminum tube: Available with V24

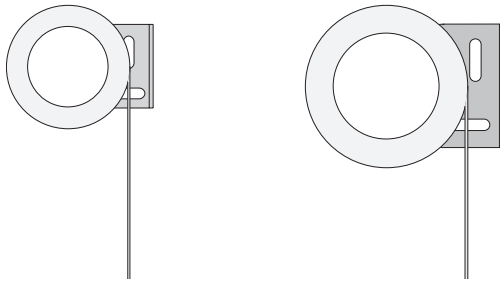
Compatible with fascia and pocket mount applications.  
Chain tensioner device standard.

Clutch size	Capacity
V8	8 lbs. (3.6 kg)
V16	16 lbs. (7.3 kg)
V24	24 lbs. (10.8 kg)
V24 with spring assist	30 lbs. (13.6 kg)



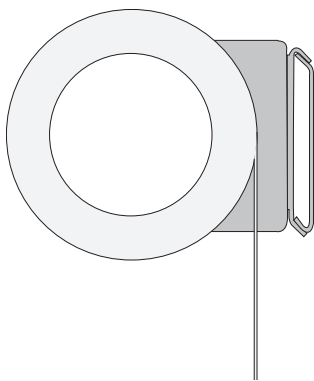
**Small- to medium-sized windows — pages 25 and 27**

roller 20™ and roller 64™ have small tube diameters that make them the perfect solution for small- to medium-sized windows. Control daylight and create privacy in the office or at home.



**Floor-to-ceiling windows — page 29**

roller 100™ is designed for larger windows, such as those in floor-to-ceiling applications. These windows are often found in offices and condominiums. Preserve the view while increasing productivity.

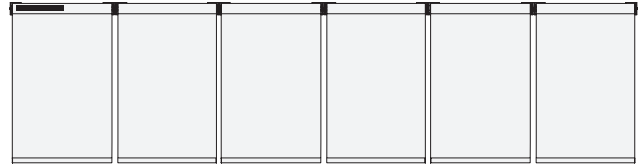


**Note:** Roller tubes not shown actual size.

**Curtain walls — page 29**

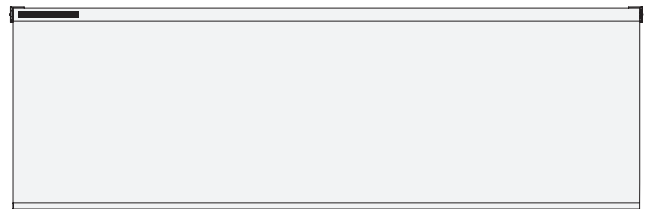
Couple up to six shades as a single group with a single EDU with roller 150™.

Roller 300™ with LIFT™ allows for operation of up to six 5 ft. x 10 ft. panels without the need for coupling.



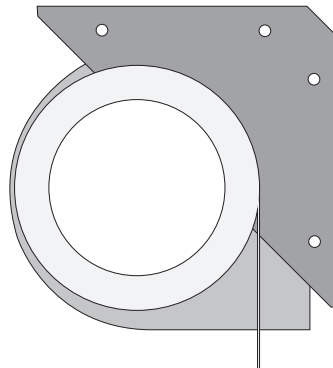
**Wide windows — page 36**

WIDR tube option designed to minimize deflection for wide windows with average height. Optional tube size for roller 100, roller 150, and roller 300.

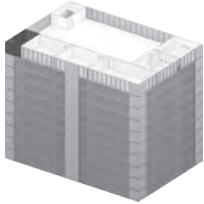
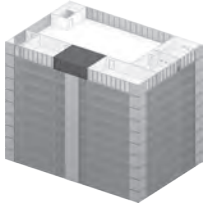
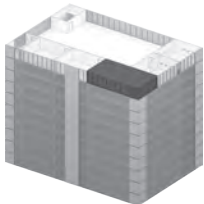
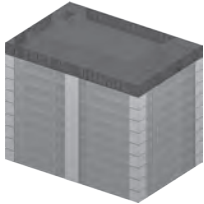



**Multi-story windows — page 37**

roller 225™ provides a heavy-duty bracket and higher torque for much larger applications. Add precision control of daylight in atriums, lobbies, and in areas with multi-story windows.





Total light control solutions		Products*
<p><b>Basic stand-alone solutions</b></p> 	<p>These solutions operate independent of one another. They are the simplest and lowest-cost way to start saving energy today.</p>	<p>Maestro® occupancy sensor</p>
<p><b>Single-space solutions</b></p> 	<p>These solutions—occupancy sensors, daylight sensors, and infrared or radio-frequency remote controls—add the ability to control several lights together.</p>	<p>Maestro Wireless® dimmer, Pico® wireless control, Radio Powr Savr™ daylight sensor, Radio Powr Savr occupancy sensor, plug-in lamp dimmer, <b>Sivoia® QS shades</b></p>
<p><b>Small area solutions</b></p> 	<p>For more advanced and scalable light and shade control, use Lutron QS components to build wired or wireless mini-systems.</p> <p>These mini-systems can be easily expanded at any time to control multiple rooms or larger spaces and are suitable for both new construction and retrofit applications.</p>	<p>GRAFIK Eye® QS, EcoSystem® ballast, <b>Sivoia QS shades</b></p>
<p><b>Entire floor solutions</b></p> 	<p>QS devices can easily be linked across multiple rooms—up to an entire floor—to provide significant yearly savings from ongoing reduced energy costs, increased lamp life, and lower maintenance costs.</p> <p>This highly scalable solution can be easily reconfigured, with no need for rewiring.</p>	<p>Energi Savr Node™ QS, seeTouch® QS keypad, <b>Sivoia QS shades</b></p>
<p><b>Entire building or campus solutions</b></p> 	<p>Quantum® manages both daylight and electric light by integrating light and shade control devices. With Quantum, facility managers can maximize energy efficiency, comfort, and productivity, as well as configure, monitor, analyze, and report on the light in an entire building—all from a central location.</p>	<p>Quantum hub, Quantum GreenGlance®, <b>Hyperion® system, Sivoia QS shades</b></p>



## What is Hyperion®?

Hyperion is an automated shading system that adjusts Sivoia® QS shades throughout the day based on the sun's position. It maximizes functional daylight in a space while minimizing glare and solar heat gain to create a comfortable work environment.

Seasonal solar variation:

The position of the earth relative to the sun changes throughout the year. Consequently, the sun will be in a different position at noon on June 21st than it is at noon on December 21st.

Hyperion effectively manages daylight entering the space by incrementally changing the shade adjustment schedule of each façade on a daily basis, maximizing comfort and productivity.

Hyperion can function as a stand-alone system or as a key feature of the Quantum® Total Light Management™ system.

## How does Hyperion work with Quantum?

Quantum is a lighting control system that has the ability to manage total light levels in response to available daylight. By combining Hyperion's effective daylight management with Quantum's daylight harvesting capabilities, electric light usage can be lowered to conserve electricity every day.

## What are the benefits?

### Increase comfort and productivity

Preferred light levels and automated shade control are conducive to a productive work environment.

### Create a more flexible space

Shade groups easily re-configure to allow for flexible use of a space without rewiring. Each group can be tuned to meet specific daylight needs.

### Save electricity and protect the environment

Reduce greenhouse emissions by eliminating unnecessary energy use.

### Save money

Lower operating costs with Hyperion's minimal maintenance requirements and through electricity savings with daylight harvesting and reduced HVAC costs.

#### Example:

#### **A 50,000 sq. ft. commercial building spends about \$45,000 each year on lighting energy.**

Much of that money is wasted due to ineffective light control. Through the optimization of electric light and daylight, Quantum and Hyperion can cut lighting costs by 60% or more while greatly improving the visual environment.

## Quantum® components

### Key components

Hyperion® solar-adaptive shading is powered by the Quantum Total Light Management™ system.

Through Hyperion, Quantum uses Sivoia® QS shades to create a dynamic shading system for the entire building.

The Hyperion shading system is set up, tuned, and controlled using Q-Admin™ software.

Quantum's BACnet® capabilities also allow a building automation system to control and monitor the shades.

Quantum works with Lutron dimming ballasts to maximize usable daylight and minimize electric lighting load.

### Q-Admin software

- Used on PC to control and monitor Quantum



### QS Smart Panel Power Supply

- Provides low voltage power to shades and accessories



### NEW Hyperion Power Panel

- Combines a Hyperion processor and a shade power panel into one product, providing a simple and low-cost solution for adding Quantum to shade jobs



## Sivoia QS daylight controls



### Sivoia QS roller shades

- Reduce glare and solar heat gain for increased productivity, comfort, and energy savings while preserving views
- EDU quietly controls shades with ultra-precise alignment



### Quantum hub

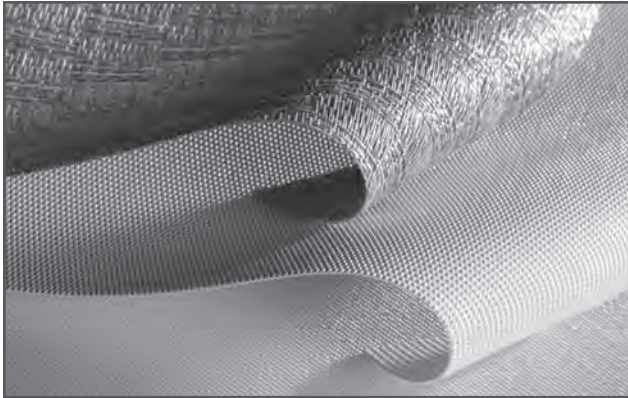
- Connects all Quantum system components and powers Hyperion



### (Optional) Radio Window™ sensor

- Enables an override to Hyperion shade movement when a cloudy day condition is present.

## Lutron fabrics



For reliable daylight control that enhances a room's décor, Lutron provides a superior selection of roller shade fabrics.

Categories:

- **Sheer:** daylight is filtered while preserving view
- **Translucent:** permits some light, but view is limited to shapes and shadows
- **Blackout:** prevents all light from passing through the material. Combine with side channels, top treatments, and other components for a complete light seal, when necessary.

Fabrics are available for any application and every price range.

## seeTouch® QS wall keypads



### Wall keypads

- Select a preferred light level for every task, and adjust shades quietly at the touch of a button
- Use of local keypads can provide occupants with the ability to override the Hyperion® schedule and further reduce glare as needed

June 21st | 11:00 a.m.

Hyperion® automatically positions shades to let useful daylight into the space. Lights near windows dim to save energy.





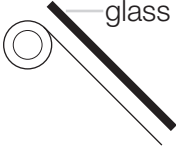
December 21st | 11:00 a.m.

Shades remain partially closed to block harsh low-angled winter sun. Lights near windows remain bright to maintain preferred light levels.



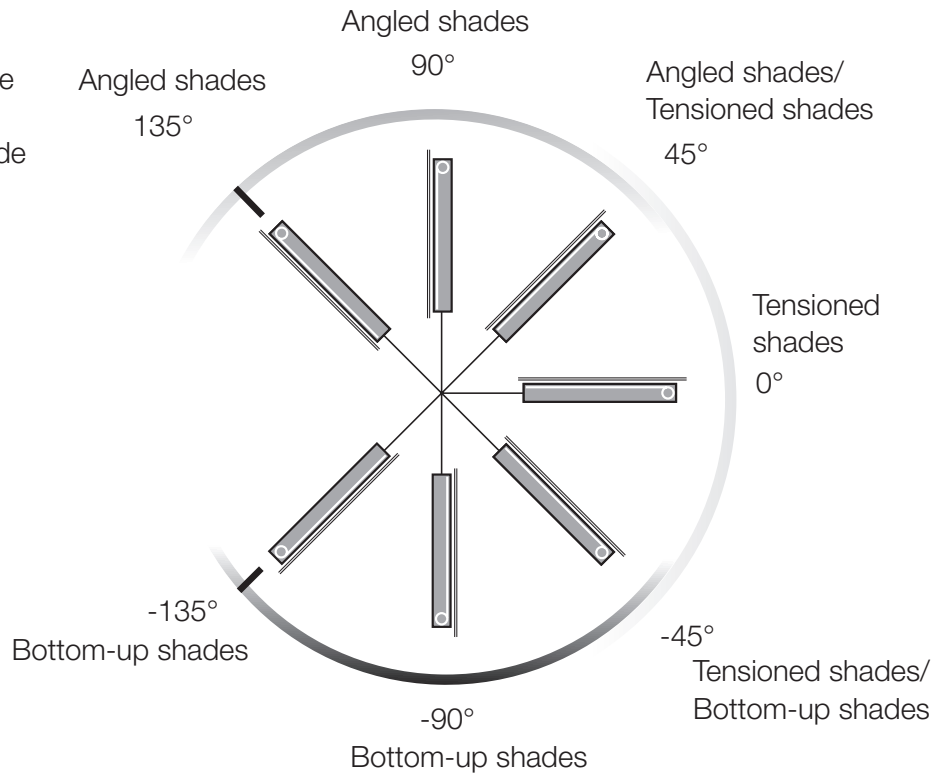


<b>Determine how tensioned shade will be installed</b> →	<b>Take system measurements (page 57)</b> →	<b>Specify drive location for pre-wiring</b> →
<p><b>Mounting options (page 54)</b></p> <ul style="list-style-type: none"> <li><input type="checkbox"/> Inside mount</li> <li><input type="checkbox"/> Recessed mount</li> <li><input type="checkbox"/> Surface mount</li> </ul>	<p><b>Tensioned shade system size</b></p> <p>System width = _____</p> <p>System length = _____ (System includes frame and shade.)</p>	<ul style="list-style-type: none"> <li><input type="checkbox"/> Left drive </li> <li><input type="checkbox"/> Right drive </li> <li><input type="checkbox"/> TBD</li> </ul>
<p><b>Angle of installation (page 53)</b></p> <p>= _____ degrees</p>	<p>Typical maximum system size is 70 sq. ft. (6.5 sq. m).*</p> <p>_____</p> <p><b>Meet-in-the-middle tensioned (custom)</b></p> <p>System width = _____</p> <p>System height = _____</p> <p>Typical maximum system size is 140 sq. ft. (13 sq. m).*</p> <p>* Maximum system size may vary based on fabric selection. Contact Customer Service for actual system size dimensions based on fabric type.</p>	<p><b>Specify wiring topology</b></p> <ul style="list-style-type: none"> <li><input type="checkbox"/> Individual transformers (recommended for installations requiring local wiring)</li> <li><input type="checkbox"/> Power panel (recommended for installations requiring centralized wiring)</li> </ul>

Specify fabric roll detail	Specify fabric	Specify lineal requirements
<p><b>Fabric drop</b></p> <p><input type="checkbox"/> Regular</p>  <p><b>Roller location</b></p> <p><input type="checkbox"/> Top (shade closes from top to bottom)</p> <p><input type="checkbox"/> Bottom (shade closes from bottom to top)</p>	<p><input type="checkbox"/> <b>Sheer</b> These fabrics feature open weaves, so sunlight is filtered while preserving the view</p> <p><input type="checkbox"/> <b>Translucent</b> These fabrics permit some light, but are not open weaves, so the view is limited to shapes and shadows</p> <p><input type="checkbox"/> <b>Blackout</b> These fabrics prevent all light from passing through the material</p> <p>Note: To ensure system stability, only fiberglass-based fabrics are available. Refer to the SCT, Lutron website, or contact Customer Service for details.</p>	<p><b>Frame and fascia metal color:</b></p> <p><input type="checkbox"/> Clear Anodized</p> <p><input type="checkbox"/> White</p> <p><input type="checkbox"/> Custom: _____</p> <p><b>Assembly:</b></p> <p><input type="checkbox"/> Pre-assembled* (ships as a complete product)</p> <p><input type="checkbox"/> Customer assembled (ships as components)</p> <p>See page 101 for control options.</p> <p>* Available for shade sizes up to 30 sq. ft. (2.8 sq. m)</p>

**Angles of installation**

Lutron tensioned shades allow for flexible installation at any angle between  $-135^{\circ}$  and  $135^{\circ}$  with consistent aesthetic results. Shade can close from top to bottom, or from the bottom up, with fabric unrolling closest to the window.

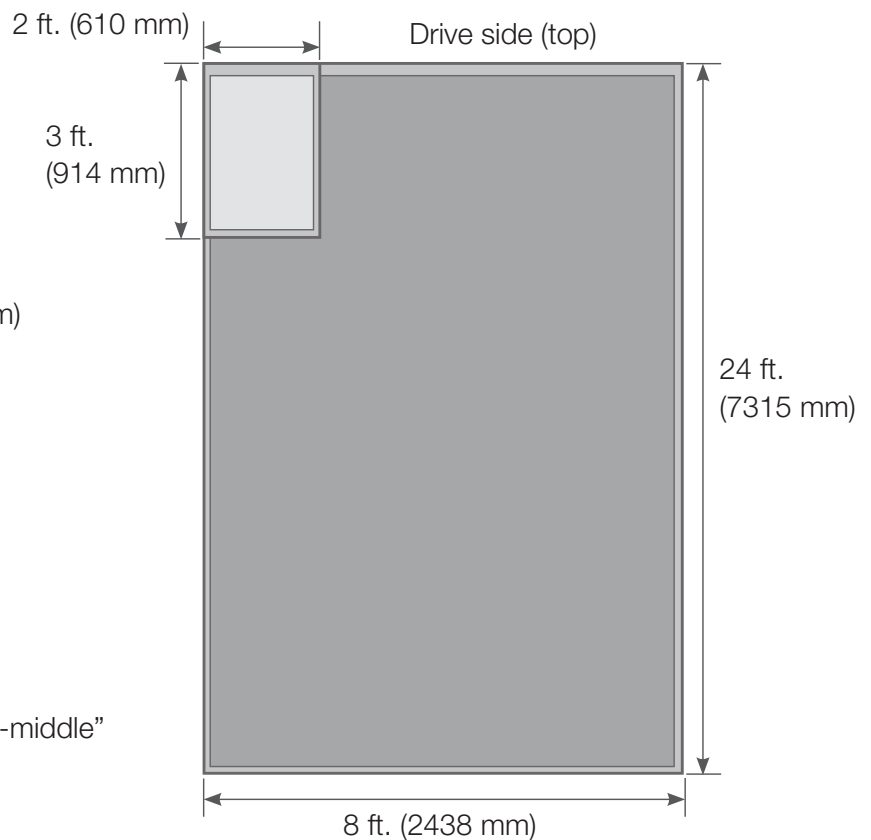


**System parameters\***

This chart illustrates dimensions of the tensioned shade system. System contains frame and shade.

- Minimum system size:  
2 ft. wide x 3 ft. long (610 mm x 914 mm)
- Maximum system size:  
8 ft. wide x 24 ft. long<sup>†</sup>  
(2438 mm x 7315 mm)
- Frame thickness:  
Drive side: 4.65 in. (118 mm)  
Non-drive sides: 2.25 in. (57 mm)

<sup>†</sup> 24 ft. is only achieved as a “Meet-in-the-middle” custom configuration with two systems. Contact Shading Quotes for details.



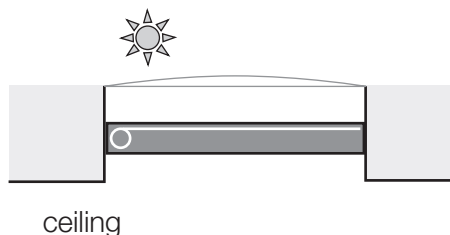


## Mounting options

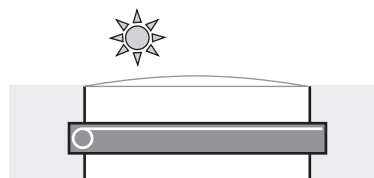
Lutron tensioned shades can be installed inside of, recessed into, or on the surface\* of the skylight or window opening.

### Skylight cross-section

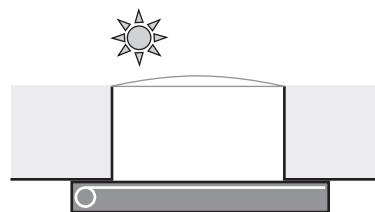
Inside mount  
(standard)



Recessed inside mount  
(new construction)

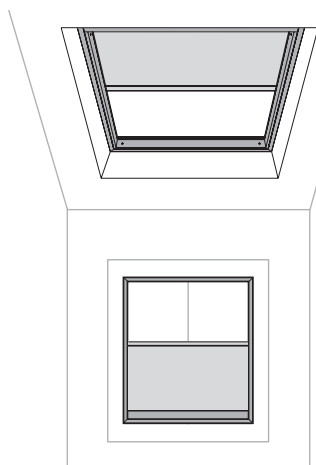


Surface mount (ceiling)\*  
(ideal for retrofit)

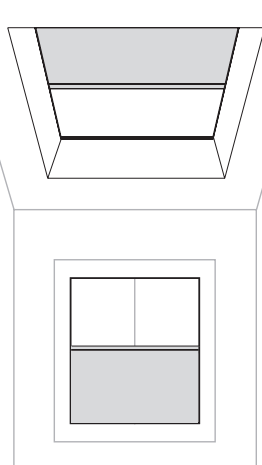


### Skylight and window room view

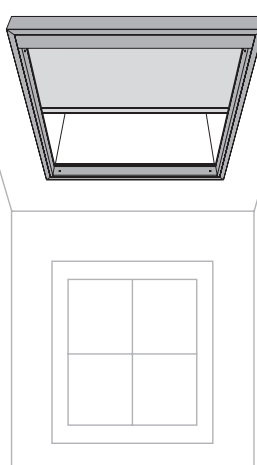
Inside mount



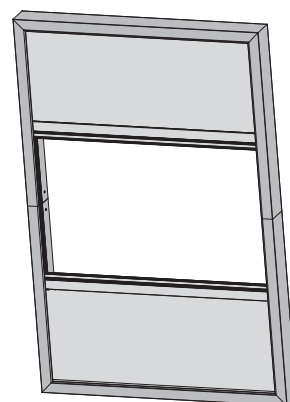
Recessed inside mount



Surface mount (ceiling)\*

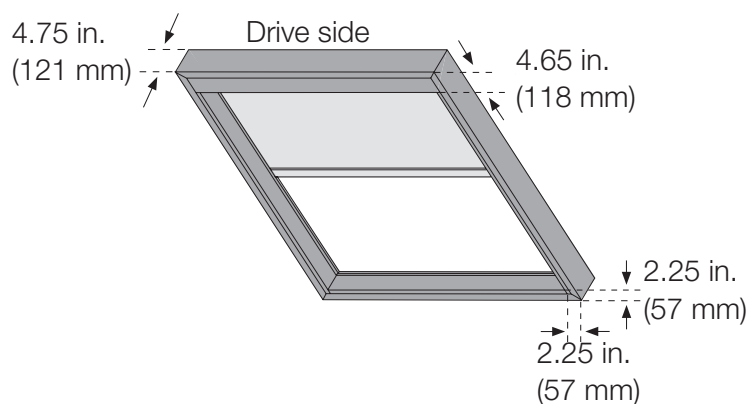


Meet-in-the-middle



### Frame specifications

System is concealed within its frame. Frame thickness and depth remain the same regardless of system size. Pre-assembled shipping available.\*\* Available in White, Clear, Anodized Aluminum, or custom colors.

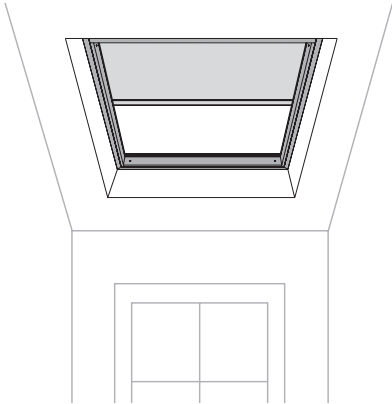


\* Surface mount recommended for skylight applications only.

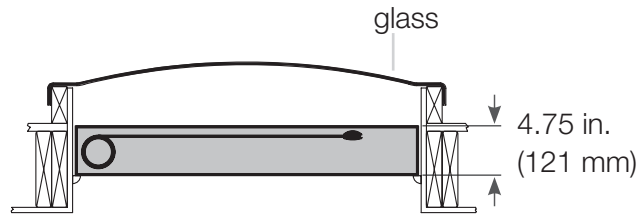
\*\* For shade sizes up to 30 sq. ft. (2.8 sq. m).

**Mounting options**

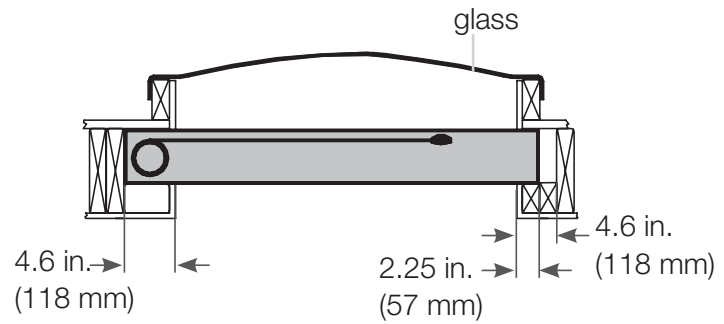
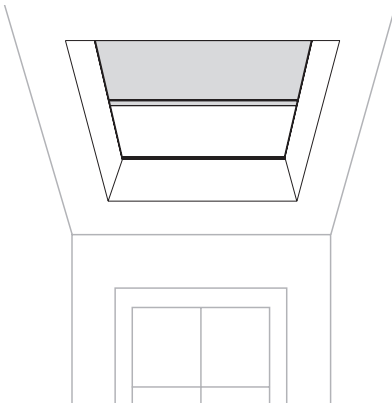
Inside mount



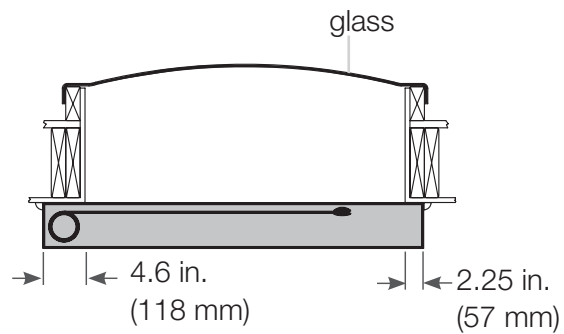
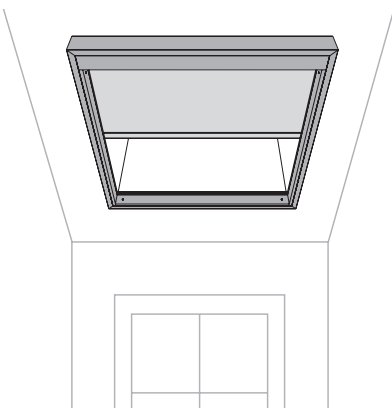
**Cross-section**



Recessed mount



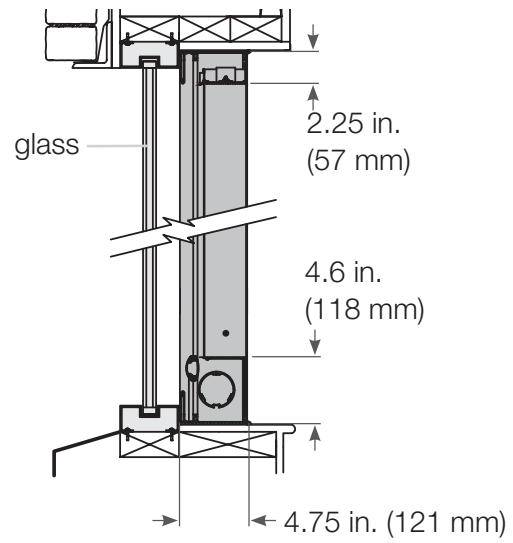
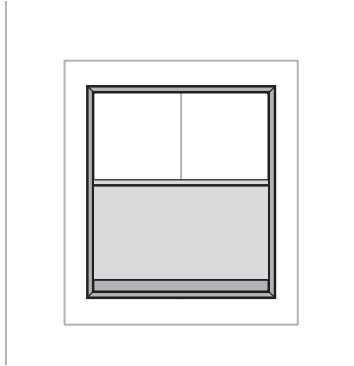
Surface mount (ceiling)\*



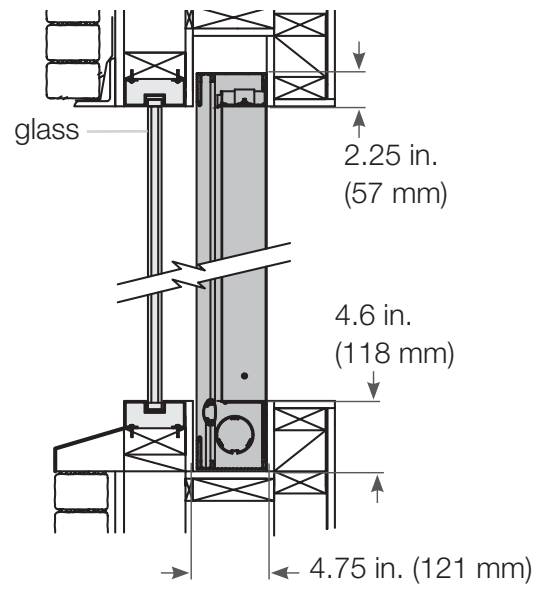
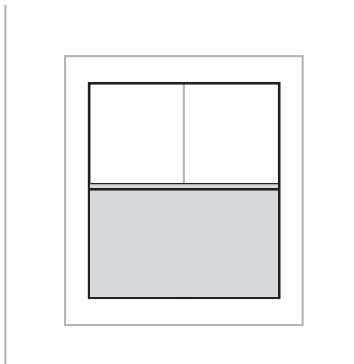
\* Surface mount is only applicable with skylight applications.

## Bottom-up shades

Inside mount



Recessed mount



## Measuring for inside mount tensioned shades

- 1 Measure the opening width at each end and the center (1 2 3), where the frame will be mounted.

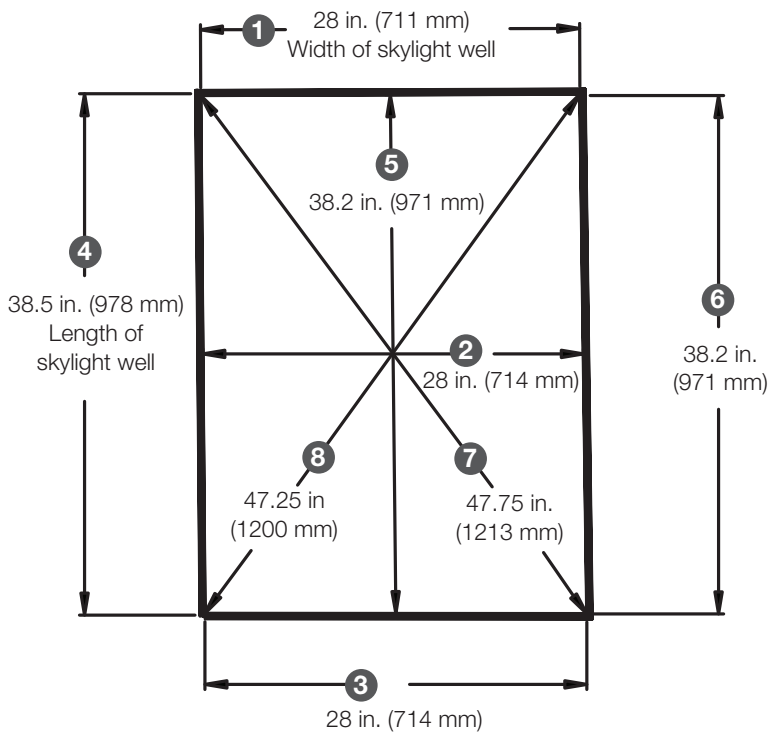
**NOTE:** For sloped ceilings, mount the roller at the top of the opening.

- 2 Measure the opening length at each end and the center (4 5 6), where the frame will be mounted.
- 3 Measure each diagonal (7 8) dimension of the opening.
- 4 Order the shade using the following formula to make sure the frame fits in the opening.

$$\text{Frame Width} = (\text{Minimum measured width}) - \frac{(\text{Maximum diagonal} - \text{Minimum diagonal})}{2}$$

$$\text{Frame Length} = (\text{Minimum measured length}) - \frac{(\text{Maximum diagonal} - \text{Minimum diagonal})}{2}$$

### Example: Skylight well measuring



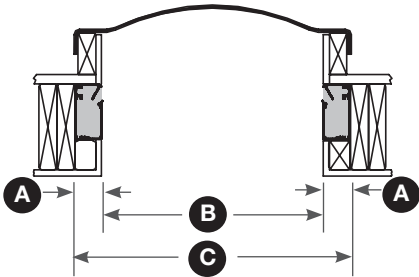
For this opening, order a tensioned shade with the following dimensions:

$$\text{Frame Width} = 28 \text{ in.} - \frac{(47.75 \text{ in.} - 47.25 \text{ in.})}{2} = 27.75 \text{ in.}$$

$$\text{Frame Length} = 38.2 \text{ in.} - \frac{(47.75 \text{ in.} - 47.25 \text{ in.})}{2} = 37.95 \text{ in.}$$

## Recessed mount measuring instructions

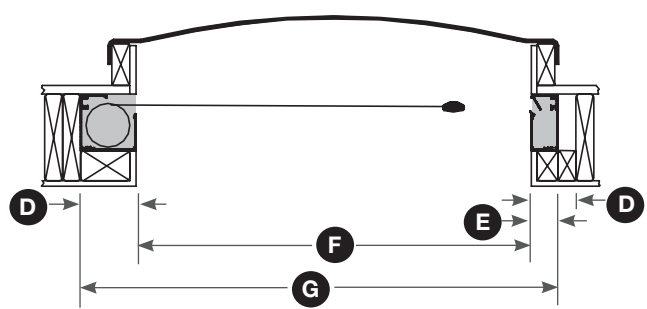
Section view of shade width



### Dimensions

- A** 2.24 in. (57 mm)
- B** Opening width
- C** Frame width  
(= **B** + 4.5 in. [114 mm])

Section view of shade length

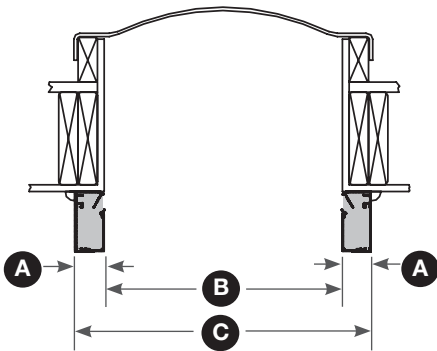


### Dimensions

- D** 4.65 in. (118 mm)
- E** 2.24 in. (57 mm)
- F** Opening length
- G** Frame length  
(= **F** + 6.9 in. [175 mm])

## Surface mount measuring instructions

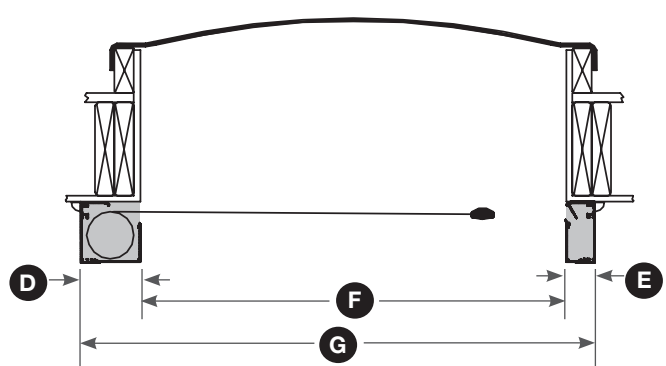
Section view of shade width



### Dimensions

- A** 2.24 in. (57 mm)
- B** Opening width
- C** Frame width  
(= **B** + 4.5 in. [114 mm])

Section view of shade length



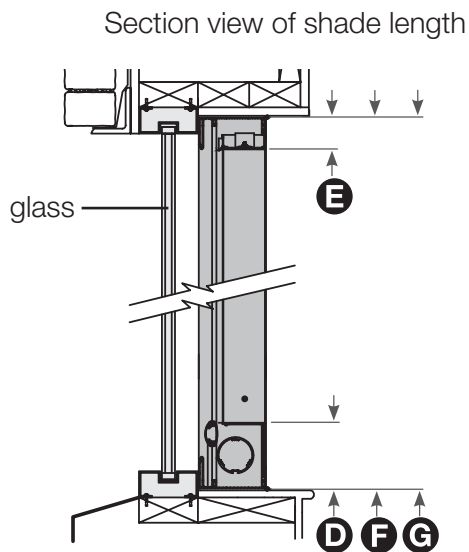
### Dimensions

- D** 4.65 in. (118 mm)
- E** 2.24 in. (57 mm)
- F** Opening length
- G** Frame length  
(= **F** + 6.9 in. [175 mm])

### Inside mount measuring instructions

#### Dimensions

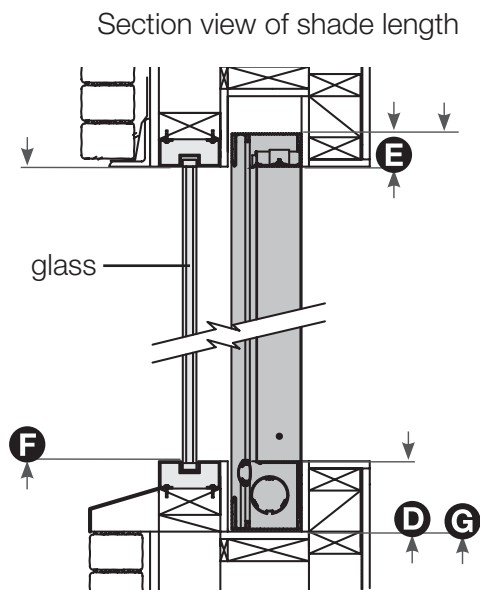
- D** 4.65 in. (118 mm)
- E** 2.24 in. (57 mm)
- F** Opening length
- G** Frame length
- (**F** = **G** for inside mount)



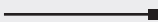

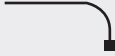



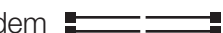






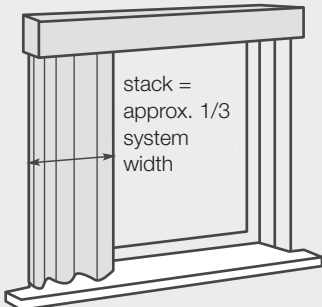
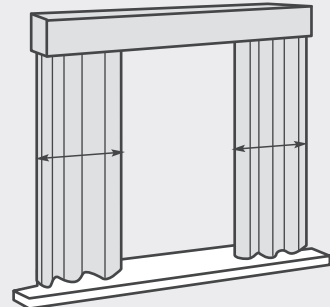
### Pocket/recessed mount measuring instructions

#### Dimensions


- D** 4.65 in. (118 mm)
- E** 2.24 in. (57 mm)
- F** Opening length
- G** Frame length
- (= **F** + 6.9 in. [175 mm])





<p>Determine how drapery track will be installed</p>	<p>Take system measurements</p>	<p>Determine capacity</p>
<p><b>Mounting conditions</b></p> <ul style="list-style-type: none"> <li><input type="checkbox"/> Wall mount</li> <li><input type="checkbox"/> Ceiling mount</li> <li><input type="checkbox"/> Recessed mount</li> </ul> <p><b>Track shape (page 68)</b></p> <ul style="list-style-type: none"> <li><input type="checkbox"/> Straight </li> <li><input type="checkbox"/> Curve </li> <li><input type="checkbox"/> Bend </li> </ul> <p><b>Track type (page 67)</b></p> <ul style="list-style-type: none"> <li><input type="checkbox"/> Single </li> <li><input type="checkbox"/> Dual </li> <li><input type="checkbox"/> Tandem </li> <li><input type="checkbox"/> Dual/Tandem </li> </ul> <p><b>Draw type</b></p> <ul style="list-style-type: none"> <li><input type="checkbox"/> Center draw </li> <li><input type="checkbox"/> Right draw </li> <li><input type="checkbox"/> Left draw </li> </ul> <p><b>Drive side</b></p> <ul style="list-style-type: none"> <li><input type="checkbox"/> Right </li> <li><input type="checkbox"/> Left </li> </ul>	<p><b>Track length**† (inches)</b></p> <p>= _____</p>  <p>* Estimated opening size is approximately 2/3 of length of track</p> <p>† Estimated stack back is approximately 1/3 of length of track</p> <p>Left or right stack**</p>  <p>stack = approx. 1/3 system width</p> <p>Split-draw center stack</p>  <p>each stack = approx. 1/6 system width</p> <p>** Refer to SCT for exact opening size and stack back</p>	<p><b>Drapery weight (lbs.)</b></p> <p>= _____</p> <p>System measurements will determine required drapery capacity</p> <p><b>System capacity (page 75)*</b></p> <ul style="list-style-type: none"> <li><input type="checkbox"/> D105 (105 lbs.)</li> <li><input type="checkbox"/> D145 (150 lbs.)</li> <li><input type="checkbox"/> D175 (175 lbs.) (QS and QS Wireless only)</li> </ul> <p>* Capacities required depend upon drape weight, track shape (bend radius), and track length</p>



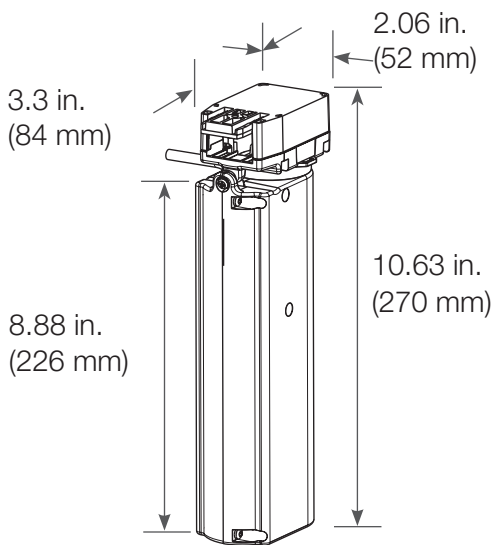
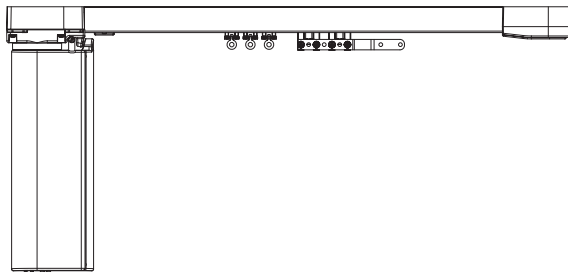
Specify track requirements 	Specify optional features	Specify fabric
<p><b>Pleat style</b></p> <p><input type="checkbox"/> Pinch pleat</p> <p><input type="checkbox"/> Ripplefold*</p>	<p><b>Track splicing (page 69)</b></p> <p><input type="checkbox"/> One splice (ships in two sections)</p> <p><input type="checkbox"/> Two splices (ships in three sections)</p>	<p><input type="checkbox"/> <b>Avant Collection®</b> (see page 136 for more information)</p> <p><input type="checkbox"/> <b>Customer's Own Material (COM)</b> (see page 143 for more information)</p>
<p><b>Fullness (Ripplefold only)</b></p> <p><input type="checkbox"/> 80%</p> <p><input type="checkbox"/> 100%</p> <p><input type="checkbox"/> 120%</p>	<p><input type="checkbox"/> <b>Manual override carrier* (page 70)</b> Available in pinch pleat or ripplefold</p> <p>* Manual override carrier operates on drapery panels weighing up to 70 lbs (31.7 kg). See page 101 for control options.</p>	
<p><b>Track metal color (bracket color to match)</b></p> <p><input type="checkbox"/> Bronze</p> <p><input type="checkbox"/> Clear Anodized</p> <p><input type="checkbox"/> White</p> <p><input type="checkbox"/> Custom _____</p>		



\* Ripplefold curved tracks require custom review.

## System overview

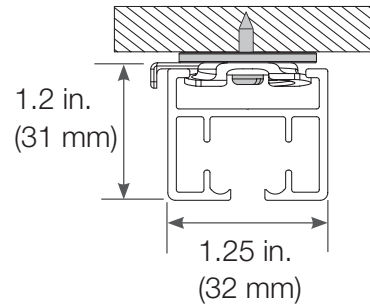
- Provide privacy with elegant draperies of any color and fabric (including customer-supplied)
- One-touch control of individual or groups of draperies to fully open, fully close, or move to preset positions
- Integrates seamlessly with other Lutron systems
- Patented technology eliminates noise in tracks
- Left draw, right draw, split draw and curved systems available



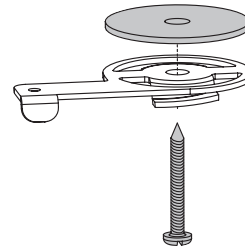
## Brackets

Drapery track systems can be mounted to the wall or to the ceiling. The track is predrilled with mounting holes for recessed mount applications. Holes are spaced at 16 in. (406 mm) intervals from the track center.

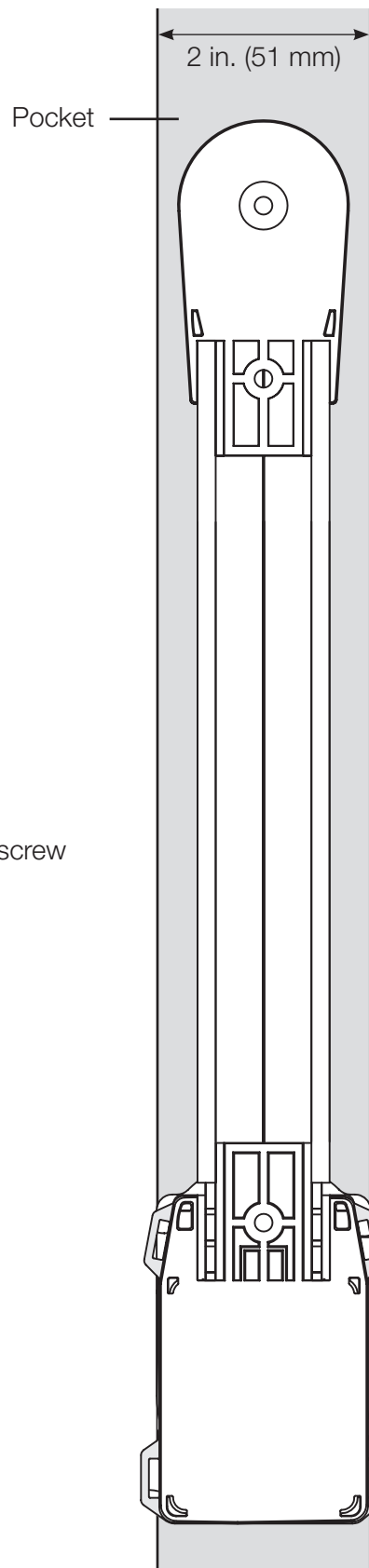
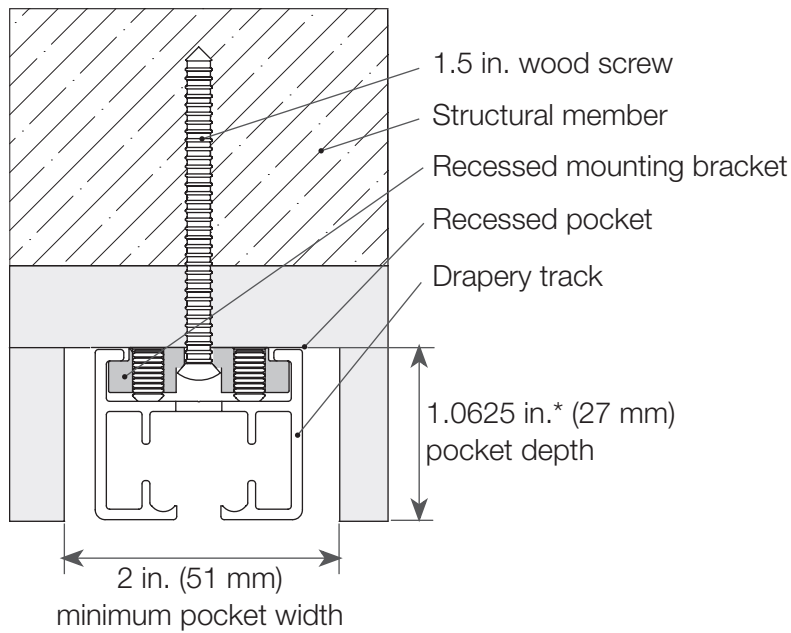
## Ceiling mount bracket



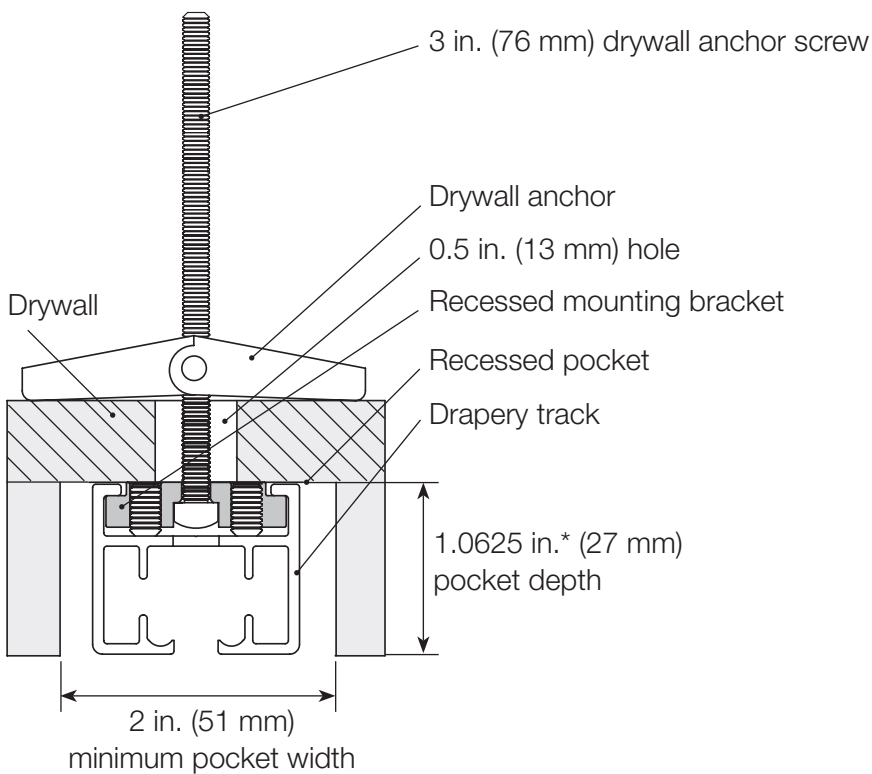
## Ceiling mount bracket exploded view



**Ceiling mount bracket – recessed with wood screw**

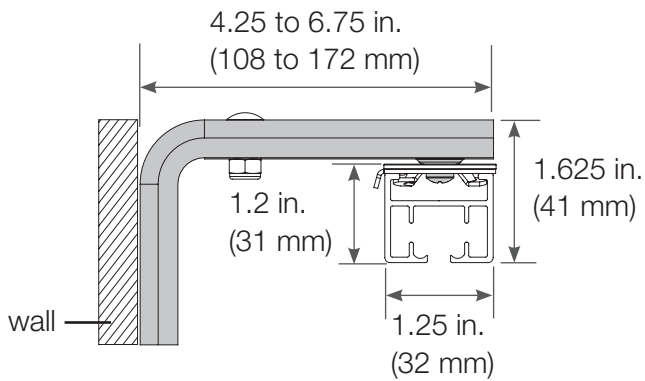


**Ceiling mount bracket – recessed with drywall anchor**

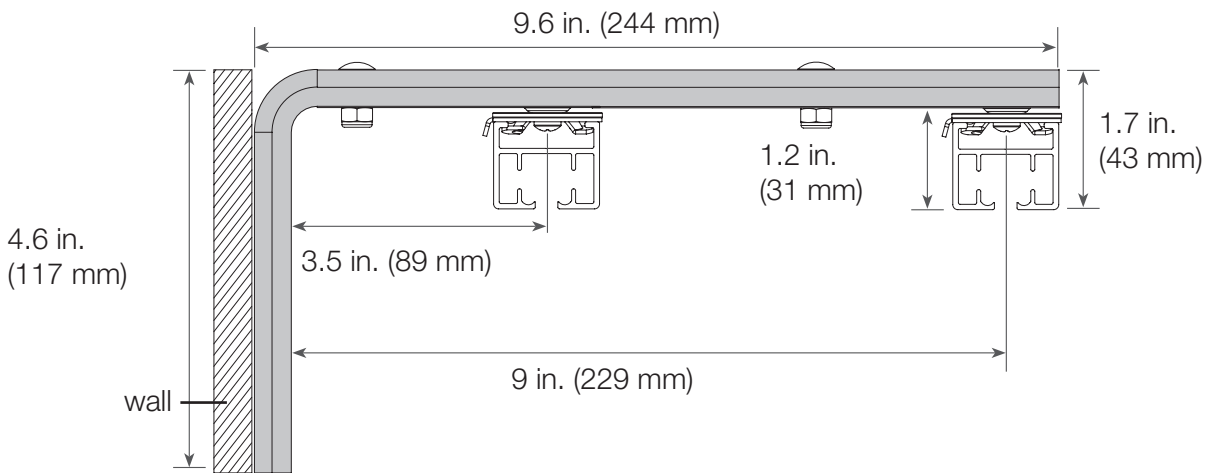


\* 1.0625 in. (27 mm) depth provides complete concealment of the track while maintaining proper clearance for the drapery.

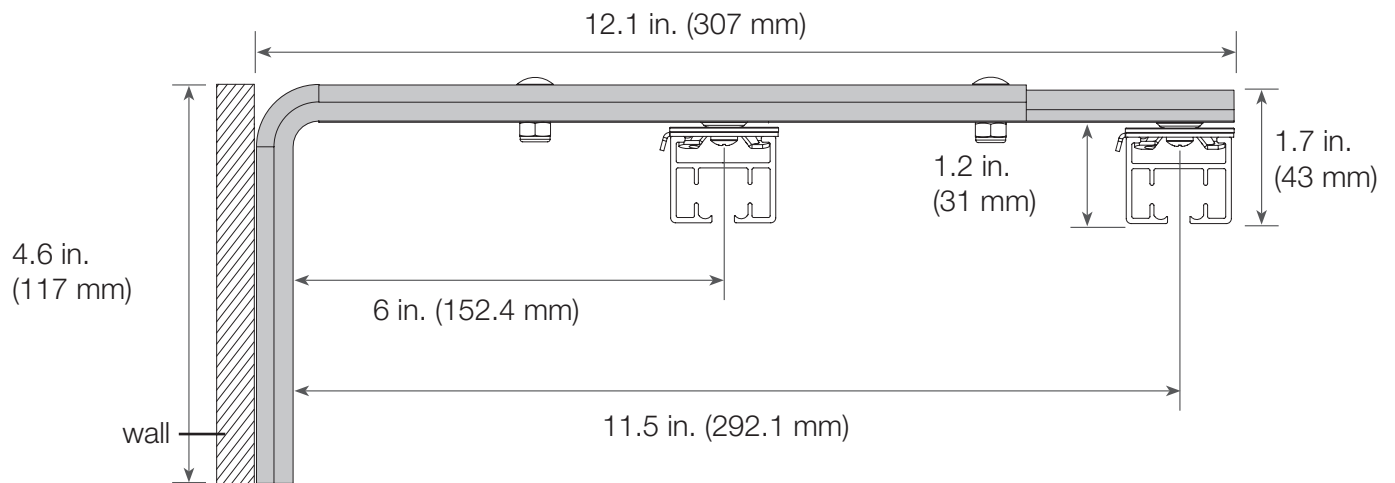
**Wall mount bracket (side view)**



**Dual wall mount bracket (minimum extension)**



**Dual wall mount bracket (maximum extension)**

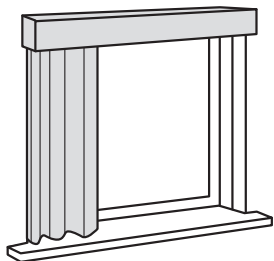


# drapery track | mounting options

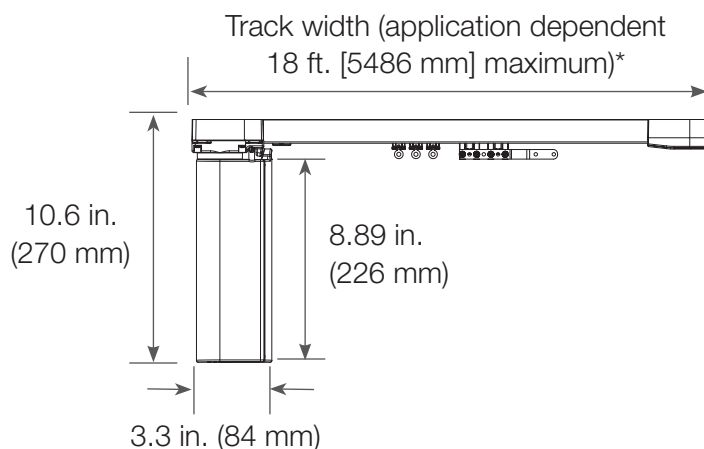
## Straight track mounting options

Specify left draw, right draw, or center draw drapery track options.

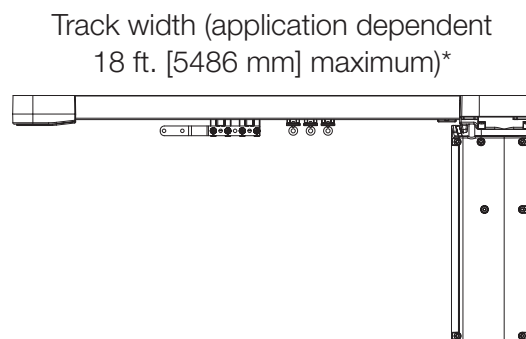
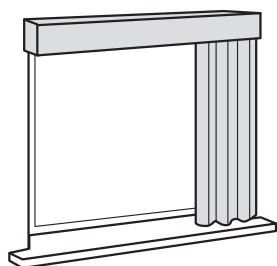
### Left draw/left-mounted EDU



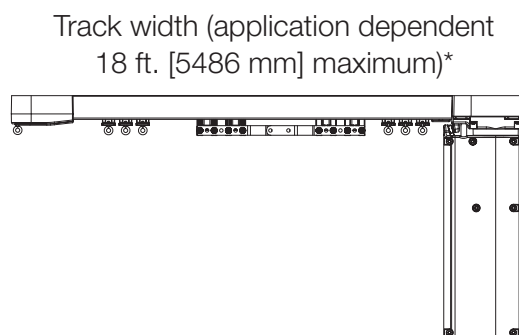
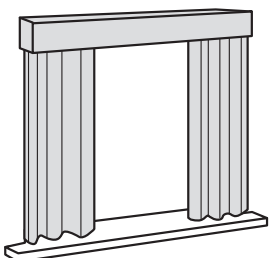
## Track configuration



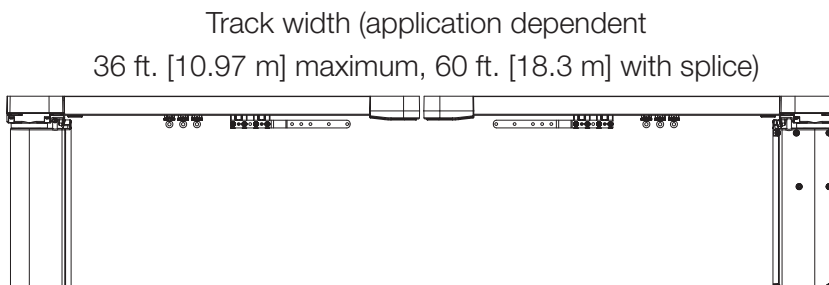
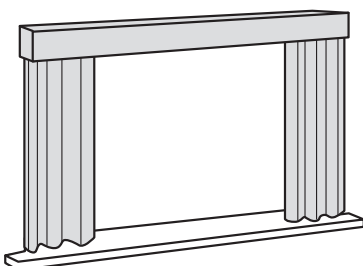
### Right draw/right-mounted EDU



### Split draw, left- or right-mounted EDU



### Tandem draw, left- and right-mounted EDUs



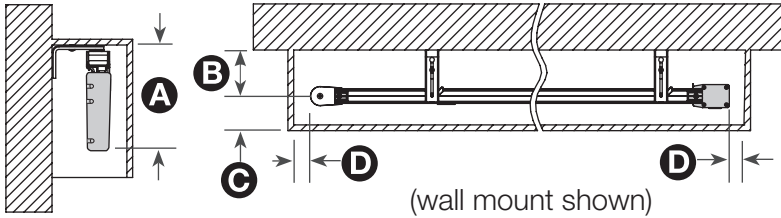
**Note:** Valance and drapery not included

\* 30 ft. (9 m) maximum with splice

# drapery track | system installation

## Single drapery track system

Maintain enough clearance between the drapery track and the inside face of the top treatment or ceiling recess to allow the fabric to move freely.

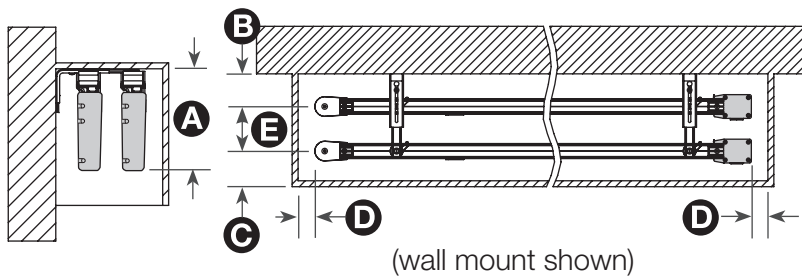


### Dimensions\*

- A** 11.25 in. (286 mm)
- B** 3.5 in. (89 mm)
- C** 2.5 in. (64 mm)
- D** 1 in. (25 mm)

## Dual drapery track system

Lutron drapery tracks can be used for a combination sheer/blackout treatment.

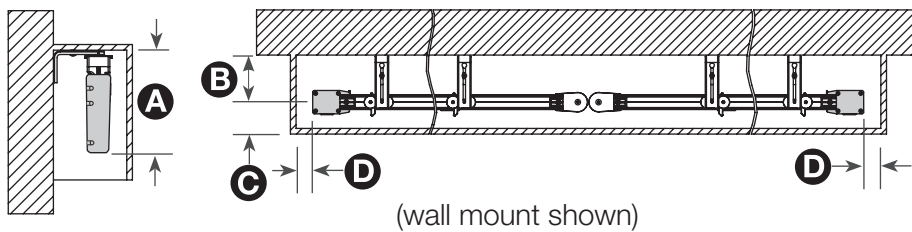


### Dimensions\*

- A** 11.25 in. (286 mm)
- B** 3.5 in. (89 mm)
- C** 2.5 in. (64 mm)
- D** 1 in. (25 mm)
- E** 5.5 in. (140 mm)

## Single, tandem drapery track system

The accuracy of movement and speed control of the drapery track system allows two independent systems to be used to create a center draw drape.

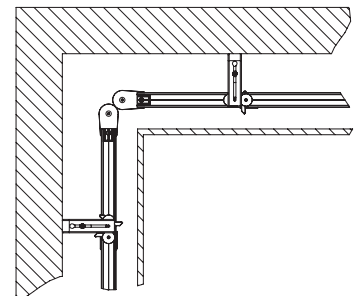


### Dimensions\*

- A** 11.25 in. (286 mm)
- B** 3.5 in. (89 mm)
- C** 2.5 in. (64 mm)
- D** 1 in. (25 mm)

## Corner application

Drapery tracks can be used in corner applications.



## Lutron curved drapery tracks

In addition to straight tracks, Lutron offers its ultra-quiet drapery system for curved applications. The system provides the same smooth movement, all preset capabilities, and robust performance as it does for straight tracks.

- Curved tracks are available in a standard arc or by custom specifications
  - Standard arc: 90° bend with 20 in. (0.5 m) radius
  - Custom: up to 90° bends are possible; curved radius must be greater than 20 in. (0.5 m)
- Center draw and single draw versions are available.

See charts on pages 75–77 for weight capacities of single-bend, drapery track systems. Please contact Customer Service with specific requests.

## Order process:

1. Submit quote request through SCT or contact trained dealer.
2. Your representative will provide you with detailed instructions for laying out an exact template of the track.
3. Upon order, ship the project template to our factory along with your custom job number.
4. Your track order will be processed, and your custom-curved track will ship after production.

Note: Standard 90°, single-bend curved tracks are available in the SCT.

## Curve

D105, D145, or D175\*



## Bend

D105, D145, or D175\*

Double-bend system can be created with tandem single-bend systems.



## Double curve\*\*

D145 or D175\*

Double curve tracks will typically incorporate a splice along a middle straight section for ease of shipping.



## Double bend\*\*

D145 or D175\*

Double-bend tracks will typically incorporate a splice along the middle straight section for ease of shipping.



\* D175 is QS and QS Wireless only.

\*\* Requires 16 in. (406 mm) straight section for splice.

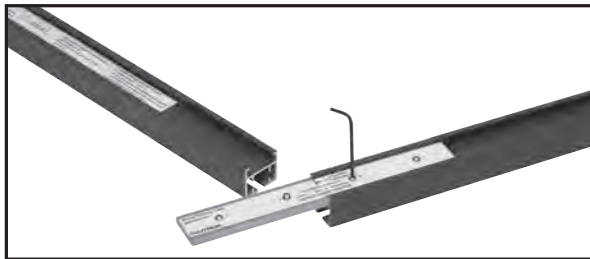
Track splicing is available on finished systems and is a convenient solution for shipping and installing long drapery tracks.

Spliced drapery tracks are shipped from the factory in multiple sections (two equal sections with one track splice, or three equal sections with two track splices) and are easily reconnected at the installation site using a splice bar.

**Benefits:**

- Track maintains quiet operation
- Splice bar allows track to be easily reconnected and ensures a virtually invisible seam
- Allows for:
  - Longer standard track lengths — up to 30 ft. (9,144 mm), up to 60 ft. (18,288 mm) for spliced, tandem systems
  - Shorter packaging and easier transportation of the tracks into and within the installation site

1. Track arrives in equal sections with a splice bar and Allen wrench.



2. Sections slide together and are secured with splice bar.



3. Tightening splice bar screws aligns and joins the two track pieces. Track is spliced together and ready for installation.





# drapery track | manual override carrier

The drapery track system is available with a manual override carrier.\* When manual force is applied to the drapery, the master carrier releases, allowing the drapery to open.

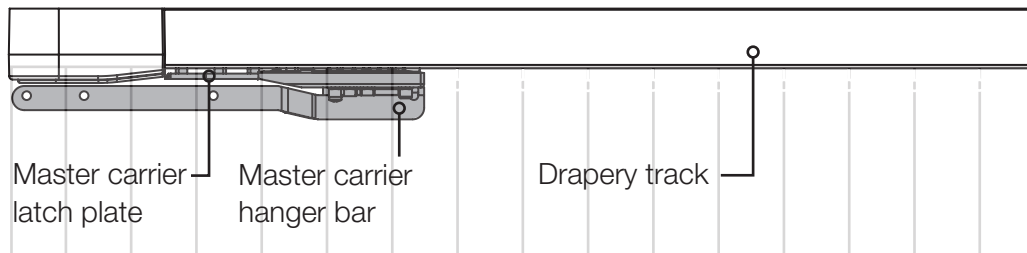
The patented Lutron spring release system is field-adjustable to customize the amount of force necessary to manually open the drapery.

## Benefits:

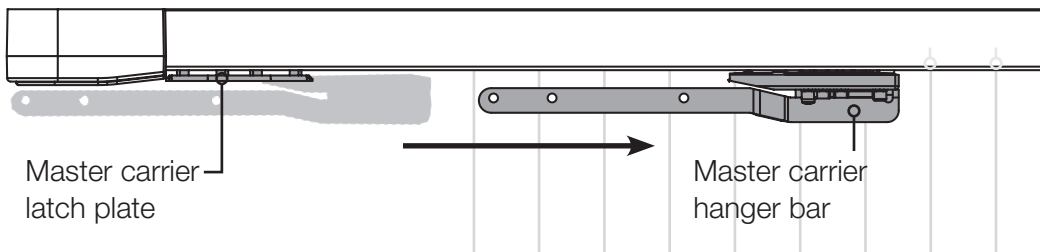
- Open draperies during a power loss for access to daylight and the outside
- Prevent damage to the system if a user attempts to pull open the drapery, not realizing that the track is motorized
- Available for pinch pleat or ripplefold

Pinch pleat carrier shown:

**Engaged:** Master carrier hanger bar is connected to master carrier latch plate.



**Disengaged:** When the drapery is manually opened, master carrier hanger bar releases from master carrier latch plate.

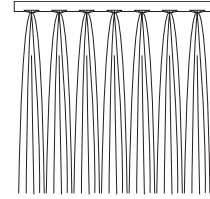


**To re-engage:** Manually re-engage the drapery by pulling it back to the closed position, or press the “Open” button on the drapery control for automatic re-engagement.

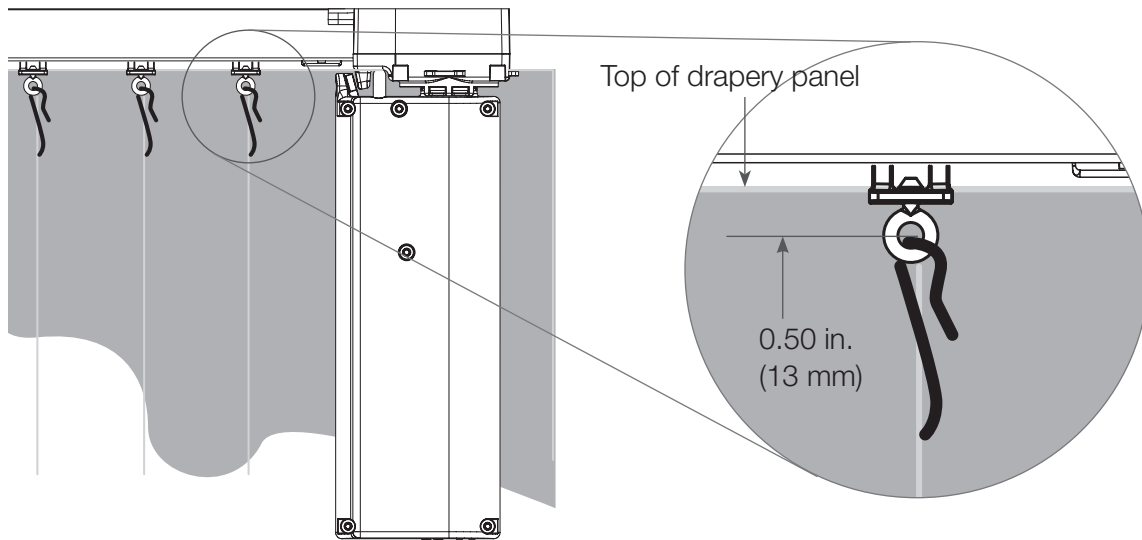
\* Manual override carrier operates on drapery fabric panels weighing up to 70 lbs. (31.7 kg).

## Pinch pleat drapery hook assembly

Pinch pleat style is named for the pleated look created by pinched gatherings of the fabric at the top of the drapery. Pins on the back of the drapery are simply looped through the carriers on the track when installed.

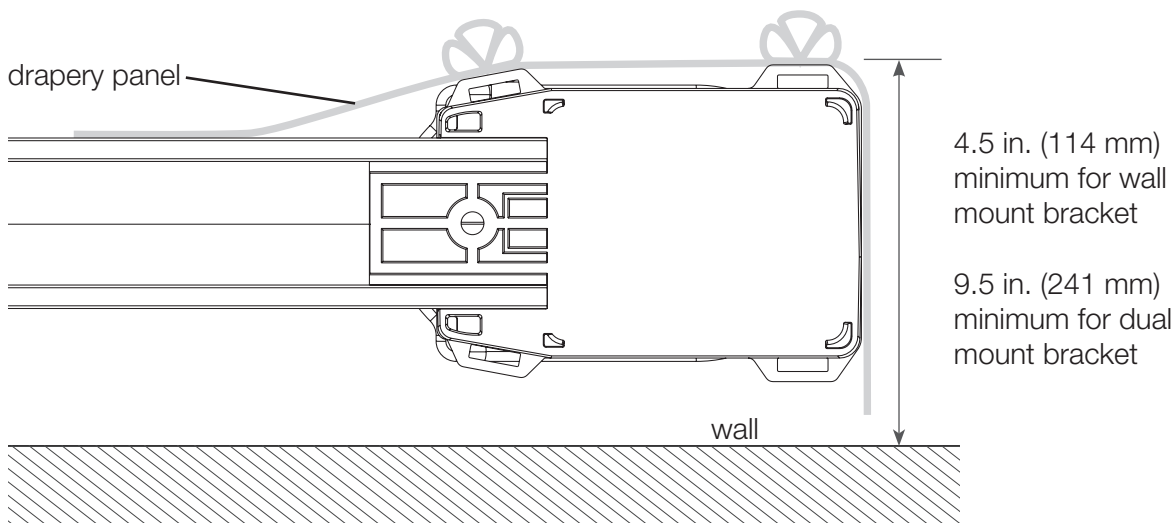


For the best system performance, a drapery hook setting of 0.5 in. (13 mm) from the top of the drapery should be used. This allows the system to operate with minimal noise.



## Drapery fabric return

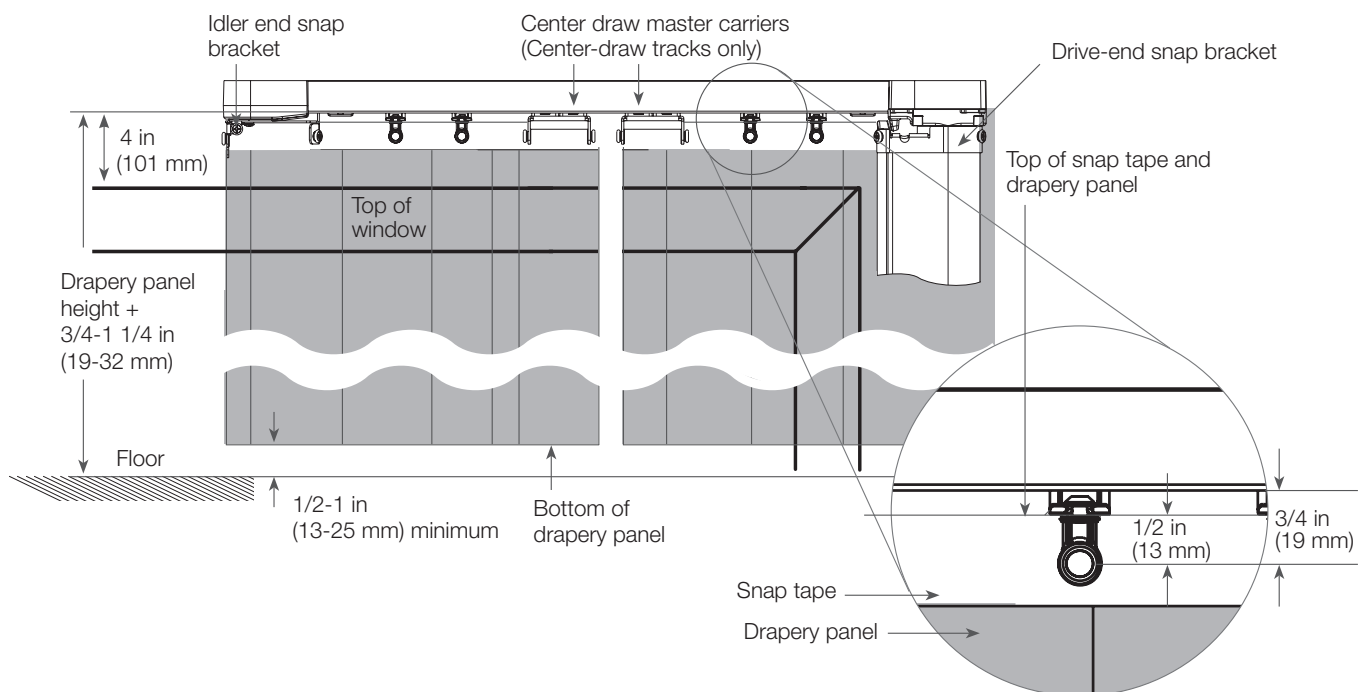
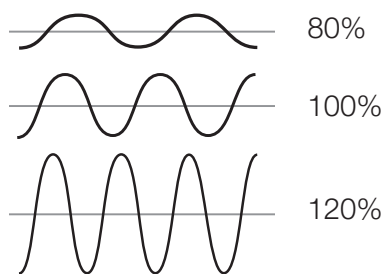
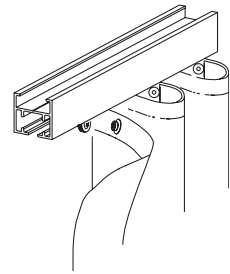
(pinch pleat drapery shown)



## Ripplefold drapery tape assembly

Ripplefold pleat style is named for the soft, consistent ripples created by the drapery as it hangs from the track. It offers an elegant, contemporary look — ideal for both residential and commercial settings.

- Drapery is constructed with snap tape (Grabex® is required) that allows the drapery to be snapped directly to auxiliary carriers on the track.
  - Fullness of the drapery is determined by the spacing of the carriers in the track. The higher the fullness factor, the more full the draperies appear.
- Lutron ripplefold tracks are available in three fullness factors: 80%, 100%, 120%.



Lutron now offers finished drapery panels for use on our electronically controlled drapery track.

Specifying a drapery solution just got easier now that all components are available from Lutron – your single source.

Drapery panels may be made with fabrics from the Avant Collection® or with customer's own material (COM).

### **Customer's Own Material**

COM may be used to create Roman shades, drapery panels, and cornices. Contact Shading Quotes for more information on submitting COM for testing and approval.

### **Process for evaluating COM fabrics for Lutron shading products**

1. Build a quote in the SCT for the product you require, selecting any standard fabric as a placeholder.
2. In the SCT notes field, please include:
  - a. Fabric name
  - b. Color
  - c. Pattern vertical repeat (inches)
  - d. Roll width (inches)
  - e. The related line item number
3. Submit your quote using the Lutron eQuote™ feature.

Lutron will respond to your quote request within 24 hours and will provide you with further instructions, the dimensions of the fabric that will be required for evaluation, and shipping details. Please note that pricing is provided only after COM fabrics are evaluated and approved.



# drapery track | cornices

Cornices may be used on Kirbé® vertical drapery systems, traditional drapery systems, as well as Lutron roller shades. They provide flexibility, as they permit outside mounts for shading systems with no need for constructing pockets.

The clean lines of a straight cornice lend themselves to a contemporary or transitional space. Select a shaped cornice for traditional décor.



Straight cornice



Shape A



Shape B



Shape C



Shape D

Cornices are composed of a .75 in. (19 mm) thick fabric wrapped board with foam padding. All soft fabrics from the Avant Collection® are compatible with cornices.



<b>Lutron   D105 pinch pleat system capacity</b>		
<b>System width</b>	<b>Straight track</b>	<b>Curved track, 1 bend</b>
24 in. to 32 in. (610 mm to 813 mm)	20 lbs. (9.1 kg)	N/A (track too short)
32 in. to 44 in. (813 mm to 1118 mm)	30 lbs. (13.6 kg)	30 lbs. (13.6 kg)
44 in. to 56 in. (1118 mm to 1422 mm)	40 lbs. (18.1 kg)	40 lbs. (18.1 kg)
56 in. to 68 in. (1422 mm to 1727 mm)	55 lbs. (24.9 kg)	50 lbs. (22.7 kg)
68 in. to 84 in. (1727 mm to 2133 mm)	65 lbs. (29.5 kg)	50 lbs. (22.7 kg)
84 in. to 108 in. (2133 mm to 2743 mm)	80 lbs. (36.3 kg)	55 lbs. (24.9 kg)
108 in. to 132 in. (2743 mm to 3353 mm)	105 lbs. (47.6 kg)	55 lbs. (24.9 kg)
132 in. to 156 in. (3353 mm to 3962 mm)	100 lbs. (45.3 kg)	60 lbs. (27.2 kg)
156 in. to 216 in. (3962 mm to 5486 mm)	80 lbs. (36.3 kg)	55 lbs. (24.9 kg)
216 in. to 252 in. (5486 mm to 6401 mm)	70 lbs. (31.7 kg)	50 lbs. (22.7 kg)
252 in. to 288 in. (6401 mm to 7315 mm)	60 lbs. (27.2 kg)	45 lbs. (20.4 kg)
288 in. to 324 in. (7315 mm to 8230 mm)	50 lbs. (22.7 kg)	45 lbs. (20.4 kg)
324 in. to 360 in. (8230 mm to 9144 mm)	40 lbs. (18.1 kg)	35 lbs. (15.9 kg)

**Notes for all drive systems:**

- A pinch pleat fullness ratio of 3:1 is allowable for sheer draperies only. All other draperies can have a fullness ratio up to 2.5:1.
- Curved radius to be 20 in. (0.5 m) or greater.

<b>Lutron   D105 ripplefold system capacity</b>	
<b>System width</b>	<b>Straight track</b>
24 in. to 32 in. (610 mm to 813 mm)	30 lbs. (13.6 kg)
32 in. to 44 in. (813 mm to 1118 mm)	40 lbs. (18.1 kg)
44 in. to 56 in. (1118 mm to 1422 mm)	55 lbs. (24.9 kg)
56 in. to 68 in. (1422 mm to 1727 mm)	70 lbs. (31.7 kg)
68 in. to 108 in. (1727 mm to 2743 mm)	85 lbs. (38.5 kg)
108 in. to 156 in. (2743 mm to 3962 mm)	65 lbs. (29.5 kg)
156 in. to 180 in. (3962 mm to 4572 mm)	40 lbs. (18.1 kg)
180 in. to 216 in. (4572 mm to 5486 mm)	10 lbs. (4.5 kg) for 80% fullness 10 lbs. (4.5 kg) for 100% fullness n/a (capacity limit) for 120% fullness

For curved ripplefold systems, please contact the shading solutions service team at 1.888.LUTRON1

<b>Lutron   D145 pinch pleat system capacity</b>			
<b>System width</b>	<b>Straight track</b>	<b>Curved track, 1 bend</b>	<b>Curved track, 2 bends</b>
24 in. to 32 in. (610 mm to 813 mm)	20 lbs. (9.1 kg)	N/A	N/A
32 in. to 44 in. (813 mm to 1118 mm)	30 lbs. (13.6 kg)	30 lbs. (13.6 kg)	N/A
44 in. to 56 in. (1118 mm to 1422 mm)	40 lbs. (18.1 kg)	40 lbs. (18.1 kg)	N/A
56 in. to 68 in. (1422 mm to 1727 mm)	55 lbs. (24.9 kg)	55 lbs. (24.9 kg)	40 lbs. (18.1 kg)
68 in. to 84 in. (1727 mm to 2134 mm)	65 lbs. (29.5 kg)	65 lbs. (29.5 kg)	45 lbs. (20.4 kg)
84 in. to 108 in. (2134 mm to 2743 mm)	80 lbs. (36.3 kg)	80 lbs. (36.3 kg)	50 lbs. (22.7 kg)
108 in. to 144 in. (2743 mm to 3657 mm)	105 lbs. (47.6 kg)	85 lbs. (38.6 kg)	50 lbs. (22.7 kg)
144 in. to 180 in. (3657 mm to 4572 mm)	145 lbs. (65.8 kg)	90 lbs. (40.8 kg)	55 lbs. (24.9 kg)
180 in. to 216 in. (4572 mm to 5486 mm)	135 lbs. (61.2 kg)	95 lbs. (43 kg)	55 lbs. (24.9 kg)
216 in. to 252 in. (5486 mm to 6400 mm)	120 lbs. (54.4 kg)	95 lbs. (43 kg)	55 lbs. (24.9 kg)
252 in. to 288 in. (6400 mm to 7315 mm)	110 lbs. (49.9 kg)	95 lbs. (43 kg)	50 lbs. (22.7 kg)
288 in. to 324 in. (7315 mm to 8230 mm)	100 lbs. (45.4 kg)	90 lbs. (40.8 kg)	50 lbs. (22.7 kg)
324 in. to 360 in. (8230 mm to 9144 mm)	90 lbs. (40.8 kg)	85 lbs. (38.6 kg)	45 lbs. (20.4 kg)

**Notes for all drive systems:**

- A pinch pleat fullness ratio of 3:1 is allowable for sheer draperies only. All other draperies can have a fullness ratio up to 2.5:1.
- Curved radius to be 20 in. (0.5 m) or greater.

<b>Lutron   D145 ripplefold system capacity</b>	
<b>System width</b>	<b>Straight track</b>
24 in. to 32 in. (610 mm to 813 mm)	30 lbs. (13.6 kg)
32 in. to 44 in. (813 mm to 1118 mm)	40 lbs. (18.1 kg)
44 in. to 56 in. (1118 mm to 1422 mm)	55 lbs. (24.9 kg)
56 in. to 68 in. (1422 mm to 1727 mm)	70 lbs. (31.7 kg)
68 in. to 84 in. (1727 mm to 2133 mm)	85 lbs. (38.5 kg)
84 in. to 108 in. (2133 mm to 2743 mm)	105 lbs. (47.6 kg)
108 in. to 132 in. (2743 mm to 3353 mm)	140 lbs. (63.5 kg)
132 in. to 168 in. (3353 mm to 4267 mm)	125 lbs. (56.9 kg)
168 in. to 216 in. (4267 mm to 5486 mm)	90 lbs. (40.8 kg)
216 in. to 252 in. (5486 mm to 6400 mm)	50 lbs. (22.7 kg)

For curved ripplefold systems, please contact the shading solutions service team at 1.888.LUTRON1

<b>Lutron   D175 pinch pleat system capacity</b>			
<b>System width</b>	<b>Straight track</b>	<b>Curved track, 1 bend</b>	<b>Curved track, 2 bends</b>
24 in. to 32 in. (610 mm to 813 mm)	20 lbs. (9.1 kg)	N/A	N/A
32 in. to 44 in. (813 mm to 1118 mm)	30 lbs. (13.6 kg)	30 lbs. (13.6 kg)	N/A
44 in. to 56 in. (1118 mm to 1422 mm)	40 lbs. (18.1 kg)	40 lbs. (18.1 kg)	N/A
56 in. to 68 in. (1422 mm to 1727 mm)	55 lbs. (24.9 kg)	55 lbs. (24.9 kg)	55 lbs. (24.9 kg)
68 in. to 84 in. (1727 mm to 2134 mm)	65 lbs. (29.5 kg)	65 lbs. (29.5 kg)	65 lbs. (29.5 kg)
84 in. to 108 in. (2134 mm to 2743 mm)	80 lbs. (36.3 kg)	80 lbs. (36.3 kg)	70 lbs. (31.8 kg)
108 in. to 132 in. (2743 mm to 3353 mm)	105 lbs. (47.6 kg)	105 lbs. (47.6 kg)	80 lbs. (36.3 kg)
132 in. to 168 in. (3353 mm to 4267 mm)	130 lbs. (59.0 kg)	120 lbs. (54.4 kg)	85 lbs. (38.6 kg)
168 in. to 216 in. (4267 mm to 5486 mm)	165 lbs. (74.8 kg)	125 lbs. (56.7 kg)	90 lbs. (40.8 kg)
216 in. to 252 in. (5486 mm to 6401 mm)	175 lbs. (79.4 kg)	130 lbs. (59.0 kg)	95 lbs. (43.1 kg)
252 in. to 288 in. (6401 mm to 7315 mm)	165 lbs. (74.8 kg)	135 lbs. (61.2 kg)	95 lbs. (43.1 kg)
288 in. to 324 in. (7315 mm to 8230 mm)	155 lbs. (70.3 kg)	135 lbs. (61.2 kg)	90 lbs. (40.8 kg)
324 in. to 360 in. (8230 mm to 9144 mm)	145 lbs. (65.8 kg)	135 lbs. (61.2 kg)	90 lbs. (40.8 kg)

**Notes:**

- A pinch pleat fullness ratio of 3:1 is allowable for sheer draperies only. All other draperies can have a fullness ratio up to 2.5:1.
- Curved radius to be 20 in. (0.5 m) or greater.

<b>Lutron   D175 ripplefold system capacity</b>	
<b>System width</b>	<b>Straight track</b>
24 in. to 32 in. (610 mm to 813 mm)	30 lbs. (13.6 kg)
32 in. to 44 in. (813 mm to 1118 mm)	40 lbs. (18.1 kg)
44 in. to 56 in. (1118 mm to 1422 mm)	55 lbs. (24.9 kg)
56 in. to 68 in. (1422 mm to 1727 mm)	70 lbs. (31.8 kg)
68 in. to 84 in. (1727 mm to 2134 mm)	85 lbs. (38.6 kg)
84 in. to 108 in. (2134 mm to 2743 mm)	105 lbs. (47.6 kg)
108 in. to 132 in. (2743 mm to 3353 mm)	140 lbs. (63.5 kg)
132 in. to 168 in. (3353 to 4267 mm)	165 lbs. (74.8 kg)
168 in. to 216 in. (4267 mm to 5486 mm)	155 lbs. (70.3 kg)
216 in. to 252 in. (5486 mm to 6401 mm)	130 lbs. (59.0 kg)
252 in. to 288 in. (6401 mm to 7315 mm)	100 lbs. (45.4 kg)
288 in. to 324 in. (7315 mm to 8230 mm)	55 lbs. (24.9 kg)
324 in. to 360 in. (8230 mm to 9144 mm)	50 lbs. (22.7 kg) for 80%
	50 lbs. (22.7 kg) for 100%
	N/A (capacity limit) for 120%







An industry first – this entirely new type of window treatment smoothly pulls the drapery up and out of the way at the touch of a button.

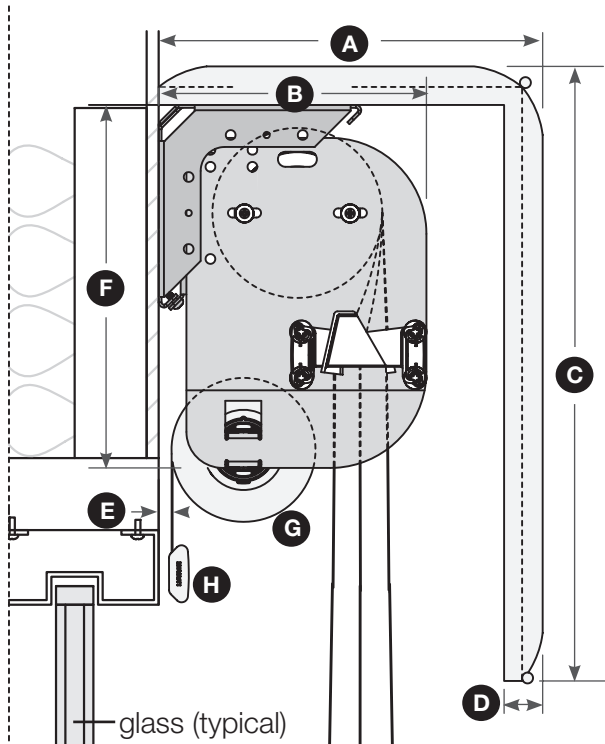
Kirbé is currently offered with sheer fabrics from the Avant Collection® that range from traditional neutrals to bold shimmering patterns.

Optional roller 64™ or roller 100™ integrate seamlessly with the standard Kirbé brackets to allow for complete privacy and additional light blocking capability.

Finish off the look of your Kirbé with a Lutron cornice (see page 74).

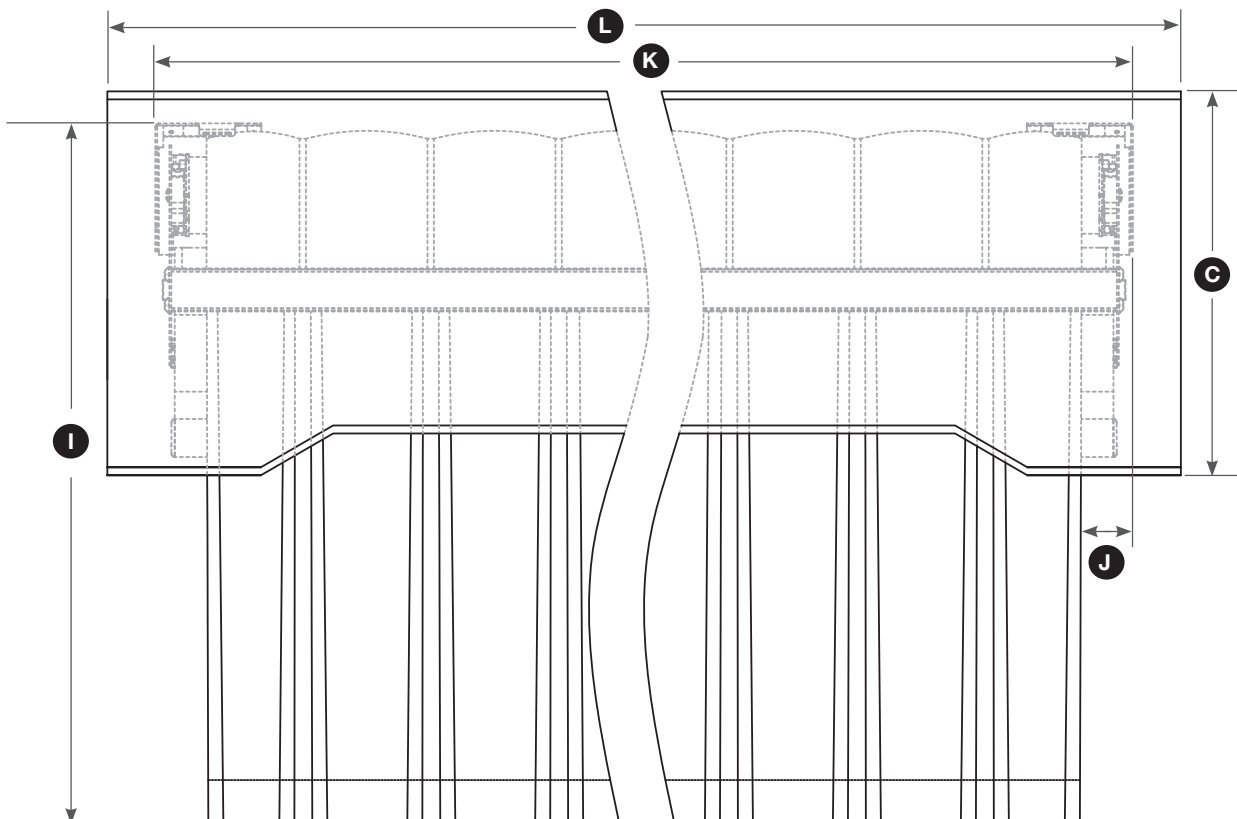
Kirbé is also available with a manual clutch uptake system.

**Kirbé® vertical drapery system example installation (roller 64™ shown)**



**Dimensions**

- A** 8 in. (203 mm) minimum cornice depth
- B** 5.58 in. (142 mm)
- C** 12 in. (305 mm) recommended cornice height
- D** 0.75 in. (19 mm)
- E** 0.27 in. (7 mm)
- F** 7.56 in. (192 mm) wood blocking
- G** Max rollup = 3 in. (76 mm)
- H** Hembar
- I** 36 in. (914 mm) minimum height
- J** 1.5 in. (38 mm) minimum light gap
- K** 24 in. (610 mm) minimum width
- L** Cornices must be ordered 2 in. (51 mm) larger than Kirbé width



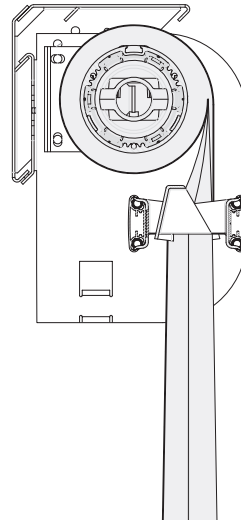
Kirbé eliminates stackback—the mass of fabric left when a traditional drapery is opened—and features a number of innovations that make rolling pleated fabric in a window treatment possible.

### Header mechanism

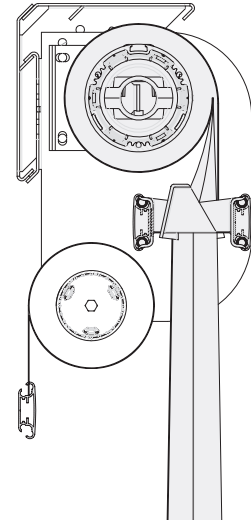
Reliably and delicately smooths and pleats fabric as it is taken into and let out of the mechanism.

### Perma-pleat™ bottom bar

Weights fabric and maintains a smooth and even pleat to keep drape uniform.



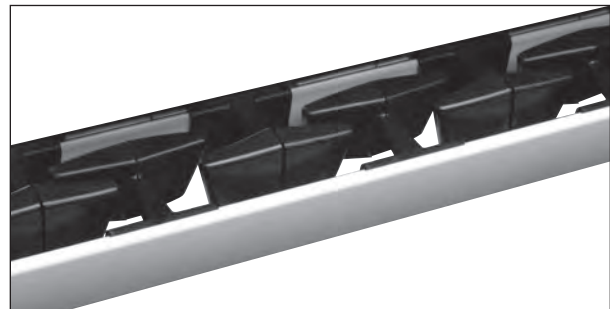
Header mechanism



With optional roller shade



Perma-pleat bottom bar



Header mechanism



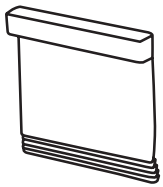
Header mechanism with Kirbé fabric



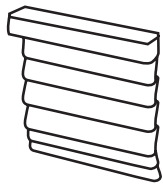
## Lutron Roman shades with CERUS® safety technology

A revolutionary design in Roman shades, the Cord Eliminating Roman Uptake System (CERUS) eliminates lifting cords associated with normal Roman shade construction and creates an industry first for safer shades with silent and smoother operation. The drives used in Lutron Roman shades have specific hardware to ensure smooth motion on a Roman shade, which has different loading than a roller shade (roller 64™ and roller 100™ drives available).

Lutron Roman shades are offered in four styles:



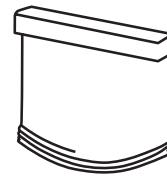
**Flat**



**Hobbled**



**Knife**



**Casual**

### About CERUS safety technology.

Eliminating cords from the traditional construction of Roman shades has four major advantages.

#### Improved reliability

With the elimination of cords, the Roman shade will never become tangled, ensuring the shade will work perfectly every time.

#### Superior performance

CERUS also allows for a smoother, more even travel of the shade, since a cord is not stacking and slipping as it rolls. Additionally, Lutron electronic drive units (EDUs) for Roman shades have upgraded software for enhanced precision movement.

#### Quiet operation

Lifting cords slip and stack as the shade rolls, creating a noticeable noise that can be amplified if the cords become entangled. Replacing these cords with CERUS bands eliminates those issues, allowing your near-silent EDU (38 dBA at 3 ft.) to operate quietly and not disrupt occupants in a space.

#### Advanced safety

CERUS safety technology allows for a safer Roman shade system by utilizing uptake bands in place of exposed inner cords. Inner cords may pose a strangulation hazard to small children.



CERUS uptake band



## Roman shade dimensions

In order to expand Roman shades sizes, we developed a 2-on-1 and 3-on-1 headrail system. This allows for multiple fabric/woven woods panels to be attached to one headrail with the ability to custom place each panel, and takes into consideration window mullions and hardware. There is a minimum light gap requirement of at least 0.5 in. between woven woods panels; there is no requirement for soft fabrics.

	Maximum Dimensions*	
	Soft Fabrics	Woven Woods
1-on-1 system	102 in. w x 120 in. h (mm x mm)	Roll width x 120 in. h (Roll width x mm)
2-on-1 system	144 in. w x 120 in. h (mm x mm)	144 in. w x 120 in. h (mm x mm)
3-on-1 system	144 in. w x 120 in. h (mm x mm)	144 in. w x 120 in. h (mm x mm)

## Headrail and Drive Configurations

Headrail depth	2.5 in. (64 mm)	3 in. (76 mm)	4.5 in. (114 mm)	5 in. (127 mm)
<b>Front control</b>				
roller 64™		•	•	•
roller 100™				•
roller 150™				•
Manual clutch V8		•	•	•
Manual clutch V16			•	•
Manual clutch V24				•
<b>Back control</b>				
roller 64	•	•	•	•
roller 100			•	•
roller 150			•	•
Manual clutch V8	•	•	•	•
Manual clutch V16	•	•	•	•
Manual clutch V24			•	•

## Fabric selection

Roman shades can be made using soft fabrics or woven woods from the Avant Collection®, or with a customer's own material (see page 143 for details on COM approval process).

Visit the Fabrics page ([www.lutron.com/Fabrics](http://www.lutron.com/Fabrics)) for the most up to date information on our fabric selection.







Venetian blinds are an attractive and effective way to ensure privacy, while still allowing daylight to filter into a space.

Lutron exclusive independent lift and tilt technology maintains uniform tilt and lift positions between blinds and combines smooth, quiet motion with separate control of tilt and lift for the ultimate in style and convenience.

## Lutron innovation

### Independent control of tilt and lift

- Adjust position of blinds without affecting the angle of slats

### Precision control for groups of blinds

- Lutron technology maintains uniform tilt and lift positions across multiple blinds
- Blinds maintain Intelligent Hembar Alignment™, which has become the hallmark of Lutron shades

### Recall presets

- Blinds adjust to a pre-determined height and tilt angle when a preset is recalled
- Multiple presets can be defined for the same blind or group of blinds

### Fine-tune light and privacy levels

- Venetian blind controls offer tilt adjustment buttons for precise positioning
- Range of tilt can be adjusted from full tilt in either direction down to a fixed tilt angle

## Style

Lutron Venetian blinds can be customized to your room's design. Or choose exotic materials such as leather and bamboo from the Impact line of the Euro Collection with Coulisse.



**NEW Avant Venetian collection**  
**Coming Fall 2014**

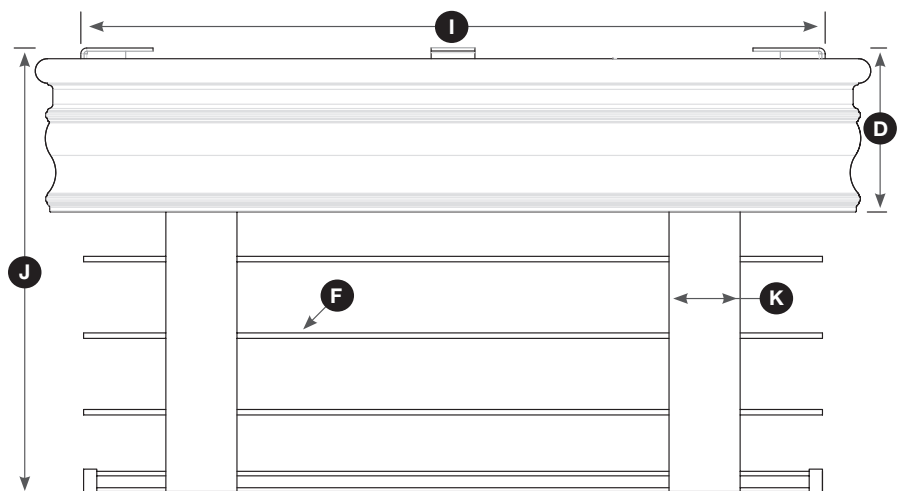
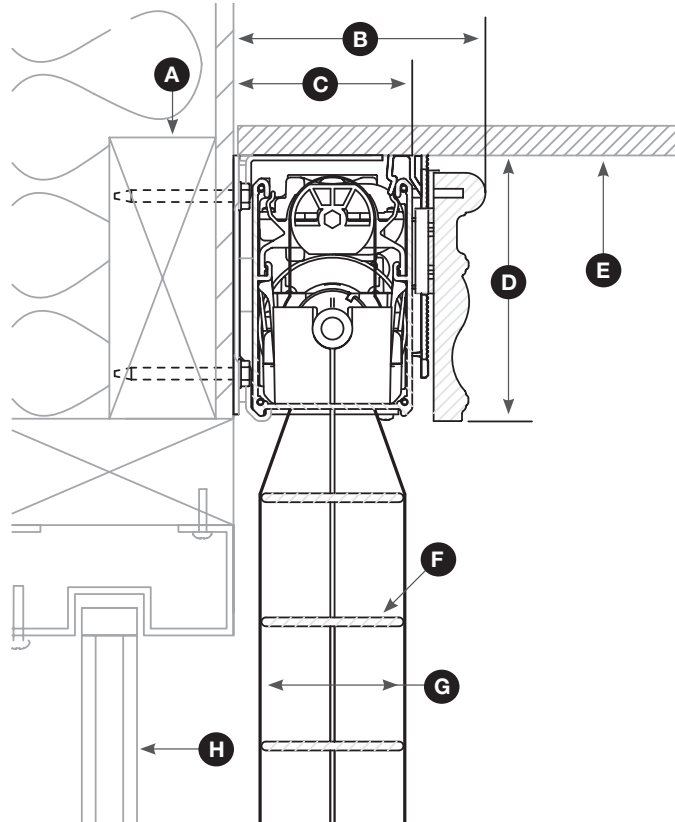


**Decorative tapes** (optional)  
Cover operational cords, adding a colorful accent to Venetian blinds.

## Venetian blinds example dimensions

### Dimensions

- A** Wood blocking
- B** 3.55 in. (90 mm)
- C** 2.52 in. (64 mm)
- D** 3.75 in. (95 mm)
- E** Finished ceiling
- F** Wood slats shown
- G** 2 in. (50 mm)
- H** Glazing (typical)
- I** 24 in. (610 mm)  
minimum headrail width
- J** 12 in. (305 mm)  
minimum blind height
- K** 1.63 in. (41 mm)  
optional tape





Beautiful fabric meets industry-leading technology in these window treatments, where the soft elegance of a sheer is paired with the precise control of a blind.

Sheer layers combined with fabric vanes provide the perfect blend of filtered sunlight inside a space and view to the outside, while maximizing the control of both. Sheer layers also offer privacy, even when vanes are open. Fabric-wrapped fascia gives the option of matching the top treatment to the blind, or a custom cornice can be installed to finish the look.

## 2 inch vane (roller 64™)

Roller 64 can operate up to 64 ft<sup>2</sup> of fabric.

### Size

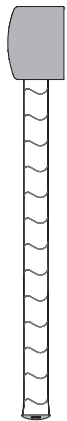
- Tube size: 1.625 in. diameter
- Typical maximum size of fabric\*: 64 ft<sup>2</sup>

### Mounting options

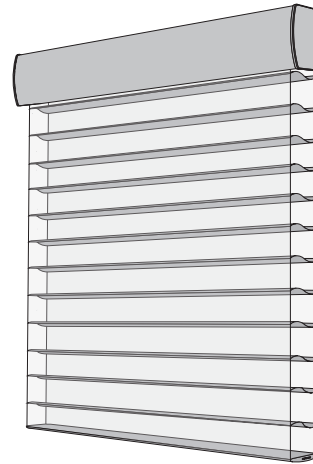
- wall or ceiling mount uses bracket that mounts to metal top-back cover
- Minimum bracket-to-bracket width: 18.5 in.
- Maximum bracket-to-bracket width\*: 96 in.

### Performance

- Operates at less than 38 dBA at 3 ft.



2 inch vane



## 3 inch vane (roller 100™)

Roller 100 can operate up to 100 ft<sup>2</sup> of fabric.

### Size

- Tube size: 2.56 in. diameter
- Typical maximum size of fabric\*: 100 ft<sup>2</sup>

### Mounting options

- Wall or ceiling mount uses bracket that mounts to metal top-back cover
- Minimum bracket-to-bracket width: 24 in.
- Maximum bracket-to-bracket width\*: 114 in.

### Performance

- Operates at less than 38 dBA at 3 ft.

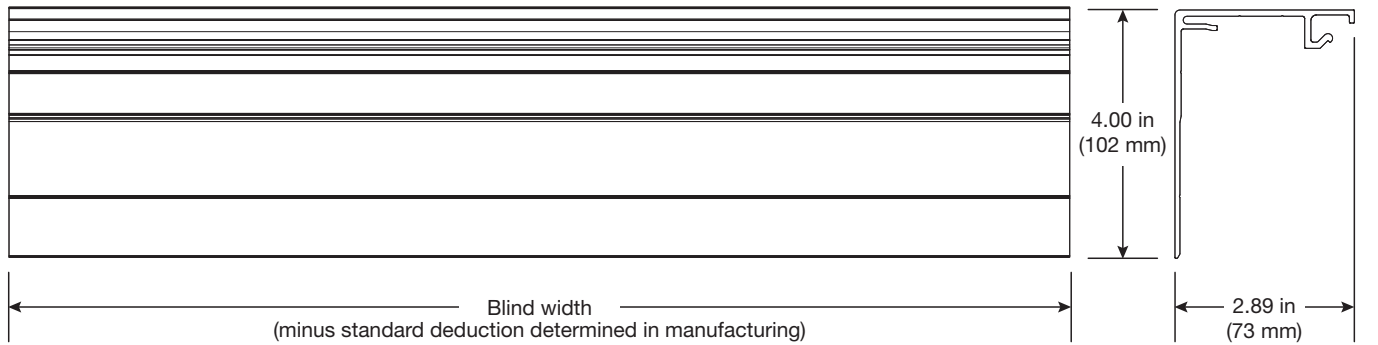
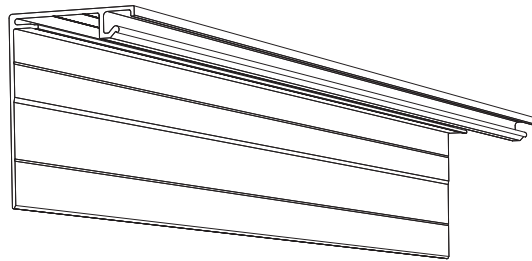


3 inch vane

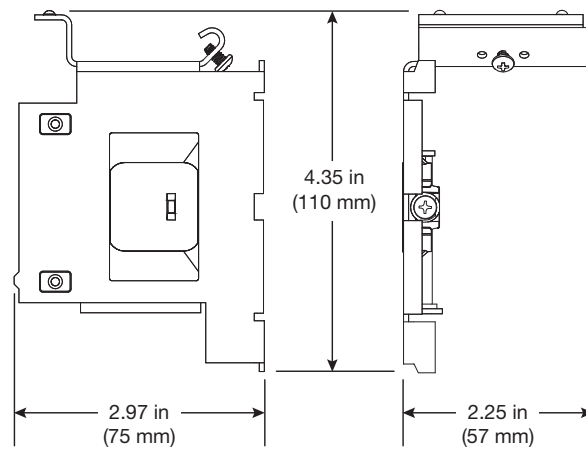
# Horizontal Sheer Blinds | dimensions

## System component dimensions:

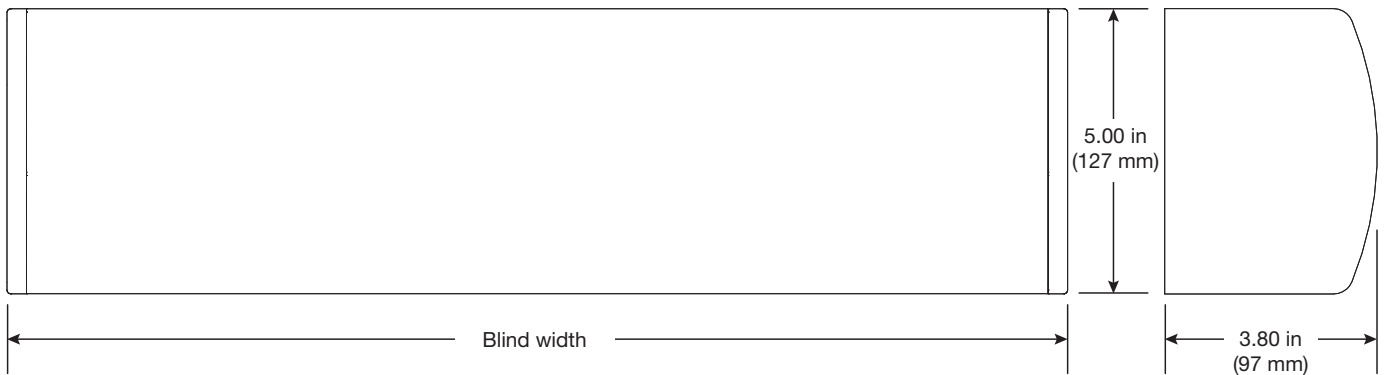
### Top-back cover:



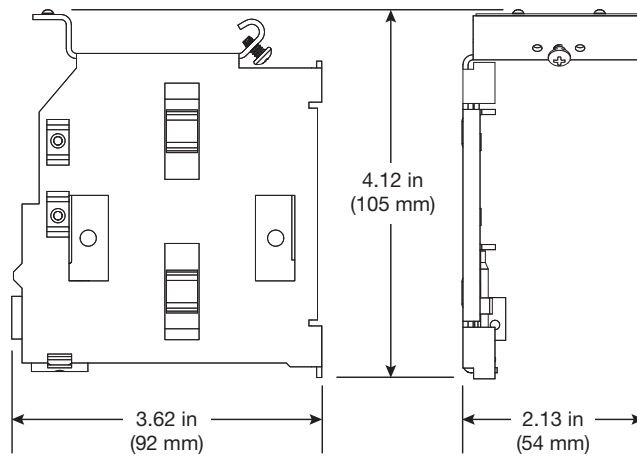
### 2 inch blind brackets:



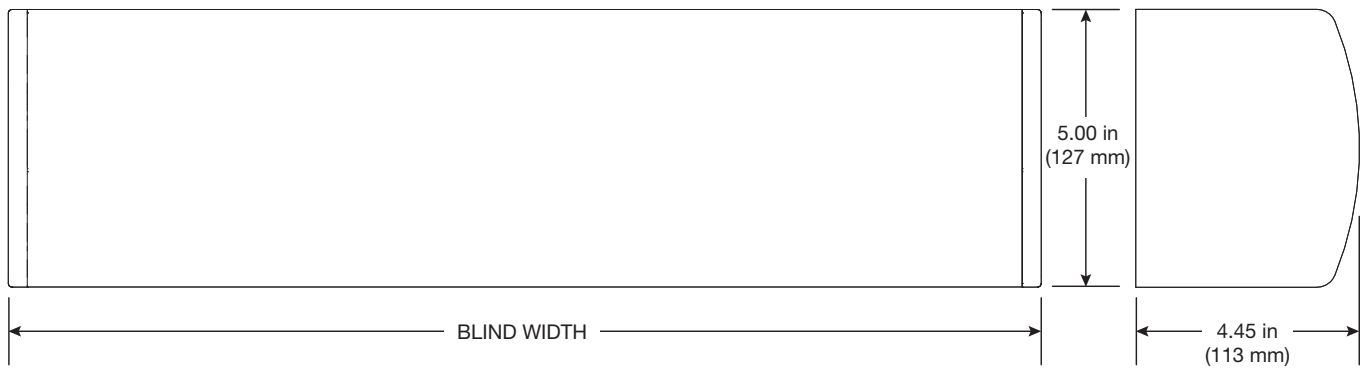
### 2 inch optional fabric wrapped fascia with end caps:



## 3 inch blind brackets:



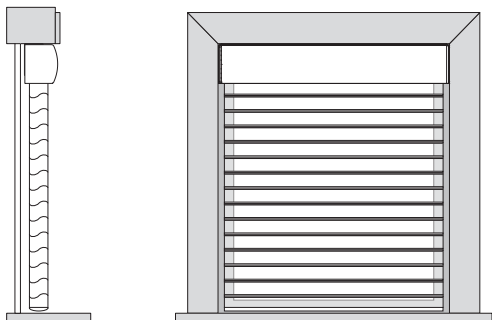
## 3 inch optional fabric wrapped fascia with end caps:





## Mounting options

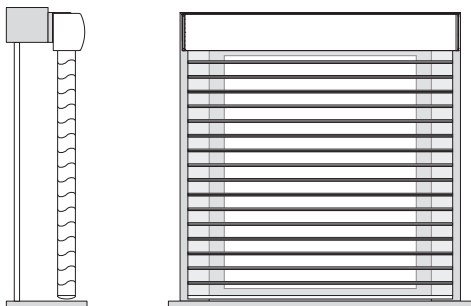
Depending on the window dimensions, the shade can be mounted inside the window frame or outside the window frame.



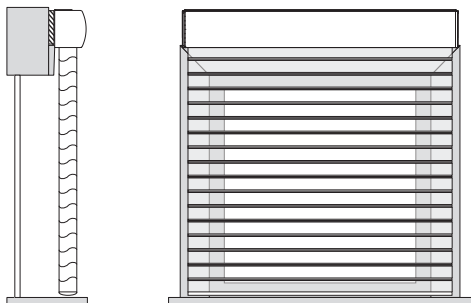
### Inside mount

To use inside mount, the window depth must be at least: 2 1/4 in (57 mm) for both 2 in and 3 in vanes

For fully recessed installation, the window depth must be at least: 3 3/4 in (95 mm) for 2 in vanes, 4 1/2 in (114 mm) for 3 in vanes



### Outside mount on trim

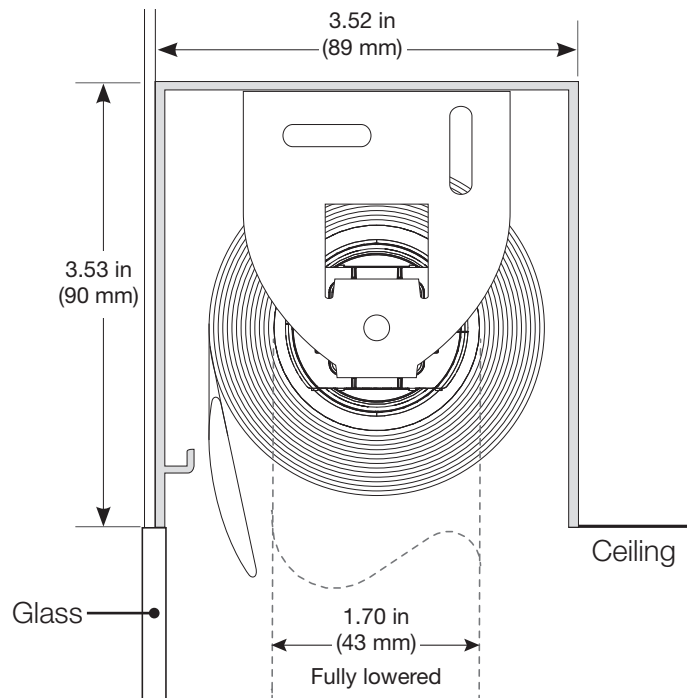


### Outside mount above trim

## Pocket installation

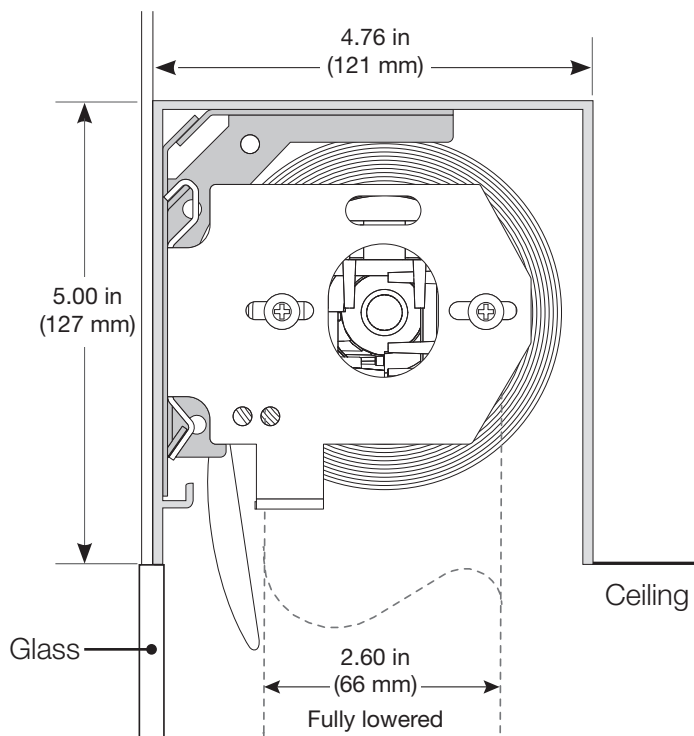
### Minimum pocket size: 2 inch blind

(Using standard roller 64™ mounting brackets.)



### Minimum pocket size: 3 inch blind

(Using standard roller 100™ pocket-mount brackets.)



Horizontal sheer blinds are compatible with standard Pico® and seeTouch® controls. Special controls have been specifically designed for this window treatment, enabling the View button to toggle between the View and Closed positions. Note: toggle function on seeTouch control for horizontal sheer will only work when integrated with a HomeWorks® QS or RadioRA®2 system. For a shade-only solution, the View button will only go to the View position and will not return to Closed when pressed again.



Horizontal sheer blind  
seeTouch keypad



Horizontal sheer blind  
Pico wireless control

Sivoia® QS/Sivoia QS Wireless | Pleated and Fashion  
Honeycomb Shades



XL Pleat shades, Fashion Pleated shades, and Fashion Honeycomb shades are operated by ultra-quiet, precision control drives. The shade drive is housed in the headrail and provides smooth, quiet movement. Shade position can be stored as a preset, offering privacy and light control with the touch of a button.

## Aesthetics

- Aluminum headrail provides clean minimalist look.
- Available in a wide variety of fabrics, colors, prints, and patterns

## Design

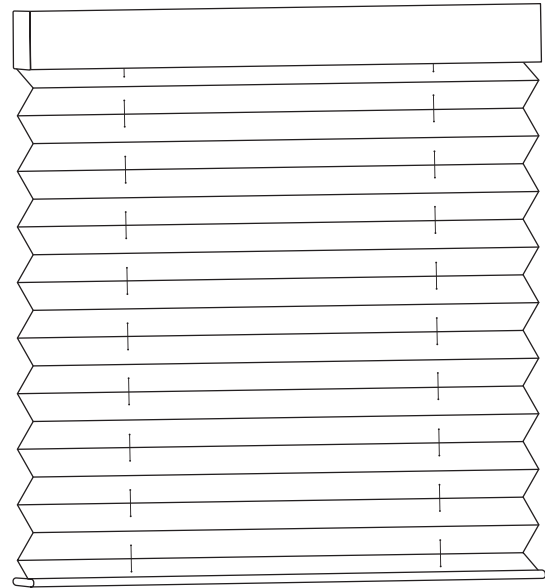
- Shades go to a pre-determined height when a preset is recalled
- Multiple presets can be defined for the same shade or group of shades
- Compatible with Sivoia® QS and Sivoia QS Wireless systems
- Shade components designed for ultra-quiet operation (will not exceed 44 dBA measured 3 ft (1 m) from drive unit)
- Simple installation for both inside mount and outside mount applications
- Provides maximum window coverage – symmetrical light gaps on both sides for a clearance of 1/8 in (3 mm) per side between blind and window jamb

## Fabric options

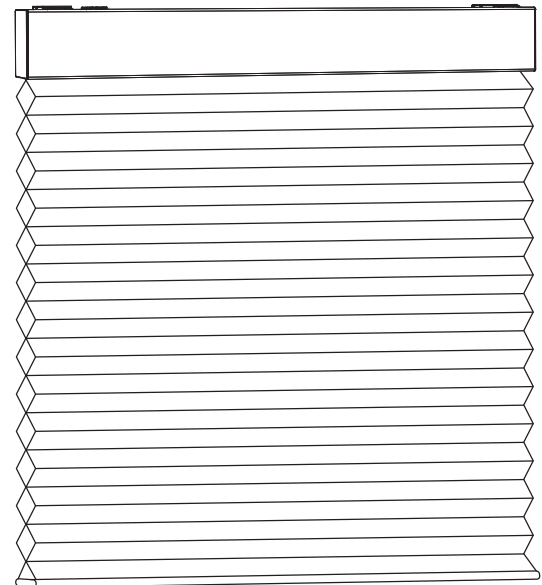
Provide added dimension to a room with crisp Z-shaped pleats and textured weaves of pleated shades from the Gallery Collection or the Impact line of the Lutron Coullisse Collection.

Offer superior insulation with large, elegant cells of Fashion Honeycomb shades from the Gallery Collection.

- See pg. 149-150 for selection guide and fabric stack guide



Pleated shade

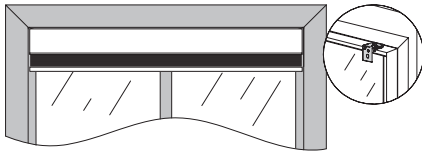


Fashion Honeycomb shade

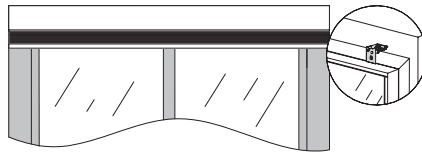


## Mounting options

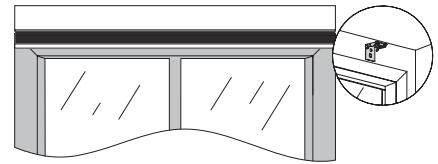
Brackets can be inside mounted, or outside mounted on the trim or above the trim.



Inside mount

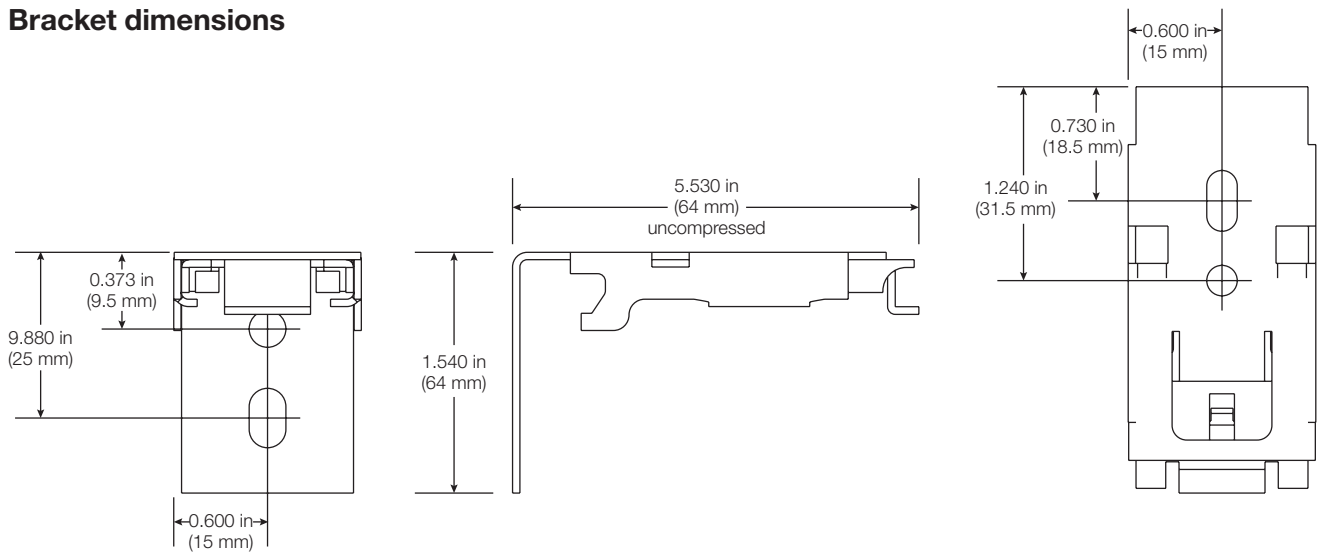


Outside mount on trim

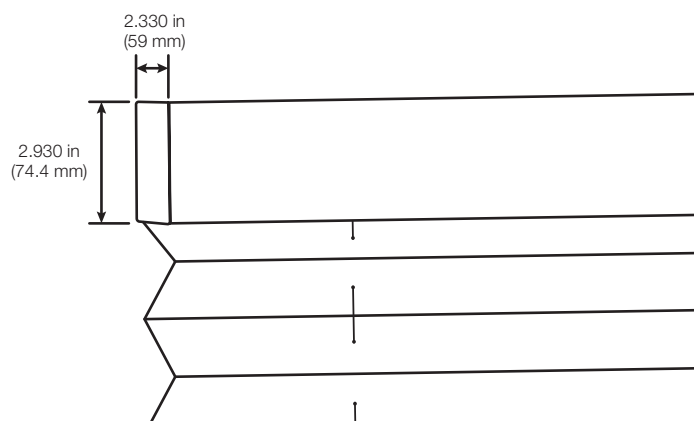


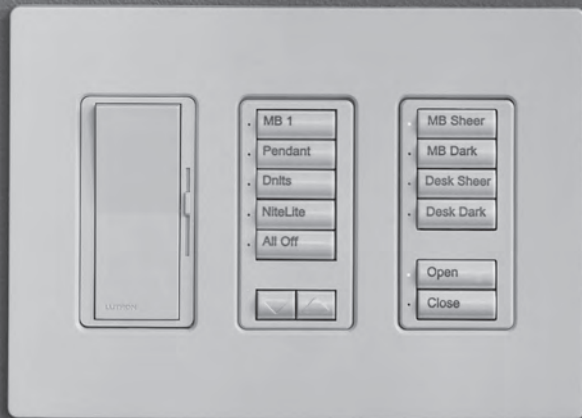
Outside mount above trim

## Bracket dimensions



## Headrail dimensions



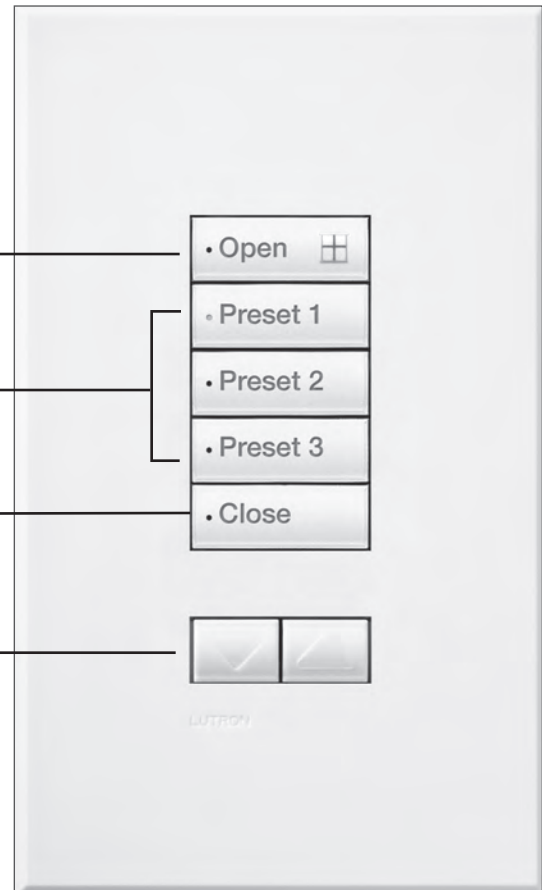


Lutron seeTouch® keypads work with Sivoia® QS systems to control Lutron shading solutions and lights. Keypads are available with standard or custom engraving in a wide selection of colors and finishes.

**seeTouch keypad operation:**

- Open button allows shade or drapery to move to its open limit
- Presets allow user to select preferred settings for shading solutions
- Close button allows shade or drapery to return to its closed limit
- Raise/lower buttons allow for fine-tuning shade or drapery position
- Not shown: Group buttons allow individually selected groups of shades to move in concert

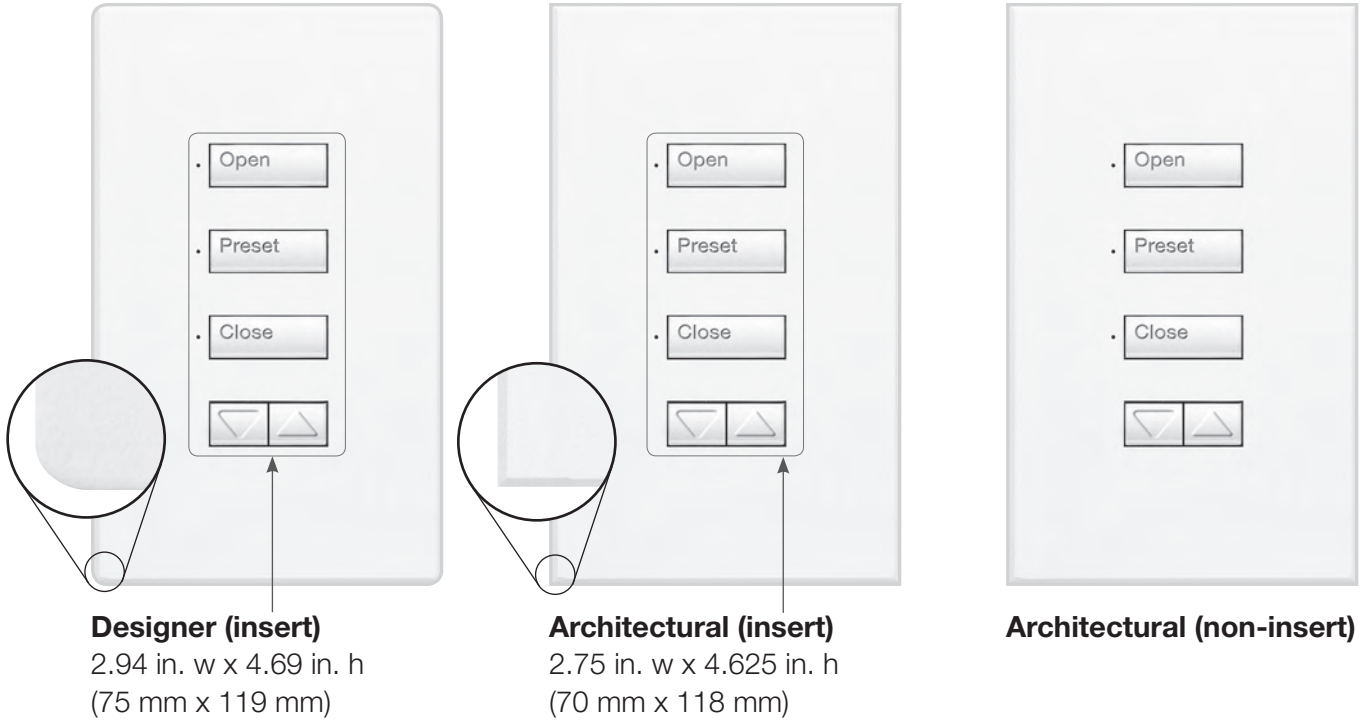
Lutron keypads are programmable and can be customized for every installation.



**seeTouch** (QS shown)



Lutron controls are available in three distinct wallplate styles, as well as different button configurations:



Insert style allows for a combination of lighting and shading controls. Interchangeable wallplates allow for flexible installations with multiple ganged controls. Any Lutron 120V dimmer and low voltage keypad may be mounted in a common backbox.



Non-insert, architectural style offers an elegant solution best suited for a stand-alone shade control.

Lutron controls are also available with custom engraving options (see page 103). seeTouch® keypads are available in over 40 colors and finishes including metals. See the “Colors of Lutron” brochure (P/N 367-949) for more information.

**All Lutron keypads can be custom engraved**

Engraving for tabletop keypads is now offered within the SCT for quick and easy customization.

**New procedure for engraving:\***

- Select a keypad in the SCT
- Within the customization, select “Custom Engraving” option
- Select position of text and text case
- Click on the image of the keypad shown and enter text on buttons as desired
- Add the customized keypad to your order



RadioRA® 2 tabletop keypad



seeTouch® designer keypad

	Sivoia® QS	Sivoia QS Wireless
RS232/Ethernet interface	●	●
Quantum® integration	●	
RadioRA® 2 integration		●
GRAFIK Eye® QS integration	●	●
HomeWorks® QS integration	●	●
Contact closure interfaces	●	●
Low-voltage power	●	●
Individual power supplies	●	●
Multiple output power supplies	●	●
Lutron quiet electronic drive	●	●
Intelligent Hembar Alignment™	●	●

● = Available

□ Standard features of all control technologies

**seeTouch® QS keypads**

seeTouch QS keypads control shading solutions and lights. All keypads are available with standard or custom engraving in a variety of colors and finishes. Architectural style only (insert and non-insert).

**Color and finish ordering sample:**

QSW2-3BRT-(I/N)-WH-E01  
 Include **I** for insert style **OR**  
 Include **N** for non-insert style  
 Include color code (**WH**) to specify color/finish.



**QSW2-2BRL-N-WH-E01**  
 Two button keypad with raise/lower



**QSW2-3BRL-N-WH-E01**  
 Three button keypad with raise/lower



**QSW2-5BRL-N-WH-E01**  
 Five button keypad with raise/lower



**QSW2-1RLD-N-WH-E01**  
 Three-group, two button keypad with raise/lower, E01



**QSW2-1RLD-N-WH-E02**  
 Three-group, two button keypad with raise/lower, E02



**QSW2-2RLD-N-WH-E02**  
 Two button keypad with raise/lower for dual shades, E01



**QSW2-3BD-N-WH-E01**  
 Three button keypad for dual shades



**QSW2-3BRLIR-N-WH-E01**  
 Three button keypad with raise/lower and infrared (IR) reception

**Venetian Keypads**



**QSWKI-2TD-WH-E01**  
 Dual two button keypad with tilt adjust



**QSW2-3BRLIR-I-XX-E01**  
 Three button keypad with tilt adjust and IR reception

**Sivoia® QS components**



**QSE-IR-WH**

Remote IR eye for Sivoia QS lights and shades

- Receives remote IR signal from handheld IR remote controls
- Allows simple integration to A/V equipment with QS devices via QS Link
- Available in White (WH)

## GRAFIK Eye® QS keypads

GRAFIK Eye QS wall controls control shading solutions and lights. All keypads are available with standard or custom engraving in a variety of colors and finishes.



### A. Scene control

- 4 scenes and off
- Backlit, engravable buttons
- Easy to change in the field

### B. Shade control

- Open, preset, close
- Raise/lower
- Available with none, 1, 2, or 3 shade group keypad controls

### C. Light control

- 3, 4, or 6 zones  
(standard 120V model)
- 6, 8, or 16 zones  
(EcoSystem® model)

### D. Astronomic timeclock

- Scheduling to meet energy codes
- Includes “after-hours” mode

### E. Information display

- Energy savings
- Lighting levels
- Timeclock information

### F. IR receiver

- Allows wireless connectivity to handheld IR remote

### G. NEW RF tranceiver

- Allows wireless connectivity to other RF devices

### NEW Wireless RF connections to:

- Sivoia® QS Wireless shades
- Radio Powr Savr™ occupancy/vacancy sensor
- Pico® wireless controls

### Wired connections to:

- Sivoia QS shades
- Occupancy/vacancy sensors
- seeTouch® QS wall keypads
- RS-232/Ethernet interfaces
- Power modules

### EcoSystem® low voltage connections to:

- EcoSystem, Hi-lume® 3D ballasts, and/or Hi-lume LED drivers (64 maximum)
- Daylight sensors
- Occupancy/vacancy sensors

**seeTouch® QS wireless keypads**

seeTouch QS wireless keypads control shading solutions and lights. All keypads are available with standard or custom engraving in a variety of colors and finishes. Designer insert style only.

**Color and finish ordering sample:**  
 QSW4-3BRLT-**WH**-E01  
 Include color code (**WH**) to specify color/finish.

**Sivoia® QS Wireless keypads (P/N for 434 mHz only)**



**QSW4-2BR-WH-E01**

Two button keypad with raise/lower



**QSW4-3RI-WH-E01**

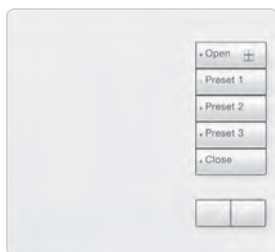
Three button keypad with raise/lower and infrared (IR) reception



**QSW4-5BR-WH-E01**

Five button keypad with raise/lower

**Sivoia® QS Wireless tabletop keypads\***



**QSW4-T5S-WH-E01**

Five button tabletop keypad with raise/lower



**QSW4-T10S-WH-E01**

Ten button tabletop keypad with raise/lower



**QSW4-T15S-WH-E01**

Fifteen button tabletop keypad with raise/lower

**Sivoia QS Wireless components**



**RF receiver**

Remote RF receiver for Sivoia QS Wireless shades

- Receives remote RF signal from handheld remote controls
- Available in White (WH)
- 7.18 in. x 0.84 in. (182 mm x 21 mm)

**Sivoia® QS Wireless and RadioRA® 2 compatible keypads**



**QSW4-3BR-WH-E01**  
Three button keypad with raise/lower



**QSW4-5RI-WH-E01**  
Five button keypad with raise/lower and IR reception



**QSWK4-2RD-WH-E01**  
Two button keypad for dual shades with raise/lower



**QSWK4-2RD-WH-EGN**  
Two button keypad for lights and shades with raise/lower



**QSWK4-3BD-WH-E01**  
Three button keypad for dual shades



**QSWK4-3BD-WH-EGN**  
Three button keypad for lights and shades



**QSWK4-6BR-WH-NST**  
Six button keypad with raise/lower



**QSWK4-7B-WH-NST**  
Seven button keypad

**Sivoia QS Wireless and RadioRA 2 compatible tabletop keypads\***



**QSW4-T5R-WH-NST**  
Five button tabletop keypad with raise/lower



**QSW4-T10R-WH-NST**  
Ten button tabletop keypad with raise/lower



**QSW4-T15R-WH-NST**  
Fifteen button tabletop keypad with raise/lower

\*Requires use of main repeater.

**RF remote controls**

The Pico® wireless control is available in a variety of colors to coordinate with any décor.

Note: The “Favorite” button is silver on the White/Gray Pico only. All other offerings have uniform button colors.

Pico controls are now available with QS sensor module (QSM2-4W-C)\* which provides control of Sivoia® QS wired shades through Pico wireless controls.

**Pico model number:**

PJ2-**XXXX**-G**XX**-**XXX**

**XXXX** Button configuration code  
**XX** Color code  
**XXX** Button marking code



PJ2-3BRL-GWH-S02

**XXXX**

Button configuration	Code
2-button .....	2B
2-button with raise/lower .....	2BRL
3-button .....	3B
3-button with raise/lower .....	3BRL

**XX**

Gloss color	Code
White.....	WH
Black.....	BL
Ivory.....	IV
Light Almond.....	LA
White/Gray.....	WG

(Top and Raise buttons are White; Preset, Lower, and Bottom buttons are Gray)

**XXX**

Button marking	Code
Light.....	L01
Shade (icons) .....	S01
Shade (text) .....	S02
Blackout .....	S03
Sheer .....	S04
Blind .....	S05
Skylight .....	S06
Drapery .....	S07
Screen .....	S08
Horizontal sheer blind .....	S09

**Custom bases for Pico (L-PED1-XX)**

Customize your Pico tabletop control with White or Black gloss color bases. (PEDX=number of pedestals; up to three)

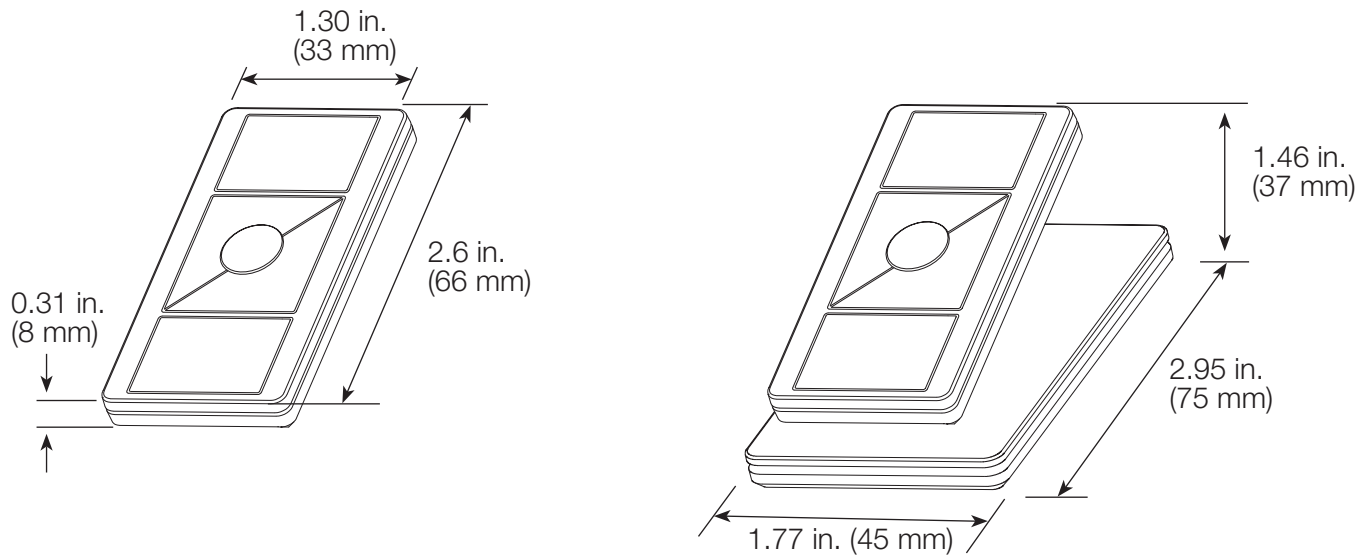
For more information, see P/N 369-453.

\* Pico controls are also compatible with QS **wired** shades using QS Link. This allows for seamless reconfiguration of controls without rewiring.



### Dimensions of Pico® control and tabletop pedestal

Easy reconfiguration for use as a handheld control, wall-mount control, or tabletop control\* using the optional pedestal or wall-mount kit.



### Wall-mount configuration:

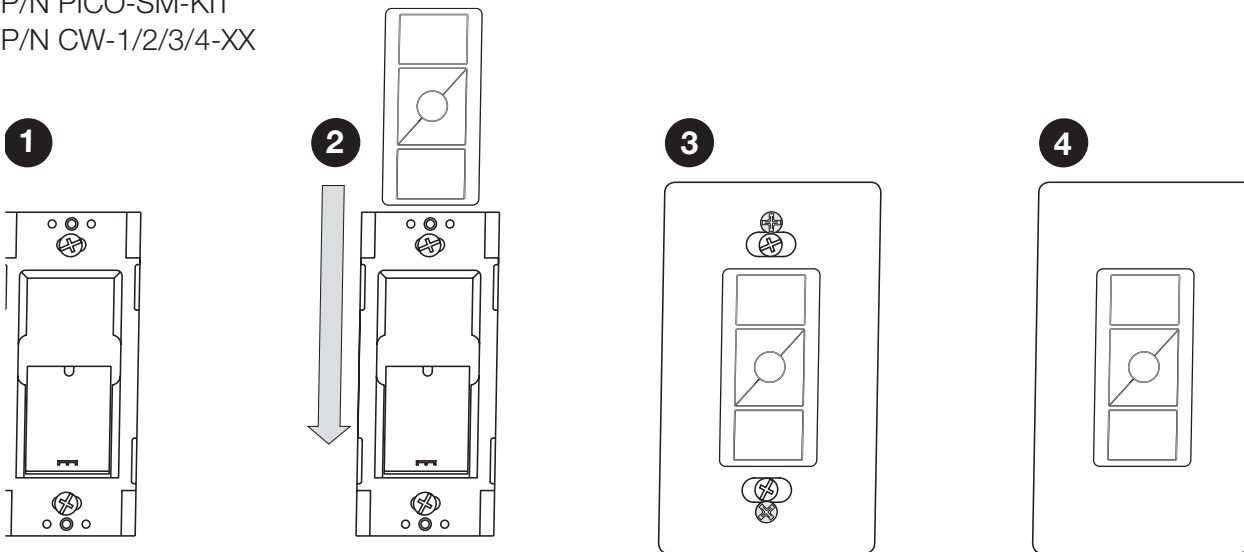
Claro® wallplate, Pico control, and wallplate adapter for Pico  
 Claro wallplate—CW-1-XX (CW-1=number of openings in wallplate; up to four)

Wallplate adapter, surface-mount kit, and wallplate sold separately.

P/N PICO-FP-ADAPT

P/N PICO-SM-KIT

P/N CW-1/2/3/4-XX



2.94 in. w x 4.69 in. h  
 (75 mm x 119 mm)

\* Dual pedestal also available.

## RadioRA® 2 integration

RadioRA 2 is a wireless light control system that provides convenient and intuitive control of lights, shades, audio-visual devices, and temperature in a in a single room or throughout the whole home. It installs easily, programs quickly, and operates reliably with Clear Connect® RF technology. All Sivoia® QS Wireless shades and devices are compatible with RadioRA 2.

- Start with any area and simply add components at any time to grow the system from a single room to a whole home — scales from 2 to 100 devices
- Works directly with Sivoia QS Wireless shades and draperies, GRAFIK Eye® QS Wireless and Radio Power Savr™ occupancy/vacancy sensors
- Control from remotes, home automation systems, mobile devices, and more — all on one repeater
- Provides open integration with any device capable of sending and/or receiving RS232 or IP commands to control lights and shades
- Intuitive and simple PC-based or button-press programming



## Components



### Main repeater (RR-MAIN-REP-WH)

- Provides open integration with other systems and devices with PC programming
- Included astronomic timeclock allows system control based on time of day as well as sunrise/sunset



### Auxiliary repeater (RR-AUX-REP-WH)

- Extends system RF range in larger applications, outdoor spaces, and between buildings
- Can be used wirelessly within the home, or wired to another repeater to span long distances



Lutron infrared (IR) transmitters control single or dual groups of window treatments, as well as light and shade groups in rooms with integrated systems. The transmitters operate with Sivoia® QS and Sivoia QS Wireless systems, and feature a clean and simple aesthetic. Labels shown are standard.



**Classic style**

**SVIT-WH** (as shown)

- Open, Close
- Dimensions:  
Width: 1.5 in. (38 mm)  
Length: 4.6 in. (117 mm)  
Depth: 0.65 in. (17 mm)



**Single shade group**

- Open, Close,  
Favorite preset button

**SVIT-SH-WH** (as shown)

- Shade

**SVIT-DR-WH**

- Drapery



**2 shade groups**

- Group 1: Open, Close,  
Favorite preset button
- Group 2: Open, Close,  
Favorite preset button

**SVIT-SC-BL-WH** (as shown)

- Screen
- Blackout

**SVIT-SR-BL-WH**

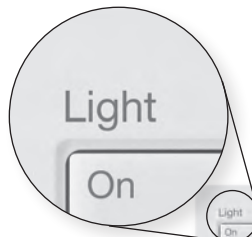
- Sheer
- Blackout

**SVIT-SH-DR-WH**

- Shade
- Drapery

**SVIT-SH-SH-WH**

- Shade 1
- Shade 2



**Shade and lighting control**

- Shades: Open, Close,  
Favorite preset button
- Light: On, Off,  
Favorite preset button

**SVIT-GRX-DR-WH**

- Light (GRAFIK Eye® lighting)
- Drapery (Sivoia drapery)

**SVIT-GRX-SH-WH** (as shown)

- Light (GRAFIK Eye® lighting)
- Shades (Sivoia shades)

**SVIT-MIR-SH-WH**

- Light (Maestro® IR lighting)
- Shade (Sivoia shades)

**SVIT-MIR-DR-WH**

- Light (Maestro IR lighting)
- Drapery (Sivoia drapery)

## Convenience

Choose from a variety of hand-held remotes. Lutron electronic drive units offer built-in IR reception.



### SVQ-3PIT-WH

Three preset hand-held IR remote

- Offers open/close, three programmable presets and fine-tune raise/lower control
- Can control one shade or a group of shades together
- Dimensions:  
Width: 1.5 in. (38 mm)  
Length: 5.69 in. (145 mm)  
Depth: 0.88 in. (22 mm)



### SVQ-4GD-OCIT-WH

Multi-function hand-held IR remote — **Sivoia QS\***

- Designed specifically to control both individual and groups of shades
- Ideal for dual-mounted shades (to control two shades on the same window)

\* Works with Sivoia QS with the following conditions:

- All shades are wired together on the same communications link
- Any one shade can be programmed to be a part of up to three shade groups max on the SVQ-4GD-OCIT-WH remote (per QS IR eye)
- The SVQ-4GD-OCIT-WH remote only gives Open, Close, Raise, Lower for each group; there are no presets

Complement your design using the colors of Lutron for a coordinated look throughout your space. Lutron dimmers and accessories come in a variety of styles and finishes and add ambiance, convenience, and energy savings. See the “Colors of Lutron” brochure (P/N 367-949) for more information.

**Lutron dimmers**

Available in Designer Gloss or Satin Colors® finishes:



Maestro®



Diva®



Lyneo™ Lx



Skylark®



Ariadni®

Architectural Matte and Architectural Metal finishes:



Vierti®



Nova T☆®



Nova®



Vareo®

Multiple devices with line and low-voltage can be mounted under a common wallplate using a standard barrier backbox (see Lutron Application Note #213 at [www.lutron.com/applicationnotes](http://www.lutron.com/applicationnotes)).

### Wallplate configurations

2-gang Satin Colors® wallplate with Maestro® and shade keypad



### Wallplate configurations

2-gang gloss wallplate with Abella® and shade keypad



**Lutron accessories**

Available in Designer Gloss, Satin Colors®, Architectural Matte, or Architectural Metal finishes:



GFCI



Dimmable  
receptacle



Receptacle



6-port jack



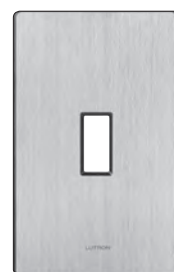
Phone jack



Cable jack



1-6 gang designer  
opening wallplates

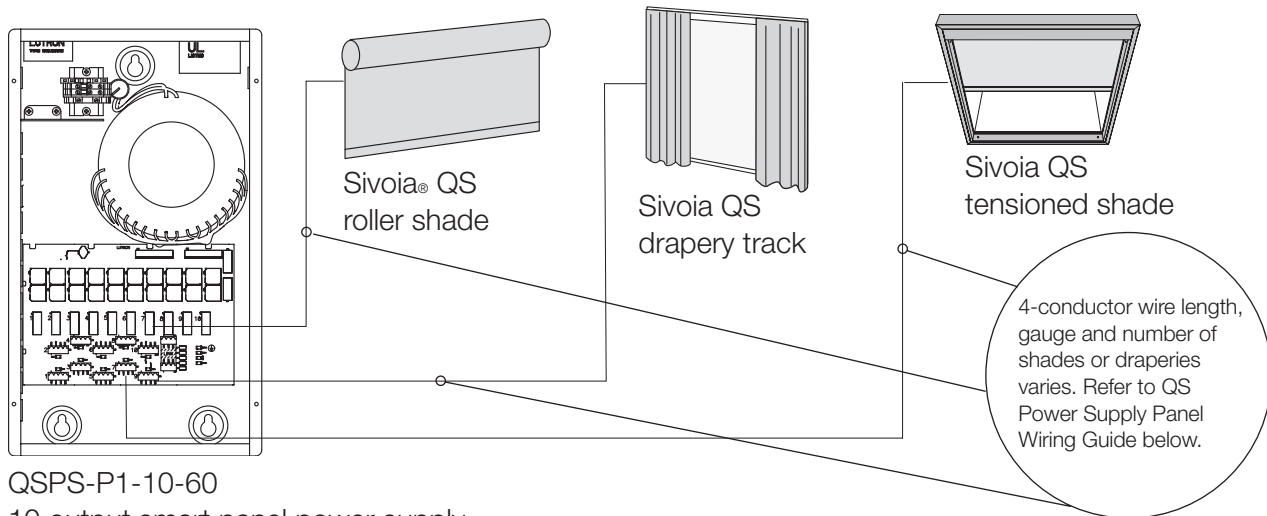


1-6 gang traditional  
opening wallplates





**System wiring overview: QS smart panel power supply**



QSPS-P1-10-60  
10 output smart panel power supply

**QS Link wiring**

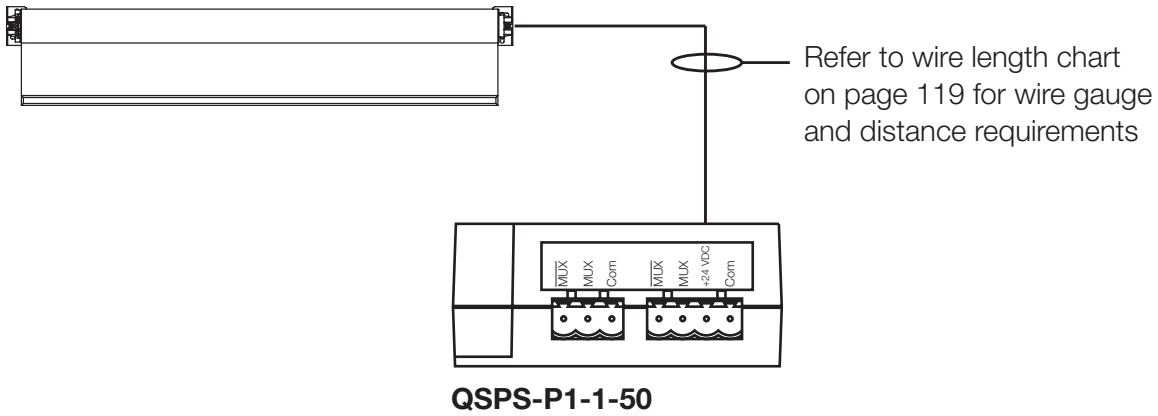
The following link rules must be observed for proper operation:

1. Use only cable with at least one twisted/shielded pair for communications (MUX and  $\overline{\text{MUX}}$ ).
2. Total length of wire in entire system must be less than 2,000 ft. (609 m).

Sivoia® QS Power Supply Panel Wiring Guidelines				
Maximum devices per one output		Maximum distance per one output based on wire gauge		
Shades + Controls		12 AWG (4 mm <sup>2</sup> ) QSH-CBL-L-500 QSH-CBLP-L-500	16 AWG (1.5 mm <sup>2</sup> ) QSH-CBL-M-500 QSH-CBLP-M-500	18 AWG (1 mm <sup>2</sup> ) GRX-CBL-346S-500
None	Up to 50 power draw units	1250 ft. (375 m)	500 ft. (150 m)	250 ft. (75 m)
None	Up to 25 power draw units	2000 ft. (600 m)	1000 ft. (300 m)	600 ft. (175 m)
1 Sivoia QS shade/ drapery* drive unit	Up to 1 power draw unit	500 ft. (150 m)	200 ft. (60 m)	125 ft. (35 m)
2 Sivoia QS roller 64™, ≤ 30 sq. ft. (2.75 sq. m) each		200 ft. (60 m)	75 ft. (20 m)	50 ft. (15 m)
3 Sivoia QS roller 64, ≤ 20 sq. ft. (1.80 sq. m) each				
2 Sivoia QS roller 100™, ≤ 50 sq. ft. (4.6 sq. m) each				
Sivoia QS Individual Power Supply Wiring Guidelines				
1 Sivoia QS shade/drapery*	Up to 1 power draw unit	250 ft. (75 m)	100 ft. (30 m)	50 ft. (15 m)
None	Up to 8 power draw units**	2000 ft. (600 m)		1500 ft. (450 m)

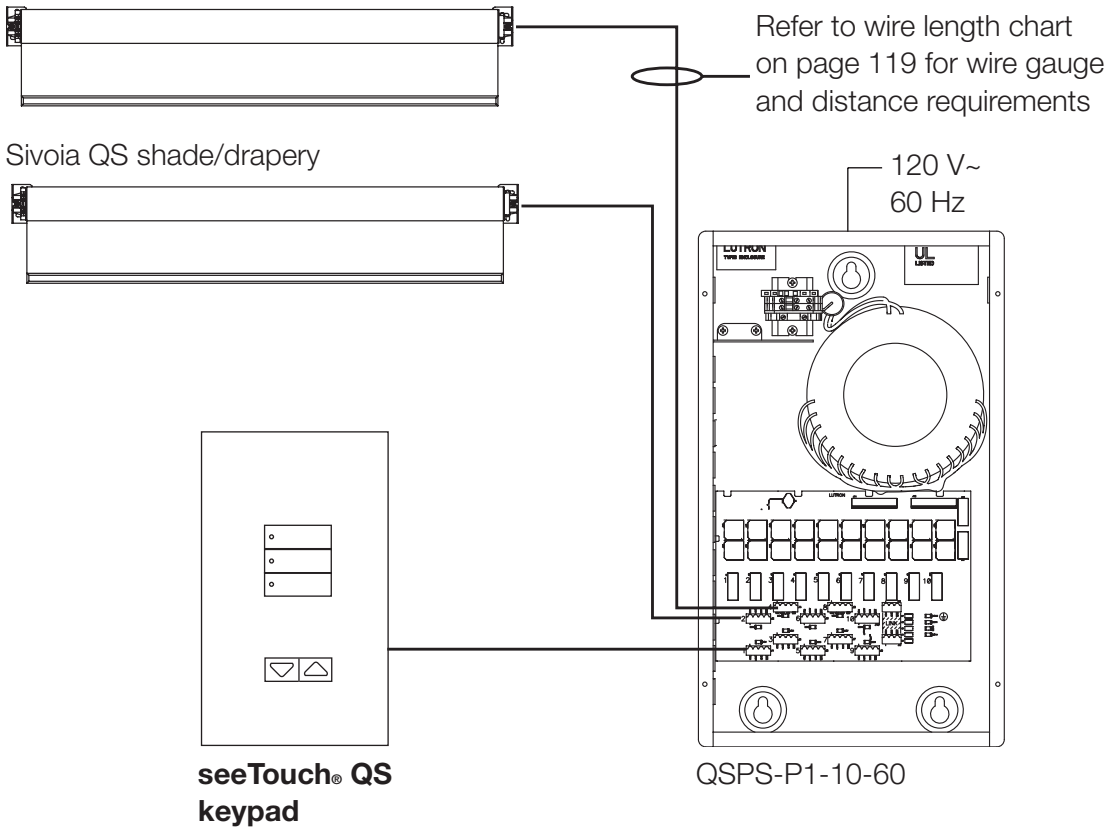
### One shade/drapery per output with individual power supply

Sivoia® QS shade/drapery

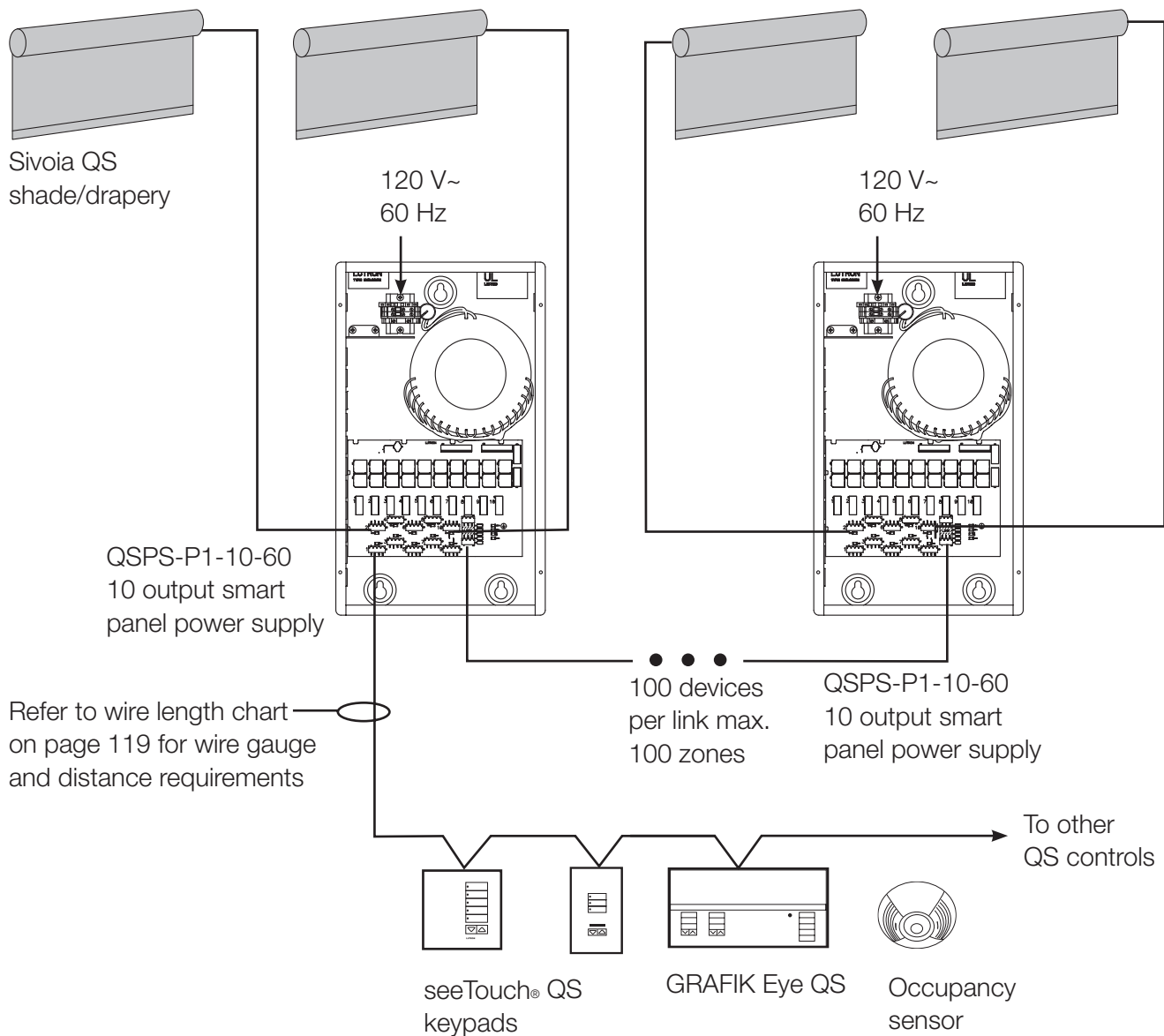


### One shade/drapery per power panel output

Sivoia QS shade/drapery



**Sivoia® QS with GRAFIK Eye® QS system wiring**  
**Smart panel power supply, single shade per output**

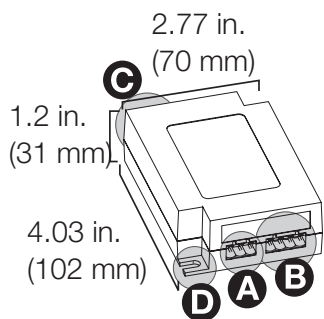


### Individual QS or QS Wireless power supply

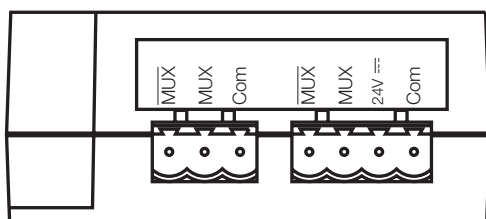
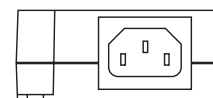
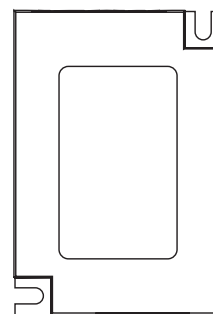
QSPS-P1-1-50

The power supply may be surface mounted by using the mounting tabs. Unplug the power supply's line voltage cable before wiring low voltage terminal blocks. Line voltage cable included.

#### Parts



- A** 3-pin connector: Communication to additional power supplies
- B** 4-pin connector: Power and communication to QS shade or keypads
- C** Line voltage input
- D** Mounting tabs

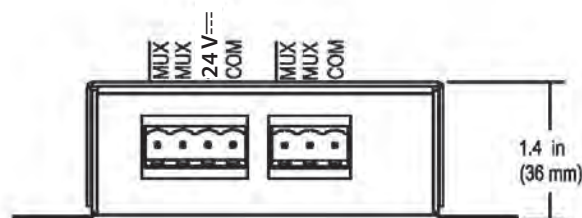
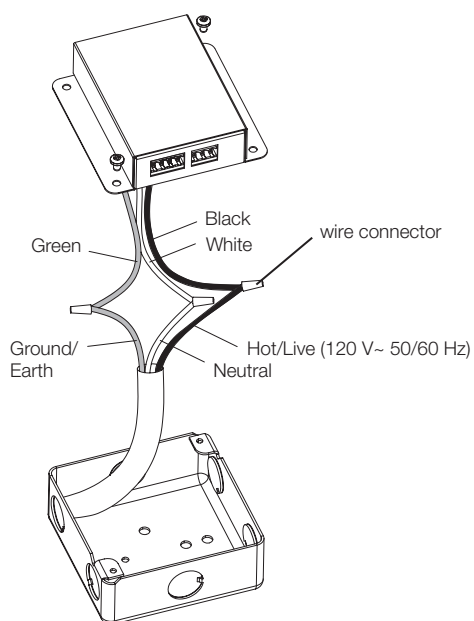


### JBOX transformer

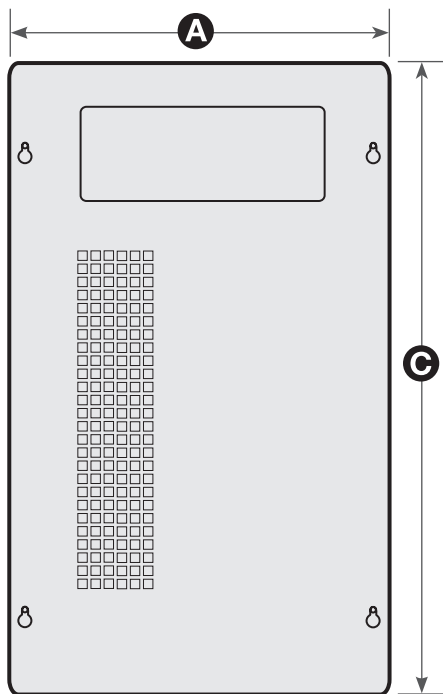
QSPS-J-1-50

The transformer is designed to be mounted on a junction box in a remote location away from occupants.

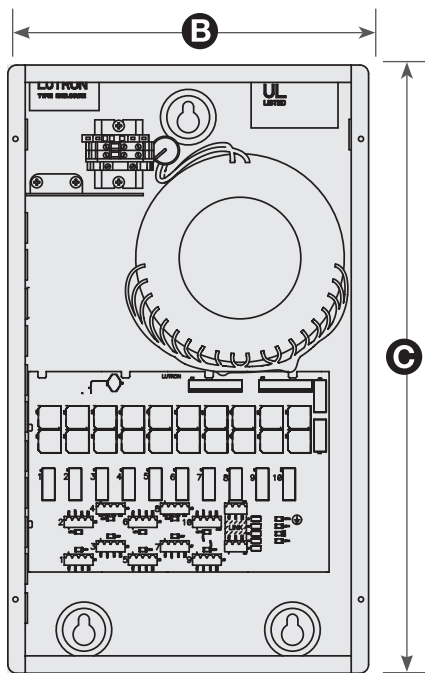
#### Parts



**QSPS-P1-10-60**



with cover



without cover



**Dimensions**

- A** 10.3 in. (262 mm)
- B** 9.5 in. (241 mm)
- C** 17.5 in. (445 mm)
- D** 3.9 in. (99 mm)

The Sivoia® QS power panel uses 8 A maximum of one power panel per 15 A circuit, two panels per 20 A circuit.

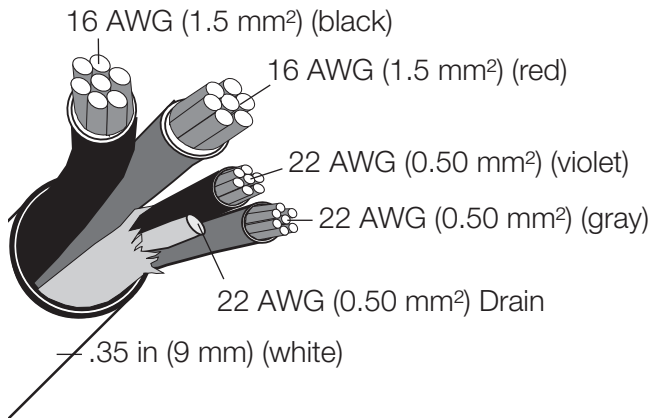
Lutron recommends using high magnetic circuit breakers for power panels.



QSPS-P1-10-60

### Sivoia® QS cable

Lutron offers two types of QS cable which incorporate both power and communications into the same bundle.



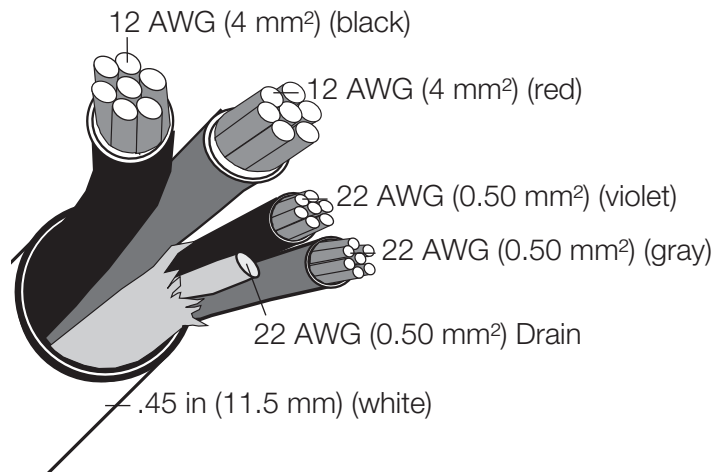
#### QSH-CBL-M-500 Cable

##### Description

- Non-plenum rated cable for use with Sivoia QS (Plenum cable: QSH-CBLP-M-500)

##### Specifications

- Listed as cable type CL3
- Available in 500 ft. (150 m) spools
- Five conductors:
  - Common — 16 AWG (1.5 mm<sup>2</sup>)
  - Power — 16 AWG (1.5 mm<sup>2</sup>)
  - MUX Data — 22 AWG (0.50 mm<sup>2</sup>)
  - MUX Data — 22 AWG (0.50 mm<sup>2</sup>)
  - Drain Wire — 22 AWG (0.50 mm<sup>2</sup>)
- Total outer jacket diameter: 0.26 in. (6.6 mm)
- 300V rated
- PVC sheath, 90° C rated
- UL/CSA listed
- ROHS compliant



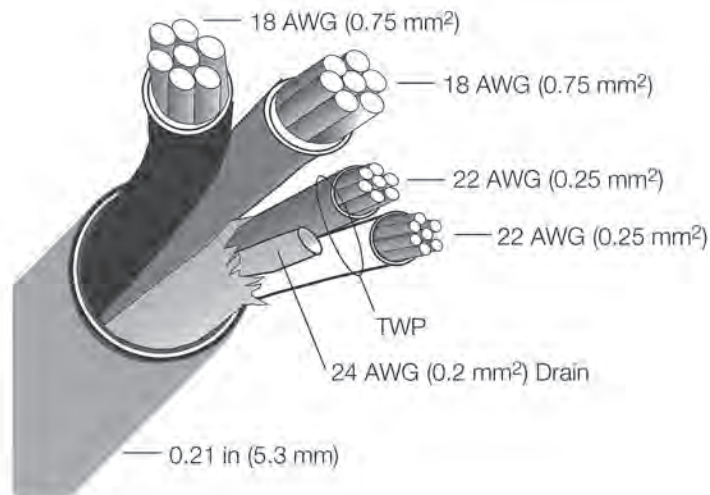
#### QSH-CBL-L-500 Cable

##### Description

- Non-plenum rated cable for use with Sivoia QS (Plenum cable: QSH-CBLP-L-500)

##### Specifications

- Listed as cable type CL3
- Available in 500 ft. (150 m) spools
- Five conductors:
  - Common — 12 AWG (4 mm<sup>2</sup>)
  - Power — 12 AWG (4 mm<sup>2</sup>)
  - MUX Data — 22 AWG (0.50 mm<sup>2</sup>)
  - MUX Data — 22 AWG (0.50 mm<sup>2</sup>)
  - Drain Wire — 22 AWG (0.50 mm<sup>2</sup>)
- Total outer jacket diameter: 0.45 in. (11.5 mm)
- 300V rated
- PVC sheath, 90° C rated
- UL/CSA listed
- ROHS compliant



## GRX-CBL-346S Cable

### Description

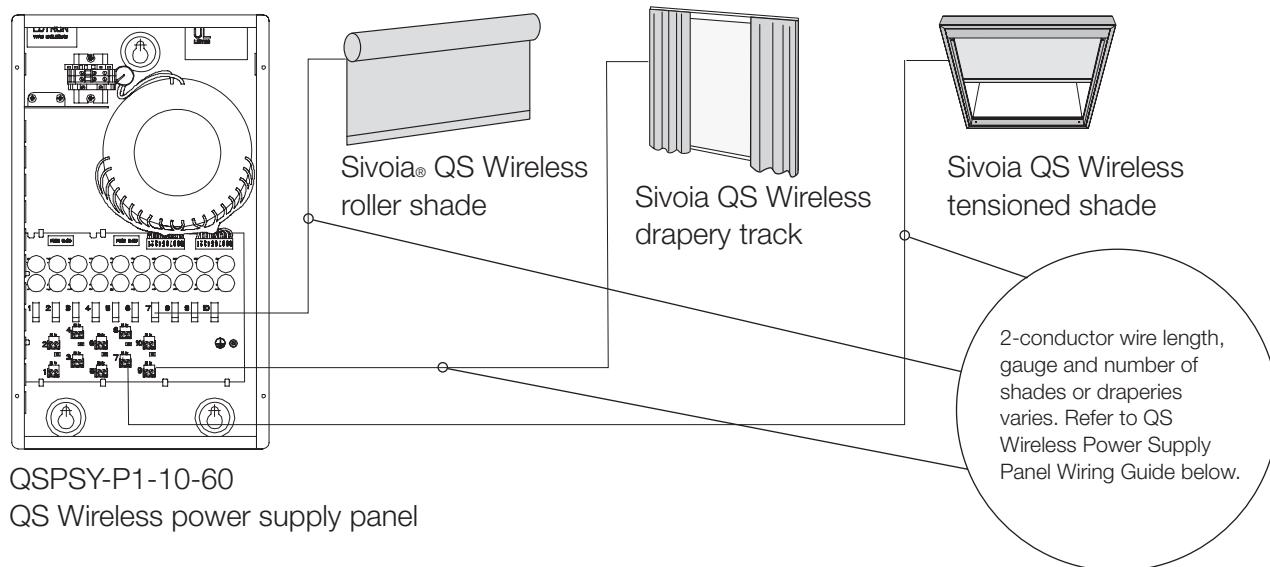
- Non-Plenum rated cable for use with the following Lutron systems:
  - GRAFIK Eye® 3000
  - GRAFIK Eye® QS
  - Energi Savr Node™

### Specifications

- Listed as type CL3R or CMR cULus.
- Available in 500 ft (150 m) spool
- Five conductors:
  - Common – 18 AWG (0.75 mm²)
  - Power – 18 AWG (0.75 mm²)
  - MUX Data – 22 AWG (0.25 mm²)
  - MUX Data – 22 AWG (0.25 mm²) } Twisted wire pair
  - Drain Wire – 24 AWG (0.2 mm²)
- Total Outer Jacket Diameter: 0.21 in (5.3 mm)
- 300V rated
- PVC sheath, 75° C rated
- UL listed
- Rated FT4
- cULus or CSA Listed
- Capacitance of 22 AWG (0.25 mm²) Twisted Wire Pair:
  - Conductor to shield: 48 pf/ft max
  - Conductor to Conductor: 25 pf/ft max



**System wiring overview: QS Wireless power supply panel**

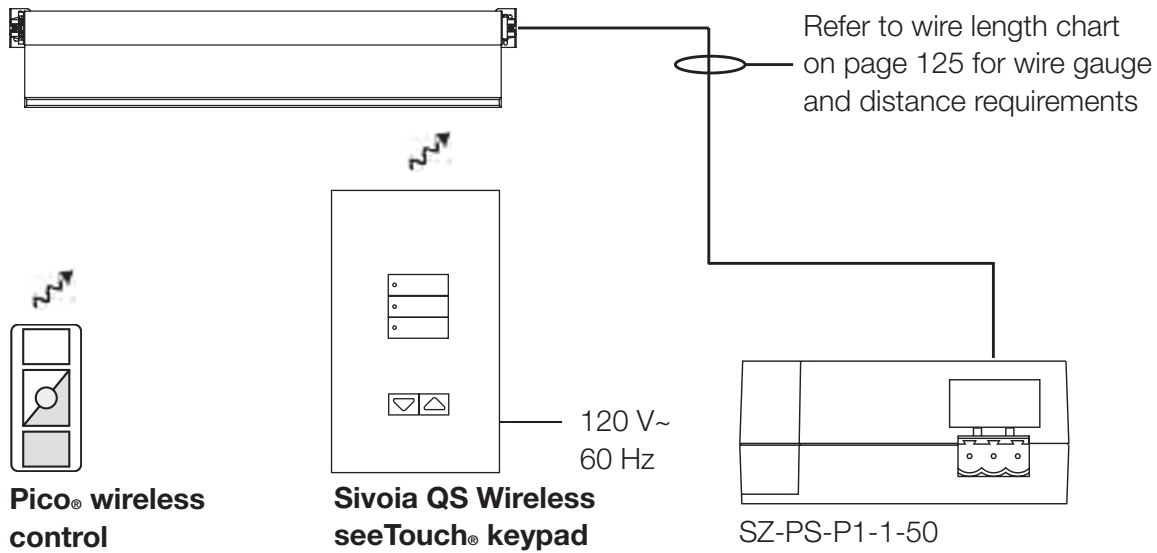


Sivoia QS Wireless Power Supply Panel Wiring Guidelines			
Maximum devices per one output	Maximum distance per one output based on wire gauge		
Shades/Drapery	12 AWG (4 mm <sup>2</sup> )	16 AWG (1.5 mm <sup>2</sup> ) QSHY-CBLP-M-1000	18 AWG (1 mm <sup>2</sup> )
1 Sivoia QS Wireless shade/drapery* drive unit	500 ft. (150 m)	200 ft. (60 m)	125 ft. (38 m)
2 Sivoia QS Wireless roller 64™, ≤ 30 sq. ft. (2.75 sq. m) each	200 ft. (60 m)	75 ft. (20 m)	50 ft. (15 m)
3 Sivoia QS Wireless roller 64, ≤ 20 sq. ft. (1.80 sq. m) each			
2 Sivoia QS Wireless roller 100™, ≤ 50 sq. ft. (4.6 sq. m) each			
Sivoia QS Wireless Individual Power Supply Wiring Guidelines			
1 Sivoia QS shade/drapery*	250 ft. (75 m)	100 ft. (30 m)	50 ft. (15 m)

\* roller 20™, roller 64, roller 100, roller 150™, roller 225™, roller 300™, D105, D145, D175, tensioned shades, Kirbé®, Roman shades, Venetian blinds, horizontal sheer blinds, Pleated and Fashion Honeycomb shades  
 \*\* 2 seeTouch QS keypads may be exchanged for 1 control interface (QSE-CI-NWK-E)

**One shade/drapery per output with individual power supply**

Sivoia® QS Wireless shade/drapery

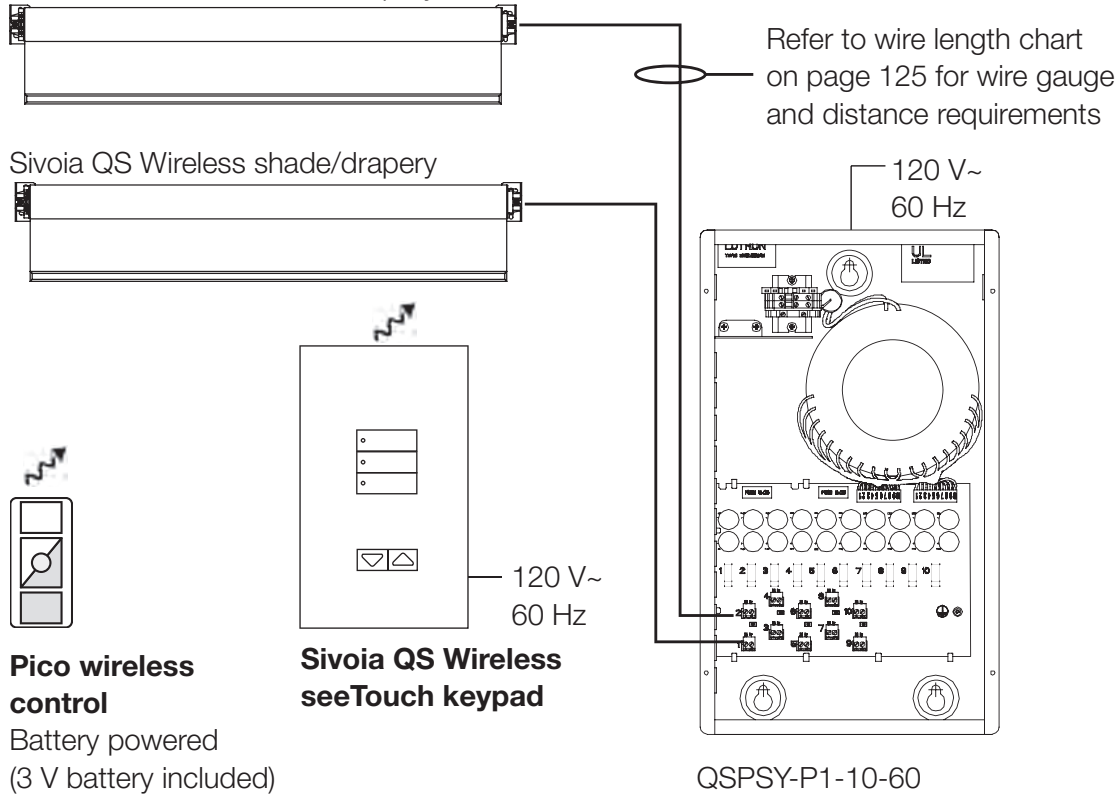


**Pico® wireless control**

Battery powered  
(3 V battery included)

**One shade/drapery per power panel output**

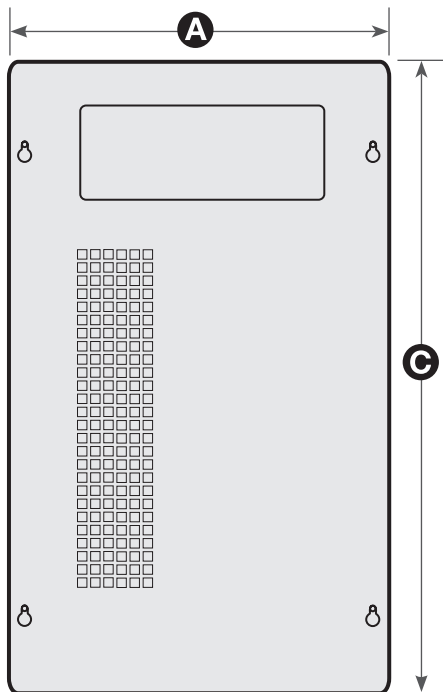
Sivoia QS Wireless shade/drapery



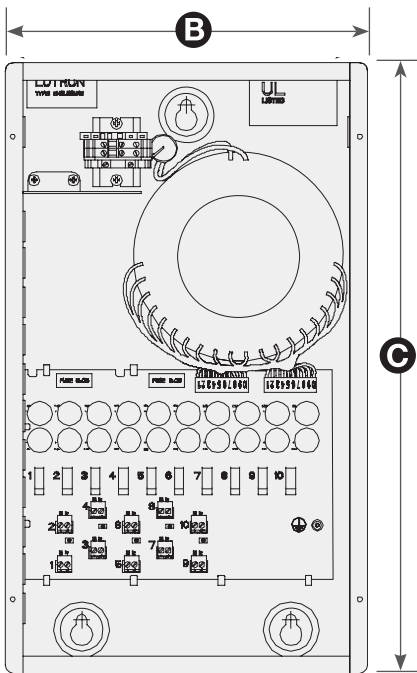
**Pico wireless control**

Battery powered  
(3 V battery included)

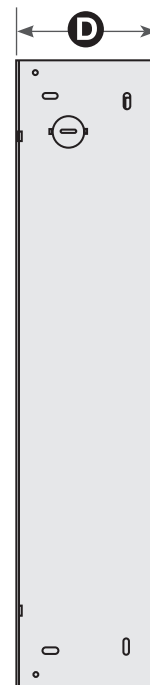
**QSPSY-P1-10-60**



with cover



without cover



**Dimensions**

- A** 10.3 in. (262 mm)
- B** 9.5 in. (241 mm)
- C** 17.5 in. (445 mm)
- D** 3.9 in. (99 mm)

The Sivoia® QS power panel uses 8 A maximum of one power panel per 15 A circuit, two panels per 20 A circuit.

Lutron recommends using high magnetic circuit breakers for power panels.

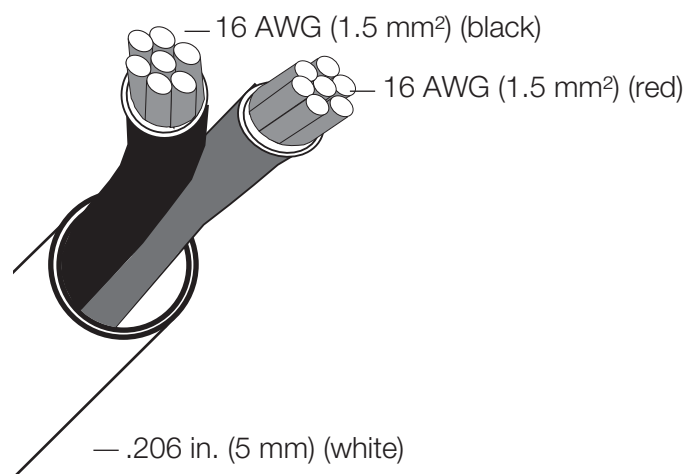
(See page 122 for individual power supply options.)



QSPSY-P1-10-60

### Sivoia® QS Wireless cable

Lutron offers power cable for Sivoia QS Wireless systems.



### QSHY-CBL-M-1000

#### Description

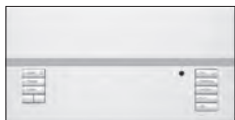
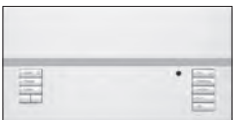
- Non-plenum rated cable for use with Sivoia QS Wireless systems  
(Plenum cable: QSHY-CBLP-M-1000)

#### Specifications

- Listed as cable type CL3
- Available in 1,000 ft. (300 m) spools
- Five conductors:
  - Common — 16 AWG (1.5 mm²)
  - Power — 16 AWG (1.5 mm²)
- Total outer jacket diameter: 0.206 in. (5 mm)
- 300V rated
- PVC sheath, 90° C rated
- UL/CSA listed
- ROHS compliant



Integration for total light control




Single room total light control		
	Sivoia® QS	Sivoia QS Wireless
Integration	GRAFIK Eye® QS	GRAFIK Eye QS wireless
Part number	 QSG	 QSGRJ
Description	Sivoia QS and GRAFIK Eye QS communicate seamlessly via the QS communications link, allowing for scenes including both lights and shades.	Sivoia QS Wireless and GRAFIK Eye QS Wireless communicate seamlessly via the QS communications link, allowing for scenes including both lights and shades.

For more product integration possibilities, visit [www.lutron.com](http://www.lutron.com).

Note: contact closure interfaces are available for all systems.





Whole home total light control		
	Sivoia® QS	Sivoia QS Wireless
Integration	HomeWorks® QS processor	RadioRA® 2 main repeater
Part number	 HQP6-2	 RR-MAIN-REP-WH
Description	The processor provides intelligence for automating lights and Sivoia QS shades at different times of day.	RadioRA 2 main repeater natively supports Sivoia QS wireless shades, keypads, and RadioRA 2 components without additional interfaces. Allows for up to 100 devices.

For more product integration possibilities, visit [www.lutron.com](http://www.lutron.com).

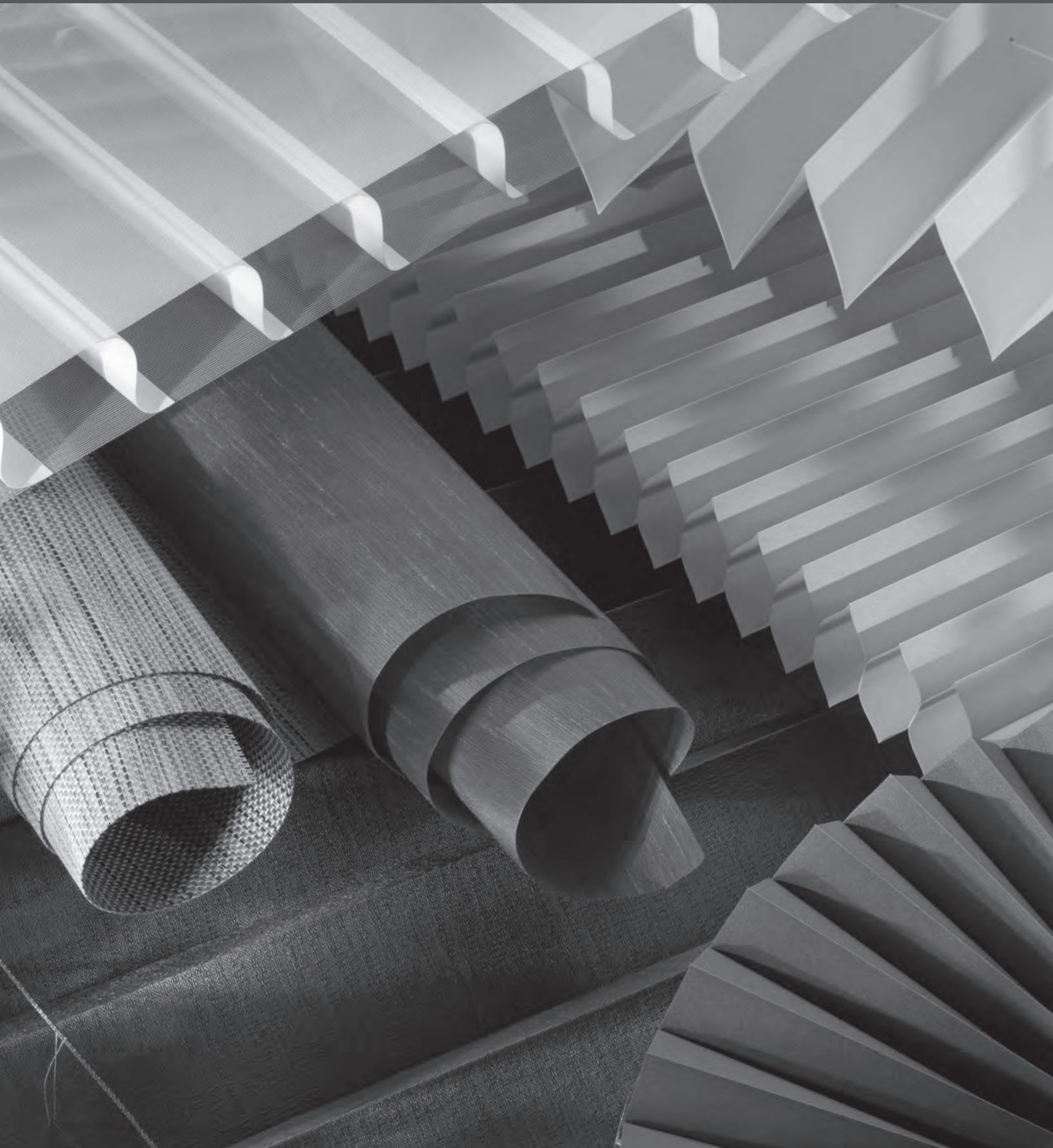
Whole building total light control		
	Sivoia® QS	Sivoia QS Wireless
Integration	Quantum®	n/a
Part number	 <p>QP2</p>	n/a
Description	Provides a centralized connection point for Lutron EcoSystem®, digital ballast modules, Lutron power panels, GRAFIK Eye® QS, and Sivoia QS shades.	n/a

For more product integration possibilities, visit [www.lutron.com](http://www.lutron.com).



Third-party integration		
	Sivoia® QS	Sivoia QS Wireless
Integration	RS232 and IP interface BACnet® communication through Quantum® processor and HomeWorks® QS processor.	HomeWorks QS processor and hybrid repeater. Requires PC programming.
Part number	 QSE-CI-NWK-E  QSE-IO	 HQP6-2  HQR-REP-120
Description	Provides an access point for QS-based systems through RS232 or TCP/IP over Ethernet, allowing third-party devices to control and/or monitor a QS system.	HomeWorks QS natively supports IP integration with Sivoia QS wireless shades, keypads, and HomeWorks QS components with use of a hybrid repeater. Allows for up to 100 devices per RF link.

For more product integration possibilities, visit [www.lutron.com](http://www.lutron.com).



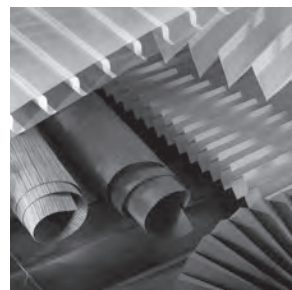
### Introducing the Lutron Design Collections

Curated from the finest materials from leading fabric manufacturers all over the world, our newly refreshed and redesigned fabric offering brings Lutron window treatments to the forefront of fashion. These design-focused collections unite the quality you expect with the variety you need, and expand our product line to include new shade styles.

The Lutron Design Collections have solutions for every style and project—see how we can put your individual style in motion.

### The Gallery Collection

The Gallery Collection is an extensive line of fashion fabrics for roller shades, horizontal sheer blinds, pleated shades, and honeycomb shades. Choose from a variety of rich fabrics in warm neutrals, fresh whites, and bright colors that pop, as well as five opacities: sheer, translucent, black-out, light-filtering, and room-darkening.



#### Roller Shades



#### NEW Horizontal Sheer Blinds



#### NEW Fashion Pleated Shades



#### NEW Fashion Honeycomb Shades

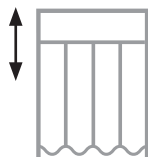


### The Avant Collection®

Beautiful, sophisticated soft fabrics and natural woven woods define this collection of Kirbé® vertical drapery, traditional drapery, and Roman shades. Earth tones and crisp, clean whites anchor this selection of timeless window treatments. The Avant Collection also includes a full line of distinctive Venetian woods and aluminums designed to complement any taste.



#### Kirbé® Vertical Drapery



#### Drapery



#### Roman Shades

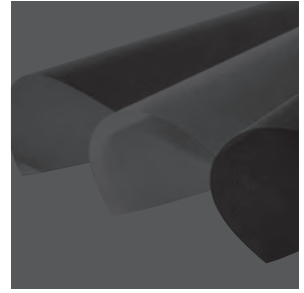


#### Venetian Blinds

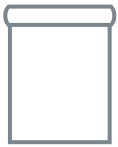


### The Classico™ Collection

Look to the Classico Collection for performance fabrics designed to suit any commercial or residential application. This functional collection is available in sheer, dim-out, and blackout opacities, so you can choose the amount of sunlight you want entering the space. Sheers, which have open weaves, filter sunlight while preserving the view. Dim-outs permit some light penetration, but limit the view to shapes and shadows. Blackouts prevent all light from passing through, and when combined with side channels and top treatments, ensure a complete light seal.



#### Roller Shades



#### Tensioned Roller Shades

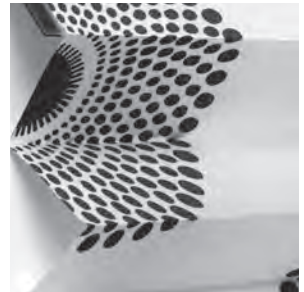


#### Cable-Guided Roller Shades



### The Euro Collection with Coulisse

Fashion meets technology when Coulisse—a premier European brand in window fashion—and Lutron come together in this stylish collection. Choose from four fabric lines: Elegance, Tranquil, Bold, and Impact for roller shades, XL Pleats, and Venetian blinds. Colors range from warm browns and rich indigos to vibrant yellows, sweet pinks, and powerful blacks.



#### Roller Shades



#### XL Pleats



#### Venetian Blinds



Choosing the right fabric is critical to a successful shading project. Fabric selection is determined by evaluating the orientation of each elevation and the designer's objectives.

Before specifying fabric:

### **Consider the application**

- Commercial or residential?
- Multi-purpose or dedicated function rooms?
- Day, night, or all-hours use?
- What types of activities will occur in the space?
- Will an aesthetic match be important inside or outside the building?

### **Prioritize needs**

- Control glare inside (reduce reflections on computer monitors and TVs)
- Maintain view through shades
- Protect interiors from fading
- Reduce solar heat gain
- Achieve a particular aesthetic (inside or outside)
- Reduce environmental impact by selecting a sustainable fabric
- Create privacy
- Create a darkened room

If a space is multi-purpose or several priorities are equally important, consider a dual-mount application with two fabrics on the same window (typically a sheer coupled with a dim-out or blackout).

### **Consider sustainability**

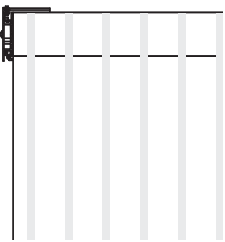
Often fabrics are manufactured with chemicals to make them durable. Lutron sustainable fabrics reduce or remove many of these chemicals in order to improve indoor air quality. Others are made from recycled content in order to protect the environment. Refer to the Lutron Fabric Collections app to find which fabrics are either PVC-free, recycled, GREENGUARD®, Cradle to Cradle, or Oeko-Tex® Standard 100 certified material.

### Roller shade fabric rules

#### Railroading

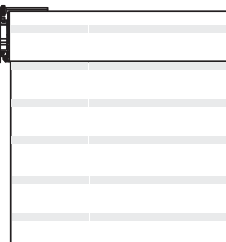
Railroading fabric is an option for applications requiring shades wider than the usable roll width. Railroading rotates the fabric 90 degrees from its typical orientation. If the fabric has a distinct pattern, please note that this pattern will also be rotated 90 degrees, which will alter the final appearance of the shade.

#### Standard shade



For applications that are narrower than the usable roll width

#### Railroaded shade

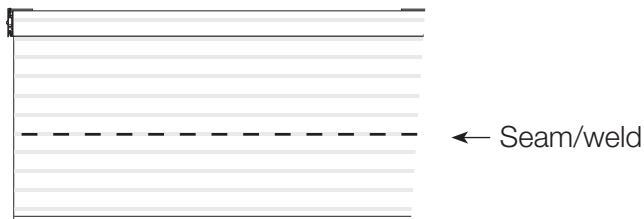


For applications that are wider than the usable roll width

#### Seaming/Welding

Some fabrics can be seamed/welded together in order to increase the size of a railroaded shade beyond its fabric roll width. This technique is used to achieve long, wide shades. If a fabric has a distinct pattern, aligning the pattern during seaming may alter the final appearance of the shade.

#### Railroaded and seamed shade



For applications that require a railroaded shade and a length that exceeds the usable roll width



# fabric selection | bottom bars

The Lutron bottom bar offers a clean aesthetic at the base of the shade. It is available in half-wrap or exposed styles.

Light-blocking wool pile is available for blackout shades with a 1 inch exposed bottom bar. Optional side channels are also available for a complete light seal in blackout applications.

The bottom bar is available in White, Anodized Aluminum, Black, Bronze, Light Ivory, Taupe, or Slate Grey. The endcaps are White, Grey, Black, Bronze, Light Ivory, Taupe, or Slate Grey, and coordinate with the exposed bottom bar color or with the fabric on half-wrap bars.



Facing room

**Sealed (2 sizes available)**



Side view



Facing room

**Half wrap architectural**



Side view



Facing room

**Oval**

(For use with cable-guided shades.)



Side view



Facing room

**Exposed architectural**



Side view



**NEW Designer hembar**

(style for battery-powered roller)



Facing room

**1 inch exposed**

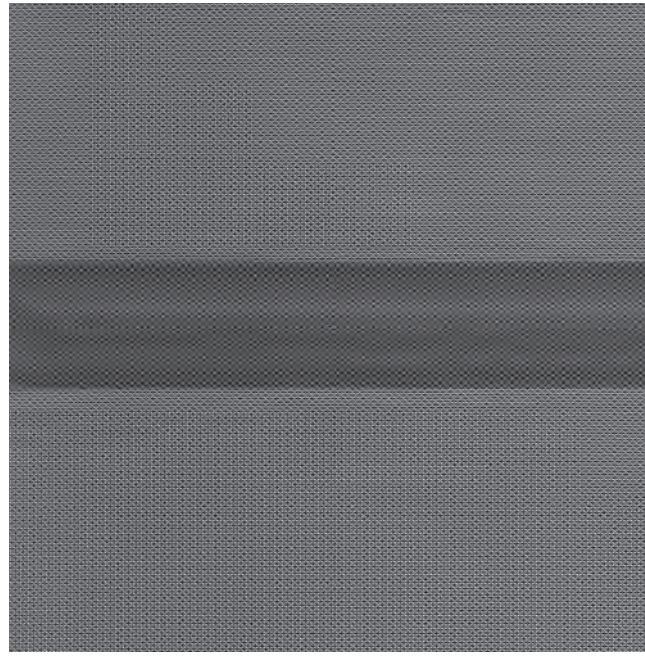


Side view

**Sealed battens**

For shades that are very tall or very wide, horizontal battens can be seamed into the fabric to provide stability and help ensure the best performance. (For use with Classico™ Collection fabrics only.)

Sealed batten



**Examples:**



Tall shade with battens  
(Shown: approximately 16 ft. tall)



Wide shade with batten  
(Shown: approximately 15 ft. wide)



The following details can help when ordering and installing The Avant Collection window treatments.

### **Privacy**

Please note that some materials have open weaves. Although they may block outside views during the day, at night they may not provide sufficient privacy. To achieve privacy for the Kirbé® vertical drapery system, pair it with the optional roller shade feature. For woven wood Roman shades, use a fabric lining.

### **Roman shades**

Soft fabric Romans **must** be lined. Woven wood Roman shades do not require lining.

### **Fabric relaxation**

It's natural for fabrics to "relax" and sometimes lengthen over time. Soft fabrics, however, have been stored on a roll until made into a drapery or Roman shade. So when measuring for drapery length, please allow proper clearances for sills and floors. Lining drapery adds structure and can minimize relaxation.

Woven woods are a natural and sometimes heavy shading material. These materials may relax over time as well.

### **Consolidating orders**

Fabric runs and woven wood dye lots are subject to subtle variation. When ordering multiple shades for a room or home, it is best to place the entire order at one time, as opposed to breaking up the order. This will ensure consistent color across all shades on a project.

### **Custom printing**

Custom printing is available on select Avant Collection® soft fabrics. Please contact Customer Service for more information.



### Customer's own material (COM)

Draperies or Roman shade

We recognize the unique nature of your projects and the need to match or coordinate window treatments with existing furnishings. This service allows you to select materials outside of our standard offering, giving you the freedom to create your own design while still providing the reliable motorization of Lutron. **Simply follow this easy 3-step process:**

#### Choose your shade style and custom fabric for preliminary qualification

Once you have selected your preferred fabric, simply submit the following details to

**shadingquotes@lutron.com** or 1-800-446-1503 to receive preliminary qualification: **Fabric weight, fabric thickness, intended application, useable fabric width, and fabric manufacturer.**

#### Send us your SCT quote and a sample of your fabric for testing

If the fabric meets the preliminary qualifications, you will need to send a material sample (width of roll x 1 yard height), for engineering review. A customer service representative will supply you with a COM# and shipping address.

#### Send us the required fabric needed for production

Our shade manufacturing facility will evaluate your material to confirm it is suitable for your desired window treatment application. If so, a customer service representative will provide a quotation, COM#, amount of material needed, and shipping address for the required material.

To find a Lutron Qualified Shade Provider, please contact Customer Service at 1.888.588.7661, contact your local Lutron representative, or visit **www.lutron.com** for our "Where to Buy" dealer locator.



## NEW Custom printing program

Traditional or Kirbé® vertical drapery

Give your space a personal touch by reproducing a favorite painting or custom design on a Lutron approved fabric. Follow the easy steps below to supply your own design, or choose from one of our pre-designed patterns. **Simply follow this easy 3-step process:\*\***

### Select your design

Choose from four standard prints in 12 color combinations or supply your own print or pattern and email your request to **shadingquotes@lutron.com**.

### Submit your order

Once you have submitted your custom printing request, the Lutron Custom Printed Drapery Team will provide you with a quote.

### Approve your proof

The Lutron Custom Printed Drapery Team will email a PDF proof of your drapery order, which must be reviewed and approved in order for production to begin. Once the artwork is approved, it will take 8 weeks for your order to be printed, assembled, and shipped.

To find a Lutron Qualified Shade Provider, please contact Customer Service at 1.888.588.7661, contact your local Lutron representative, or visit **www.lutron.com** for our 'Where to Buy' dealer locator.

\* From approval of quote and receipt of materials.

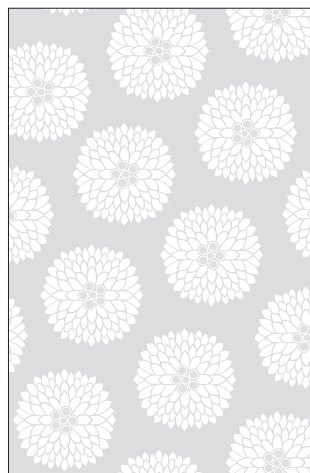
\*\* Prior to submitting Custom Printing Files, it is important to align with a Lutron qualified shade provider to assist with the quotation process. Projects must be submitted with an RFQ file from the Lutron shade configuration tool (SCT).

## Custom printed standard patterns

Looking for a signature design but don't have a pattern in mind? These three popular palettes add a fresh touch to any space. Available for traditional and Kirbé vertical draperies, choose one of the following prints and add a unique shading style to any space.



Billie—Bold  
**CP-BLLE-B**



Aretha—Traditional  
**CP-ARTHA-T**

### Stocking categories

Lutron roller shade fabrics have been divided into three stocking categories. This stocking program allows us to offer a wider variety of fabrics for your use. **All Gallery Collection fabrics and Lutron Coulisse Collection fabrics currently fall into Category 2 – Premium. Classico™ Collection fabrics fall into different categories.**

To determine which are stocked, premium, or custom, please refer to the matrices earlier in this chapter. Please review the categories below for fabric availability information and product support.

#### Category 1 – Stocked

- Completed shades are available for shipping within **15 business days** from receipt of order.

#### Category 2 – Premium

- Completed shades are available for shipping within 20 business days from receipt of order.

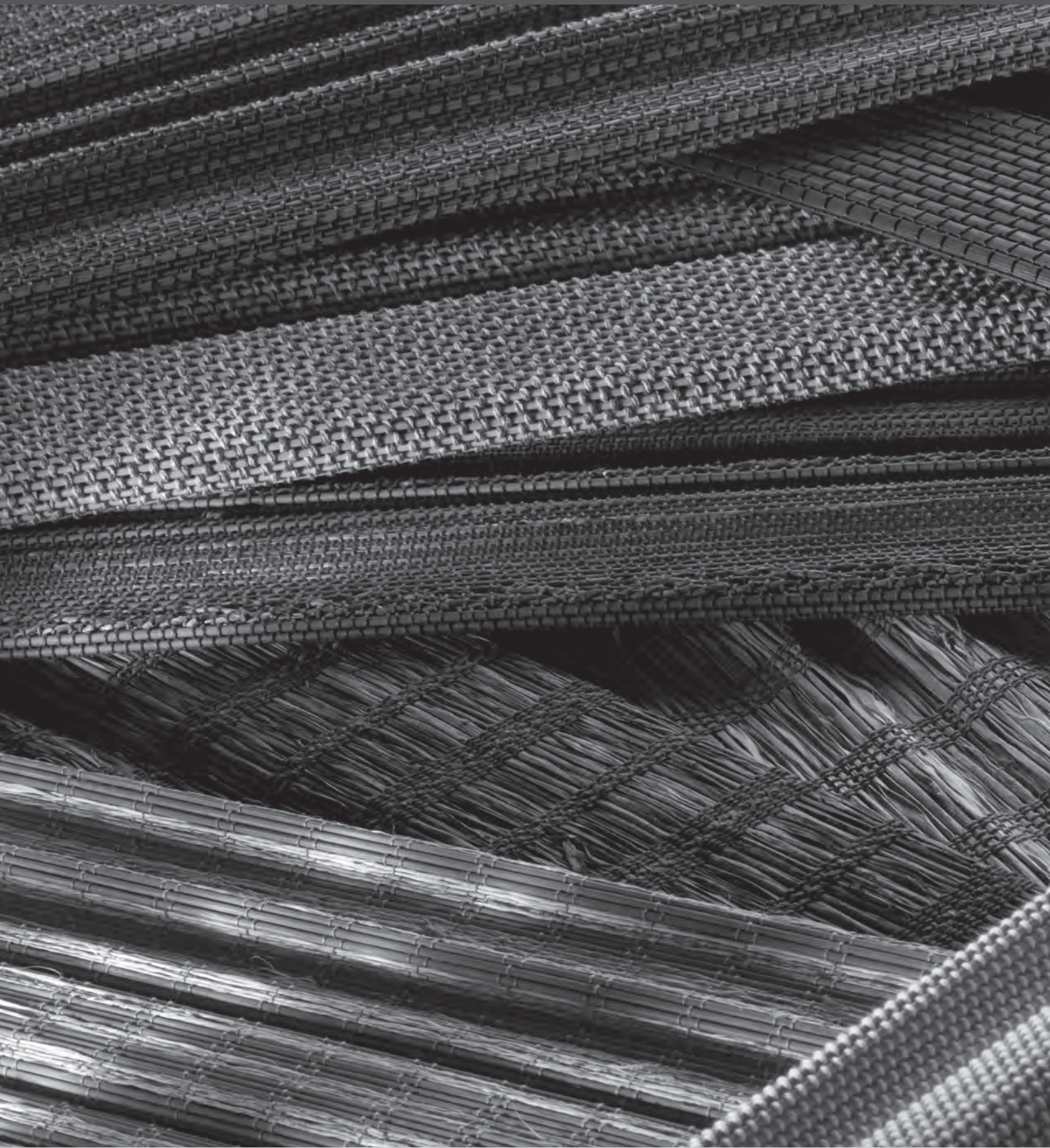
Please note that the following sampling information applies to both Category 1 and Category 2 fabrics only:

- Memo samples will be processed within 48 to 72 hours. Refer to the SCT under “Marketing Materials” for model numbers or call your Lutron customer service representative for assistance.
- Fabric binders are available for these fabrics. Refer to the SCT under “Marketing Materials.”

**Please visit [www.lutron.com/binders](http://www.lutron.com/binders) to register your binder in order to receive binder update kits in the future.**

#### Category 3 – Custom

- Completed shades are available for shipping in a minimum of **30 business days** from receipt of order — subject to availability.
- Memo samples are to be provided by the fabric supplier. Contact your Lutron customer service representative to process these samples. Once an order has been placed fabric samples will be shipped directly to you from the fabric supplier.
- Fabric binder cards will NOT be available for custom fabrics.





## Align

A single, coherent structure.  
Endless freedom of expression.

### Aesthetics

#### **Minimal, symmetrical light gaps**

Lutron roller shade systems offer light gaps of .75 inch per side.

#### **Elegant control options**

Lutron controls are designed to match high-end working and living spaces and are available in a wide variety of colors and finishes, including metals.

#### **Wide array of fabrics**

Lutron shading systems are available in sheer, dim-out, and blackout fabrics to suit any function or aesthetic need, including many PVC-free fabric choices.

#### **Intelligent Hembar Alignment™**

All shades in a Lutron shading system will track together and stop at programmable preset positions to within .125 inch. By utilizing intelligent hembar alignment, roller 20™, roller 64™, roller 100™, roller 150™, roller 225™, and roller 300™ shade systems will move and track together, even though they use different size roller tubes.

### Flexibility and performance

#### **Limits and presets never lost**

Limits and preset shade positions are electronically precision-set and locked, providing power failure memory for up to 10 years. These limits and presets will never slip regardless of age, electrostatic discharge, or power failure.

#### **Sustainable design and LEED®**

Lutron solutions can contribute to 40 or more of the 110 possible points in LEED® NC, CS, or S.



#### **System warranty and support**

Lutron shading systems come with an 8-year limited warranty, plus optional extended service. Lutron has factory-employed field service engineers throughout the world and is the only lighting control or shade systems manufacturer in the world with a 24-hour, 7 days a week technical support center.



## Control

### **Ultra-quiet electronic drive**

Lutron systems are low-voltage and operate at a near-silent level — rated at 38 dBA at 3 feet (roller 20™ operates at 44 dBA and roller 300™ operates at 50 dBA). Shades move smoothly and stop at preset positions with no audible clicks.

### **Total light control**

Lutron lighting control systems integrate with Lutron shading systems, offering intuitive control of both electric light and daylight.

## Installation

### **Simple reconfiguration**

Lutron systems can easily be reconfigured, limits can be changed, and presets can be reprogrammed without rewiring by using the remote, keypad, or electronic drive unit (EDU).

### **Simplified wiring**

Lutron shading systems do not require any group controllers, relays, or line-voltage wiring between EDUs. Wiring can be simplified by using an optional power panel, allowing all system wiring to be run to one convenient location.

# specification | Pleated Shade and Fashion Honeycomb Shade Selection Guide

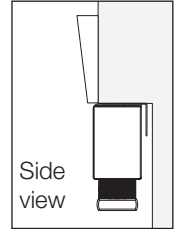
**Residence:** \_\_\_\_\_ **Room:** \_\_\_\_\_ **Window(s):** \_\_\_\_\_

**Important:** If you plan on installing the shade in a place where you need to raise the entire shade above an obstacle (such as above doors that open), please refer to our [stacking guidelines](#) (P/N 368-2942) or contact Customer Service to determine how high to mount your shade.

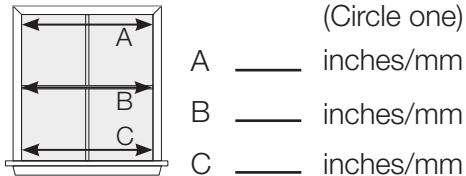
## Step 1 | Option A: Inside Mount Measurements

### Inside Mount Measurements

- Depth of window must be at least 1½" (38 mm) to use inside mounting option (partial).
- Depth of window must be at least 2¾" (70 mm) to use inside mounting option (full).
- Do not make any deductions from the width! Lutron will deduct ⅛" (3 mm) per side on inside mounted shades to allow room for proper operation.
- Lutron will make NO additions or deductions to the height measurement.

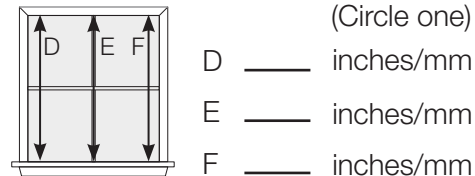


#### Width:



Order width: \_\_\_\_\_ inches/mm  
(**Smallest** of the three measurements)

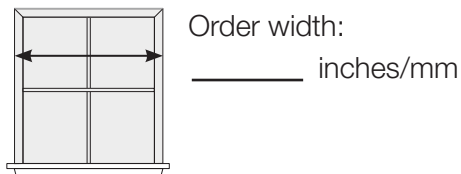
#### Height:



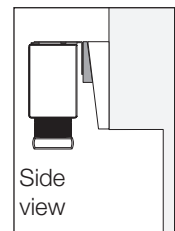
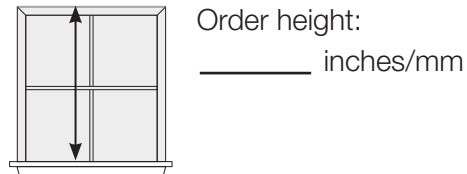
Order height: \_\_\_\_\_ inches/mm  
(**Largest** of the three measurements)

## Step 1 | Option B: Outside Mount Measurements

**Width:** The width of your shades is up to you. For example, if you'd like to completely cover the window, measure from edge to edge of the frame.



**Height:** Measure from the top of the trim to the windowsill.





## Step 2

## Select Pleat Style and Fabric

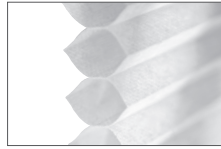
### XL Pleat



### Fashion Pleat



### Fashion Honeycomb



Fabric Color: \_\_\_\_\_ (see [lutron.com/fabrics](http://lutron.com/fabrics))

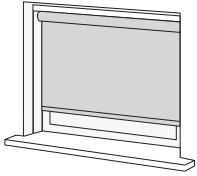
Fabric P/N: \_\_\_\_\_ (see Lutron Coulisse Collection Impact binder or Gallery Collection binder)

See Gallery Collection binder, Euro Collection Impact Binder, or [lutron.com/fabrics](http://lutron.com/fabrics) for more information.

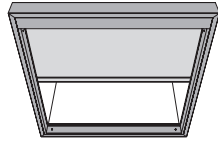
Please visit [www.lutron.com/fabrics](http://www.lutron.com/fabrics) for more information or download the Lutron Design Collections app from the App Store.

Residence: \_\_\_\_\_ Area: \_\_\_\_\_ Window(s): \_\_\_\_\_

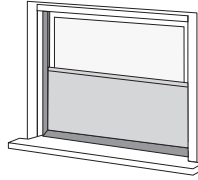
## Step 1 Select Style



Roller Shade

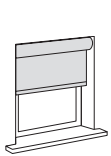


Skylight/Angled

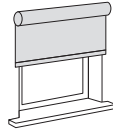


Bottom-up

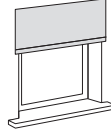
## Step 2 Select Mounting Option



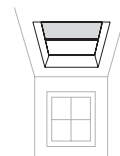
Inside window jamb or window well



Outside window jamb or window well



Pocket mount\* (Recessed into ceiling)  
\*Roller shades only



Recessed into window well so frame is hidden\*  
\*For skylight and bottom-up applications only

## Step 3 Select Fabric Orientation

If specifying a skylight or bottom-up shade, skip to Step 4.



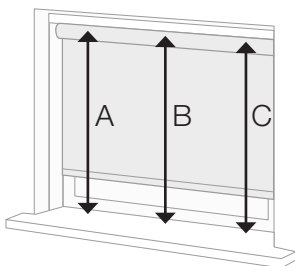
Regular (with fabric closest to the glass)



Reverse\* (with fabric farthest from the glass)  
\*Recommended to clear door or window hardware.

## Step 4 Measure Height and Width

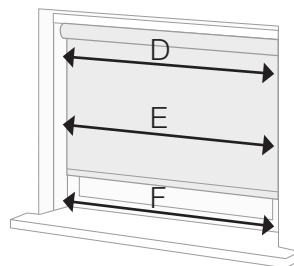
Measure to the nearest 1/8 of an inch.



A \_\_\_\_\_ inches

B \_\_\_\_\_ inches

C \_\_\_\_\_ inches



D \_\_\_\_\_ inches

E \_\_\_\_\_ inches

F \_\_\_\_\_ inches

## Step 5

### Select Fabric

- Fabric and Color Name (Note: not all fabrics are compatible with skylights and bottom-up)

Fabric Model Number \_\_\_\_\_

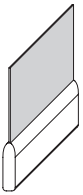
- Custom Printed Material—Digital file must be provided as a .tif file at 100 ppi or higher.
- Customer's Own Material (COM)—Please provide samples the size of the largest length and width indicated in Step 4.

\*Utilize the Classic™ Collection, Gallery Collection, or Euro Collection roller fabric binders or go to [www.lutron.com/fabrics](http://www.lutron.com/fabrics) to select the right fabric for your application.

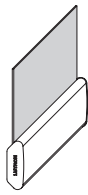
## Step 6a

### Select Bottom Bar

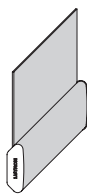
If specifying a skylight or bottom-up shade, skip to Step 6b.



- Exposed



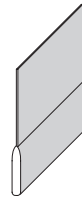
- Architectural exposed



- Architectural half wrap



- Sealed (without end cap)



- Sealed (with end cap)

Note: Fabric selected may not be compatible with all bottom bar options. Exposed bottom bar is not available with fabrics from the Lutron Coulissee Collection.

## Step 6b

### Select Bottom Bar or Frame Color

- |   |                                       |
|---|---------------------------------------|
| <input type="checkbox"/> Clear Anodized     | <input type="checkbox"/> Taupe*       |
| <input type="checkbox"/> White              | <input type="checkbox"/> Light Ivory* |
| <input type="checkbox"/> Black*             | <input type="checkbox"/> Slate Gray*  |
| <input type="checkbox"/> Bronze*            |                                       |
| <input type="checkbox"/> Custom Color _____ |                                       |

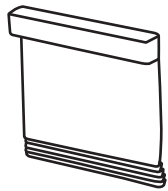
\*Black, Taupe, Light Ivory, Slate Grey, and Bronze have an added lead time and cost for skylights, angled, and bottom-up shades.

**Please note:** Product options may vary depending on application and intended use. For more technical information, reference the Lutron shading solutions product guide (P/N 367-1455) located at [www.lutron.com](http://www.lutron.com) or work with your Lutron qualified installer. Product availability is subject to change.

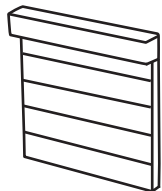
Please contact your local Lutron sales representative for more information on ordering product. Please visit [www.lutron.com/fabrics](http://www.lutron.com/fabrics) for more information or download the Lutron Design Collections app from the App Store.

Residence: \_\_\_\_\_ Area: \_\_\_\_\_ Window(s): \_\_\_\_\_

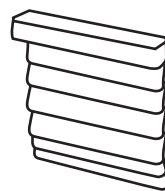
**Step 1** Select Style



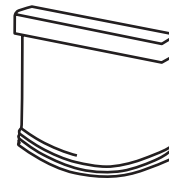
Flat



Knife Pleat



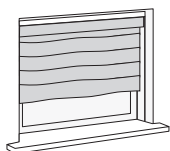
Hobbled



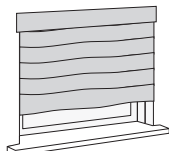
Casual

Note: Woven woods are only available in flat style.

**Step 2** Select Mounting Option



Inside window jamb\*



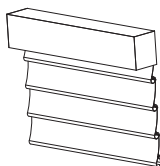
Outside window jamb

\*Not available with casual pleat style

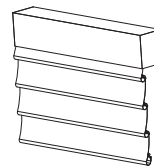
**Step 3** Select Control Option



Front Control\*  
(with fabric closest to the glass)  
\*Recommended when light gaps are a concern.

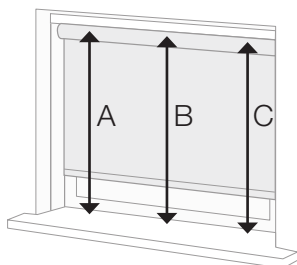


Back Control\*  
(with fabric farthest from the glass)  
\*Recommended to clear door or window hardware.

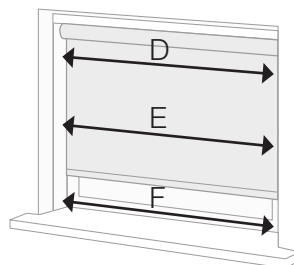


**Step 4** Measure Height and Width

Measure to the nearest 1/8 of an inch.



A \_\_\_\_\_ inches  
B \_\_\_\_\_ inches  
C \_\_\_\_\_ inches



D \_\_\_\_\_ inches  
E \_\_\_\_\_ inches  
F \_\_\_\_\_ inches

**Step 5**

## Select Fabric

- Avant Collection® Fabric Name and Color (sheers cannot be used) \_\_\_\_\_  
 \_\_\_\_\_  
 Fabric Model Number \_\_\_\_\_
- Customer's Own Material (COM)—Please provide a sample with this sheet. (Sample should be the roll width x 18 inches.)

**Step 6**

## Select Lining

- Lining Name and Color\* \_\_\_\_\_  
 \_\_\_\_\_  
 Lining Model Number \_\_\_\_\_

\*Note: lining is required for soft fabric Roman shades

**Step 7a**

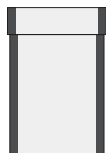
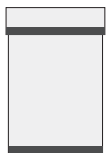
## Select Edge Binding (optional)

Edge binding is fabric or twill material wrapped around the edges of a woven wood Roman shade to provide a decorative frame that is visible on both sides of the shade.

- Yes       No

**Step 7b**

## Select Binding Location



- 2 edges (horizontal)       2 edges (vertical)       3 edges       4 edges

**Step 7c**

## Select Binding Width

- 1¼ inches  
 (⅝ inches of binding shows on front and back of shade)
- 3 inches  
 (1½ inches of binding shows on front and back of shade)

**Step 7d**

## Select Binding Color

- Color Name \_\_\_\_\_

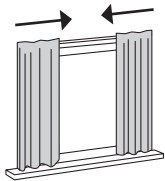
Please contact your local Lutron sales representative for more information on ordering product. Please visit [www.lutron.com/fabrics](http://www.lutron.com/fabrics) for more information or download the Lutron Design Collections app from the App Store.

# specification | Drapery System Selection Guide

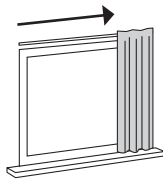
**Residence:** \_\_\_\_\_ **Area:** \_\_\_\_\_ **Window(s):** \_\_\_\_\_

This guide can be used to specify drapery systems with or without fabric, except Kirbé®, which must be ordered with fabric.

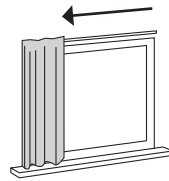
## Step 1 | Select Style



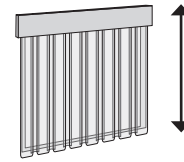
Center draw



Right draw



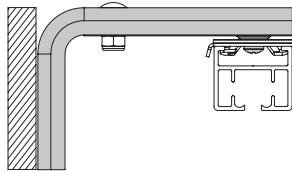
Left draw



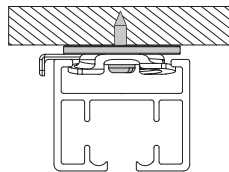
Kirbé vertical drapery system

## Step 2 | Select Mounting Option

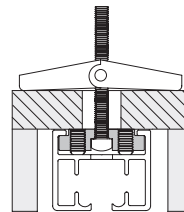
If specifying Kirbé, skip to Step 4.



On the wall



On the ceiling



Recessed into the ceiling to conceal track

## Step 3a | Select Track Shape



Straight



Curved



Bend

## Step 3b | Select Track Type

Single



Tandem



Dual

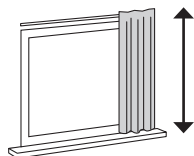


Dual Tandem



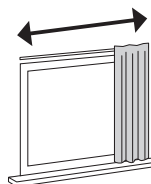
## Step 4 | Measure Height and Width

For straight tracks:



Height

\_\_\_\_\_ inches



Width

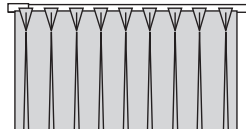
\_\_\_\_\_ inches

Curved tracks require a template. Contact your qualified Lutron installer.

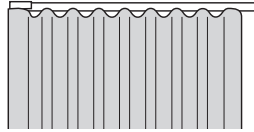
**Please note:** Product options may vary depending on application and intended use. For more technical information, reference the Lutron shading solutions product guide (P/N 367-1455) located at [www.lutron.com](http://www.lutron.com) or work with your Lutron qualified installer. Product availability is subject to change.

**Step 5** Select Pleat Style

If specifying Kirbé®, skip to Step 6a.






Pinch Pleat



Ripplefold

For Ripplefold only:

Select the fullness of drapery

- 80% 
- 100% 
- 120% 

**Step 6a** Select Fabric

- Avant Collection® Fabric Name and Color \_\_\_\_\_  
Fabric Model Number \_\_\_\_\_
- Custom Printed Material—Digital file must be provided as a .tif file at 100 ppi or higher.
- Customer's Own Material (COM)—Please provide a sample with this sheet.  None

**Step 6b** Select Lining

- Avant Collection Lining Name and Color \_\_\_\_\_
- None (Lining cannot be used with Kirbé)

**Step 7** Select Track Color

- Bronze  White  Clear Anodized  Custom Color \_\_\_\_\_

**Cornice Selection Guide**

Cornices may be used on the Kirbé and traditional drapery track systems, as well as Lutron roller shades. They afford flexibility as they permit outside mounts for shading systems with no construction of pockets.

**Step 1** Select Cornice



Shape A



Shape B



Shape C



Shape D



Straight

**Step 2** Select Fabric

- Avant Collection Fabric Name and Color \_\_\_\_\_  
Fabric Model Number \_\_\_\_\_
- Custom Printed Material (Please provide digital file)
- Customer's Own Material (Please provide a sample)
- None

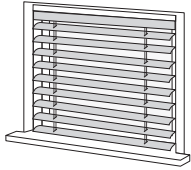
**Step 3** Select Lining Color

- White  Off-white

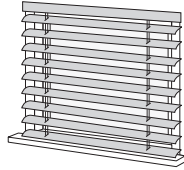
Please contact your local Lutron sales representative for more information on ordering product.

Residence: \_\_\_\_\_ Area: \_\_\_\_\_ Window(s): \_\_\_\_\_

**Step 1** Select Mounting Option



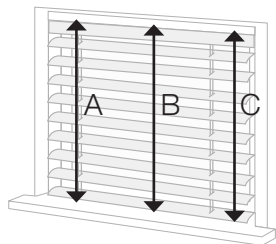
Inside window jamb



Outside window jamb

**Step 2** Measure Height and Width

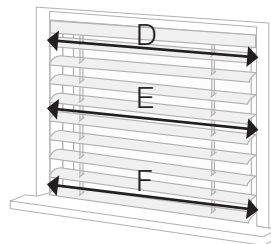
Measure to the nearest 1/8 of an inch.



A \_\_\_\_\_ inches

B \_\_\_\_\_ inches

C \_\_\_\_\_ inches



D \_\_\_\_\_ inches

E \_\_\_\_\_ inches

F \_\_\_\_\_ inches

**Step 3** Select Slat Finish

Color Name \_\_\_\_\_

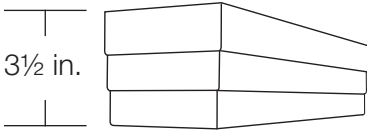
Color Model Number \_\_\_\_\_

Custom Color Matching—Sample of finish being requested must be submitted.

See Venetian binder, Euro Collection Impact binder, or [lutron.com/fabrics](http://lutron.com/fabrics) for more information.

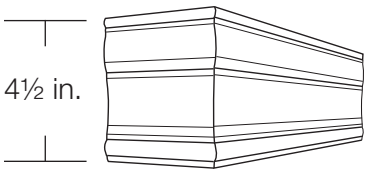


**Step 4** Select Valance Style



Camelot

None



Majesty

Note: Euro Collection Venetians do not have their own valance. They can be paired with one of the styles of Avant Collection® valances with Avant finishes, and must be ordered as separate line items.

**Step 5** Select Valance Finish (if applicable)

- Color Name \_\_\_\_\_  
Color Model Number \_\_\_\_\_
- Custom Color Matching—Sample of finish being requested must be submitted.

**Step 6** Select Decorative Tape (optional)

- Color Name \_\_\_\_\_  
Color Model Number \_\_\_\_\_
- None



**Please note:** Product options may vary depending on application and intended use. For more technical information, reference the Lutron shading solutions product guide (P/N 367-1455) located at [www.lutron.com](http://www.lutron.com) or work with your Lutron qualified installer. Product availability is subject to change.

Please contact your local Lutron sales representative for more information on ordering product.





Please visit [www.lutron.com/fabrics](http://www.lutron.com/fabrics) for more information or download the Lutron Design Collections app from the App Store.

Residence: \_\_\_\_\_ Room: \_\_\_\_\_ Window(s): \_\_\_\_\_








**Step 1** Select Shade Style

- Honeycomb**
  - Roller**
    - Headrail without fascia
    - Fabric-wrapped fascia (regular roll only)
- Roll orientation**
-  **Regular –** fabric closest to the glass (standard)
  -  **Reverse –** fabric farthest from the glass. Recommended to clear door or window hardware.

**Step 2** Select Power

-  Battery powered
-  Plug-in
-  Power panel
-  Manual shade

**Step 3** Select Control

- System**
  -  Keypad
  -  Timeclock
  -  Mobile device
  -  Third-party integration
  -  Pico® wireless control
- Stand-alone**
  -  **Pico® –** for controlling a single shade or multiple shades with one button press.
  -  **4-group RF –** for assigning a group of shades to each of the four group buttons on the remote.

**Please note:** Product options may vary depending on application and intended use. For more technical information, reference [www.lutron.com](http://www.lutron.com) or work with your qualified Lutron provider. Product availability is subject to change.

## Step 4

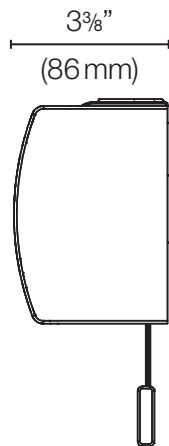
## Shade Mount and Measurements (choose one)

**Inside mount**

**Roller shade**

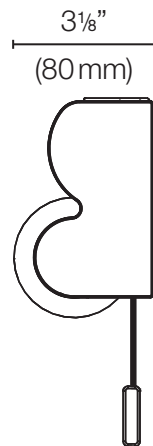
### With fascia

Fully recessed



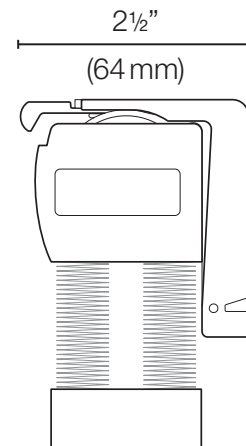
### Without fascia

Fully recessed



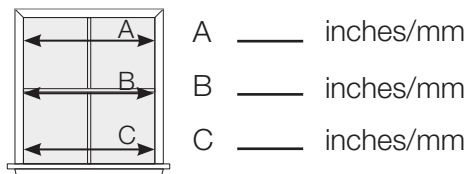
**Honeycomb shade**

Fully recessed



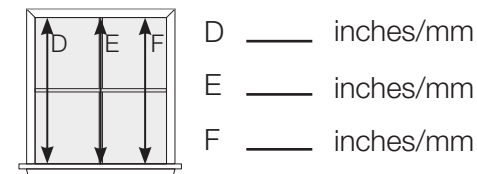
Please note: For partial recess, the location of the mounting screw is 0.5" (13 mm) in from the back of the bracket for roller shades and .75" (19 mm) for honeycomb shades.

### Width:



Smallest width: \_\_\_\_\_ inches/mm

### Height:



Largest height: \_\_\_\_\_ inches/mm

**Outside mount on trim**

**Width:** The width of your shades can be as wide as you want, depending on what you want the fabric to cover.

Width: \_\_\_\_\_ inches/mm

**Outside mount above trim** (includes spacers)

**Height:** Measure from the top of the headrail to the windowsill.

Height: \_\_\_\_\_ inches/mm

Note: If mounting above the trim, we recommend allowing for at least 3 1/8" (80 mm) for honeycomb, 4.5" (114 mm) for roller, of space above the top edge of the window trim for the shade brackets.

## Step 5

### Select Fabric

Utilize the Insulating Honeycomb or Roller Essentials fabric binder or visit [www.lutron.com/fabrics](http://www.lutron.com/fabrics)

Fabric P/N: \_\_\_\_\_

For more information, please download The Lutron Fabric Collections app from the App Store.

## Step 6

### Honeycomb Shade Enhancements

#### Back cover




A back cover on the back of the headrail eliminates any light that may come through the mounting area (usually only used on room darkening, inside mount applications).

#### Cable-guided

(outside mount only)

Select this if you are mounting a shade to a door.

Choose anchor and matching hardware color:

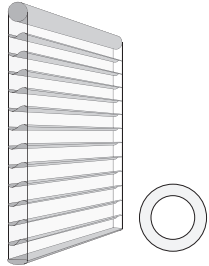
-     
- Snow     Biscuit     Sienna



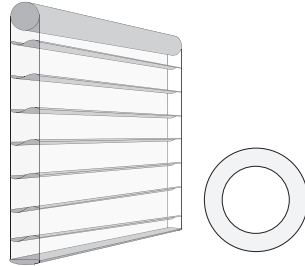
For more information, please visit [www.lutron.com](http://www.lutron.com) or call **1(800) 446-1503**.

Residence: \_\_\_\_\_ Area: \_\_\_\_\_ Window(s): \_\_\_\_\_

**Step 1** Select Tube/Vane Size



2" vane / 1 5/8" tube



3" vane / 2 1/2" tube

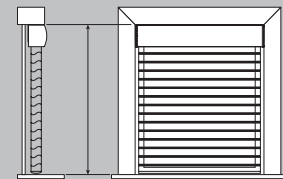
**Optional top treatment**

Fabric-wrapped fascia

**Step 2** Select Mounting Option

**IMPORTANT**

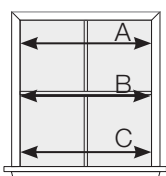
Horizontal sheer blinds are built to a single, specific height. The blind is tilted to the View position when fully extended. Please verify exact shade height that is required for your application to the nearest 1/16 inch. The height measurement includes the top assembly and bottom bar, so the dimension provided should reflect the height needed from the top of the assembly in its mounted position to the fully lowered bottom bar location (at the window sill, floor, etc). When in the Closed position, the blind maintains a gap of 3/8" between the bottom of the blind and the window sill, floor, etc.



**Step 2** Option A: Inside Mount Measurements

- To use inside mount, the window depth must be at least: 2 1/4" (57 mm) for both 2" and 3" vane
- To be fully recessed, the window depth must be at least: 3 5/8" (92 mm) for 2" vane, 4 1/4" (108 mm) for 3" vane
- Do not make any deductions from the width. Lutron will deduct 1/16" (2 mm) per side on inside mounted shades to allow room for proper operation.
- Width limitations: 2" vane (24"-96"); 3" vane (24"-114")
- Lutron will make NO additions or deductions to the height measurement.

**Width:**



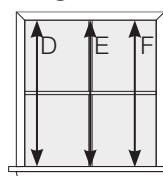
A \_\_\_\_\_ inches/mm

B \_\_\_\_\_ inches/mm

C \_\_\_\_\_ inches/mm

Smallest width: \_\_\_\_\_ inches/mm

**Height:**



D \_\_\_\_\_ inches/mm

E \_\_\_\_\_ inches/mm

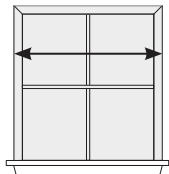
F \_\_\_\_\_ inches/mm

Smallest height: \_\_\_\_\_ inches/mm

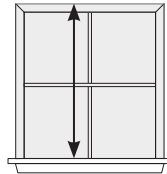
**Step 2**    **Option B: Outside Mount On Trim Measurements**

**Width:** The width of your shades is up to you. For example, if you'd like to completely cover the window, measure from edge to edge of the frame.

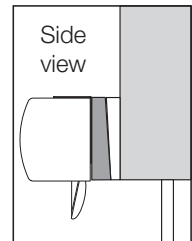
**Height:** Measure from the top of the trim to the windowsill.



Order width:  
\_\_\_\_\_ inches/mm



Order height:  
\_\_\_\_\_ inches/mm

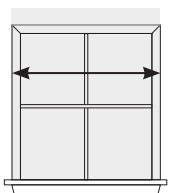


**Step 2**    **Option C: Outside Mount Above Trim Measurements**

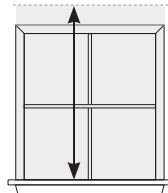
**Width:** The width of your shades is up to you. For example, if you'd like to completely cover the window, measure from edge to edge of the frame.

**Height:** Determine where you're going to mount the shade. Then measure from where the top of the headrail would fall, down to the windowsill.

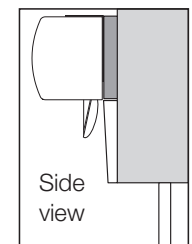
**Note:** The motorized bracket is 2 5/8" (67 mm) high, however, it is recommended to allow for at least 3 1/8" (80 mm) of space above the top edge of the window trim (manual shade brackets require you to allow for 1 5/8" (42 mm)).



Order width:  
\_\_\_\_\_ inches/mm



Order height:  
\_\_\_\_\_ inches/mm



**Step 3**    **Select Fabric**

Fabric and Color Name (Note: See Gallery Collection binder or [www.lutron.com/fabrics](http://www.lutron.com/fabrics))

\_\_\_\_\_

Fabric Model Number \_\_\_\_\_

## Step 4

### Select Top Back Cover Color

The selection here will determine the color of your top-back cover. Choosing any color other than White will result in an increased charge.

- |  |                                      |
|--|--------------------------------------|
| <input type="checkbox"/> White (default) | <input type="checkbox"/> Bronze      |
| <input type="checkbox"/> Black           | <input type="checkbox"/> Light Ivory |
| <input type="checkbox"/> Clear Anodized  | <input type="checkbox"/> Slate Grey  |
| <input type="checkbox"/> Taupe           |                                      |

## Step 5

### Select Hardware Color (for fabric-wrapped fascia only)

The selection here will determine the color of your fabric-wrapped fascia endcaps.

- |   |                                      |
|---|--------------------------------------|
| <input type="checkbox"/> Lutron-recommended color<br>(pre-selected to coordinate with fabric color) | <input type="checkbox"/> Bronze      |
| <input type="checkbox"/> Clear Anodized   | <input type="checkbox"/> Taupe       |
| <input type="checkbox"/> White  | <input type="checkbox"/> Light Ivory |
| <input type="checkbox"/> Black  | <input type="checkbox"/> Slate Grey  |
| <input type="checkbox"/> Custom Color _____   |                                      |

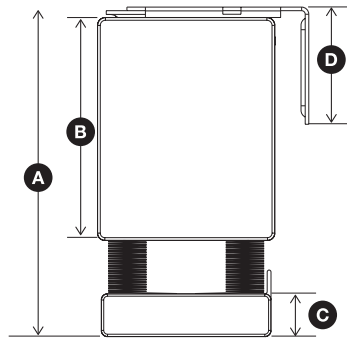
**Please note:** Product options may vary depending on application and intended use. For more technical information, reference the Lutron shading solutions product guide (P/N 367-1455) located at [www.lutron.com](http://www.lutron.com) or work with your Lutron qualified installer. Product availability is subject to change.

Please contact your local Lutron sales representative for more information on ordering product.

Please visit [www.lutron.com/fabrics](http://www.lutron.com/fabrics) for more information or download the Lutron Design Collections app from the App Store.

Use these stacking guidelines if you plan on installing your Lutron XL Pleat, Fashion Pleat, or Fashion Honeycomb shades in a place where you need to raise the entire shade above an obstacle (such as above doors that open). These guidelines will help you determine how high to mount your shade, so that the shade will clear the obstacle when it's fully raised.

- A = Stack height:** the total height of the fully raised shade from the top of the bracket to the bottom of the bottom rail
- B = 3.0 in (76 mm)**—headrail height
- C = 0.5 in (14 mm)**—bottom rail height
- D = 1.5 in (39 mm)**—bracket height



Note: Pleated fabric shown

**Dimensions for A**

Your Shade Height	Pleated		Honeycomb	
	Barcelona (Minimum)	Amalfi (Maximum)	Banco (Minimum)	Studio (Maximum)
1 ft	3.625 in (92 mm)	3.75 in (95 mm)	3.625 in (92 mm)	3.75 in (95 mm)
2 ft	3.625 in (92 mm)	4.00 in (101 mm)	3.75 in (95 mm)	3.875 in (98 mm)
3 ft	3.75 in (95 mm)	4.25 in. (108 mm)	3.875 in (98 mm)	4.00 in (101 mm)
4 ft	3.75 in (95 mm)	4.50 in (114 mm)	4.00 in (101 mm)	4.25 in (108 mm)
5 ft	3.875 in (98 mm)	4.75 in (121 mm)	4.125 in (105 mm)	4.375 in (111 mm)
6 ft	3.875 in (98 mm)	5.00 in (127 mm)	4.25 in (108 mm)	4.625 in (117 mm)
7 ft	4.00 in (101 mm)	5.25 in (133 mm)	4.25 in (108 mm)	4.75 in (121 mm)
8 ft	4.00 in (101 mm)	5.50 in (140 mm)	4.375 in (111 mm)	4.875 in (124 mm)
9 ft	4.125 in (105 mm)	5.75 in (146 mm)	4.50 in (114 mm)	5.125 in (130 mm)
10 ft	4.125 in (105 mm)	6.00 in (152 mm)	4.625 in (117 mm)	5.25 in (133 mm)

Stack height varies by fabric. The maximum and minimum fabrics are shown for reference.

Please visit [www.lutron.com/fabrics](http://www.lutron.com/fabrics) for more information or download the Lutron Design Collections app from the App Store.



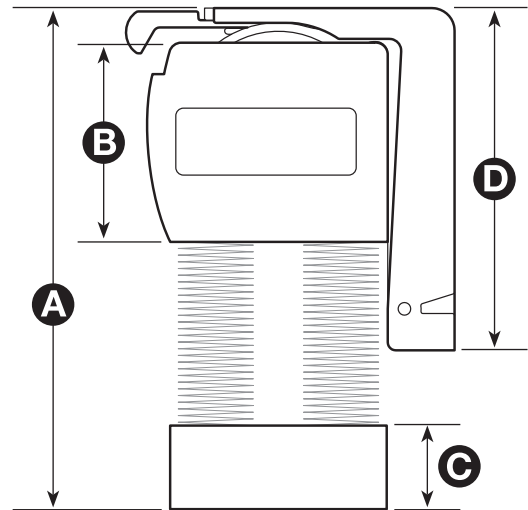
Use these stacking guidelines if you plan on installing your Serena insulating honeycomb shades in a place where you need to raise the entire shade above an obstacle (such as above doors that open). These guidelines will help you determine how high to mount your shade, so that the shade will clear the obstacle when it's fully raised.

**A = Stack height:** the total height of the fully raised shade from the top of the bracket to the bottom of the bottom rail

**B = 1 5/8 in. (42 mm)**—headrail height

**C = 5/8 in. (16 mm)**—bottom rail height

**D = 2 5/8 in. (67 mm)**—bracket height



**Dimensions for A**

Your Shade Height	Cyprus		Monaco and Rio			Designer Collections		
	Light-Filtering	Room-Darkening	Light-Filtering	Room-Darkening	Double-Cell	Napa	Sedona	Prague
<b>1 ft.</b>	2 3/4 in. (70mm)	2 7/8 in. (74mm)	2 7/8 in. (74mm)	2 7/8 in. (74mm)	3 1/8 in. (80mm)	3 in. (77mm)	2 3/4 in. (70mm)	2 3/4 in. (70mm)
<b>2 ft.</b>	3 in. (77mm)	3 in. (77mm)	3 1/8 in. (80mm)	3 1/8 in. (80mm)	3 1/2 in. (89mm)	3 3/8 in. (86mm)	2 7/8 in. (74mm)	3 in. (77mm)
<b>3 ft.</b>	3 1/8 in. (80mm)	3 1/4 in. (83mm)	3 3/8 in. (86mm)	3 3/8 in. (86mm)	3 7/8 in. (99mm)	3 3/4 in. (96mm)	3 1/8 in. (80mm)	3 1/4 in. (83mm)
<b>4 ft.</b>	3 3/8 in. (86mm)	3 3/8 in. (86mm)	3 5/8 in. (93mm)	3 5/8 in. (93mm)	4 1/4 in. (108mm)	4 1/8 in. (105mm)	3 1/4 in. (83mm)	3 1/2 in. (89mm)
<b>5 ft.</b>	3 5/8 in. (93mm)	3 5/8 in. (93mm)	3 7/8 in. (99mm)	3 7/8 in. (99mm)	4 5/8 in. (118mm)	4 1/2 in. (115mm)	3 1/2 in. (89mm)	3 3/4 in. (96mm)
<b>6 ft.</b>	3 3/4 in. (96mm)	3 3/4 in. (96mm)	4 1/8 in. (105mm)	4 in. (102mm)	5 in. (127mm)	4 3/4 in. (96mm)	3 5/8 in. (93mm)	4 in. (102mm)
<b>7 ft.</b>	4 in. (102mm)	4 in. (102mm)	4 3/8 in. (112mm)	4 1/4 in. (108mm)	5 1/4 in. (134mm)	5 1/8 in. (131mm)	3 3/4 in. (96mm)	4 1/4 in. (108mm)
<b>8 ft.</b>	4 1/8 in. (105mm)	4 1/8 in. (105mm)	4 5/8 in. (118mm)	4 1/2 in. (115mm)	5 5/8 in. (143mm)	5 1/2 in. (140mm)	4 in. (102mm)	4 1/2 in. (115mm)

Note: For fire-rated fabrics, add 10% to stack height.







Lutron proudly offers an extensive line of shading systems and corresponding controls that are manufactured in the United States, enabling compliance with the Buy American Act and the Buy American provision of the American Recovery and Reinvestment Act (ARRA). Visit [www.lutron.com/baa](http://www.lutron.com/baa) for the latest information.

**[www.lutron.com/shadingsolutions](http://www.lutron.com/shadingsolutions)**

Lutron Electronics Co., Inc.  
7200 Suter Road  
Coopersburg, PA 18036-1299  
U.S.A.

World Headquarters +1.610.282.3800

Barcelona | Beijing | Berlin | Hong Kong | London | Madrid | Mexico City |  
Milan | Paris | São Paulo | Shanghai | Singapore | Tokyo

Technical Support Center 1.800.523.9466  
Shades Customer Service (and Quotes) 1.800.446.1503  
Email: [shadingquotes@lutron.com](mailto:shadingquotes@lutron.com)  
[shadingcustsvc@lutron.com](mailto:shadingcustsvc@lutron.com)

© 06/2014 Lutron Electronics Co., Inc.  
P/N 367-1455 REV I

